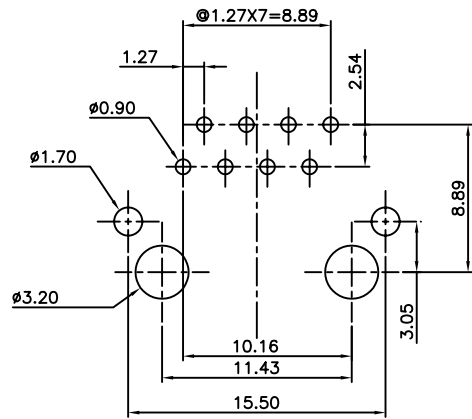
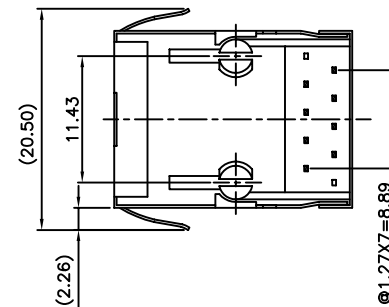
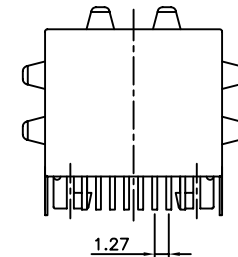
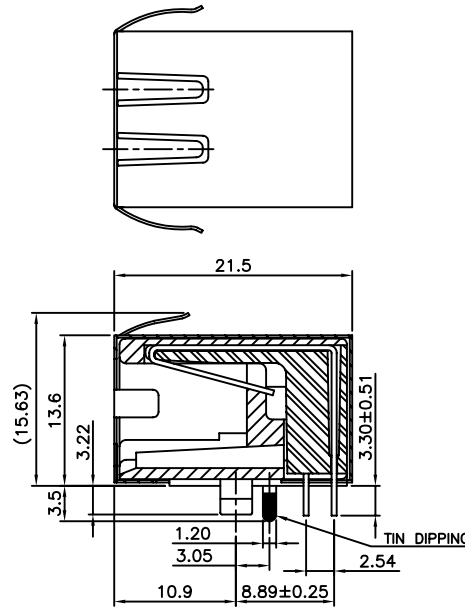
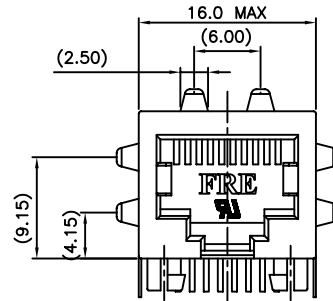


| REVISION RECORD | | |
|-----------------|-------------|------|
| REV | DESCRIPTION | DRFT |
| | | |



PC BOARD LAYOUT T=1.60mm
COMPONENT SIDE SHOWN
TOLERANCES ±0.05mm



NOTES:

ELECTRICAL:

- VOLTAGE RATING : 125 VAC RMS MIN.
- CURRENT RATING : 1.5 AMP MIN.
- CONTACT RESISTANCE : 45 MILLIOHMS MAX.
- INSULATION RESISTANCE: 1000 MEGOHMS MIN @ 500 VDC.
- DIELECTRIC STRENGTH : 1000 VDC RMS 60Hz, 1MIN.

MECHANICAL:

- HOUSING MATERIAL : GLASS FIBER FILLED NYLON. UL94V-0\BLACK.
- CONTACT MATERIAL : PHOSPHOR BRONZE t=0.35mm
- SHIELD MATERIAL : COPPER ALLOY WITH NICKEL PLATING.
- PLATING : GOLD PLATING OVER NICKEL.
- OPERATING LIFE : 750 CYCLES MIN.
- PCB RETENTION PRE-SOLDER : 1 LB MIN.
- PCB RETENTION POST-SOLDER: 10 LBS MIN.

ENVIRONMENTAL:

- STORAGE : -40°C TO +85°C.
- OPERATION: -40°C TO +85°C.
- WAVE SOLDER TEMPERATURE : 255°C~265°C (5~10 SECONDS).

MATES WITH MODULAR PLUG CONFORMING TO
FCC PART 68, SUBPART F.
CUL FILE NO. E163191

| | |
|----------------|------------|
| E5908-LEJ744-L | 30u" |
| PART NO. | Au PLATING |

| ← MM (INCH) → | | RoHS Compliant | Pulse Electronics | |
|----------------------------|---|-----------------------------|-------------------|---------|
| TOLERANCES EXCEPT AS NOTED | | CONTACT | | |
| MM | ± | TITLE | | |
| .0 ± 0.25 | ± | 20.57 PCB JACK 8P | | |
| .00 ± 0.20 | ± | DFTO : ELLA | | |
| .000 ± 0.10 | ± | DRAWING NO. CE5908-LEJ74X-L | | |
| ANGLES ± 1° | | DATE : 09/17/2012 | | |
| THIRD ANGLE PROJECTION | | /PART NO. E5908-LEJ744-L | | |
| | | SCALE : 2:1 | | SIZE A3 |
| | | DO NOT SCALE DRAWING | | REV 0 |
| | | SHEET 1 OF 1 | | |