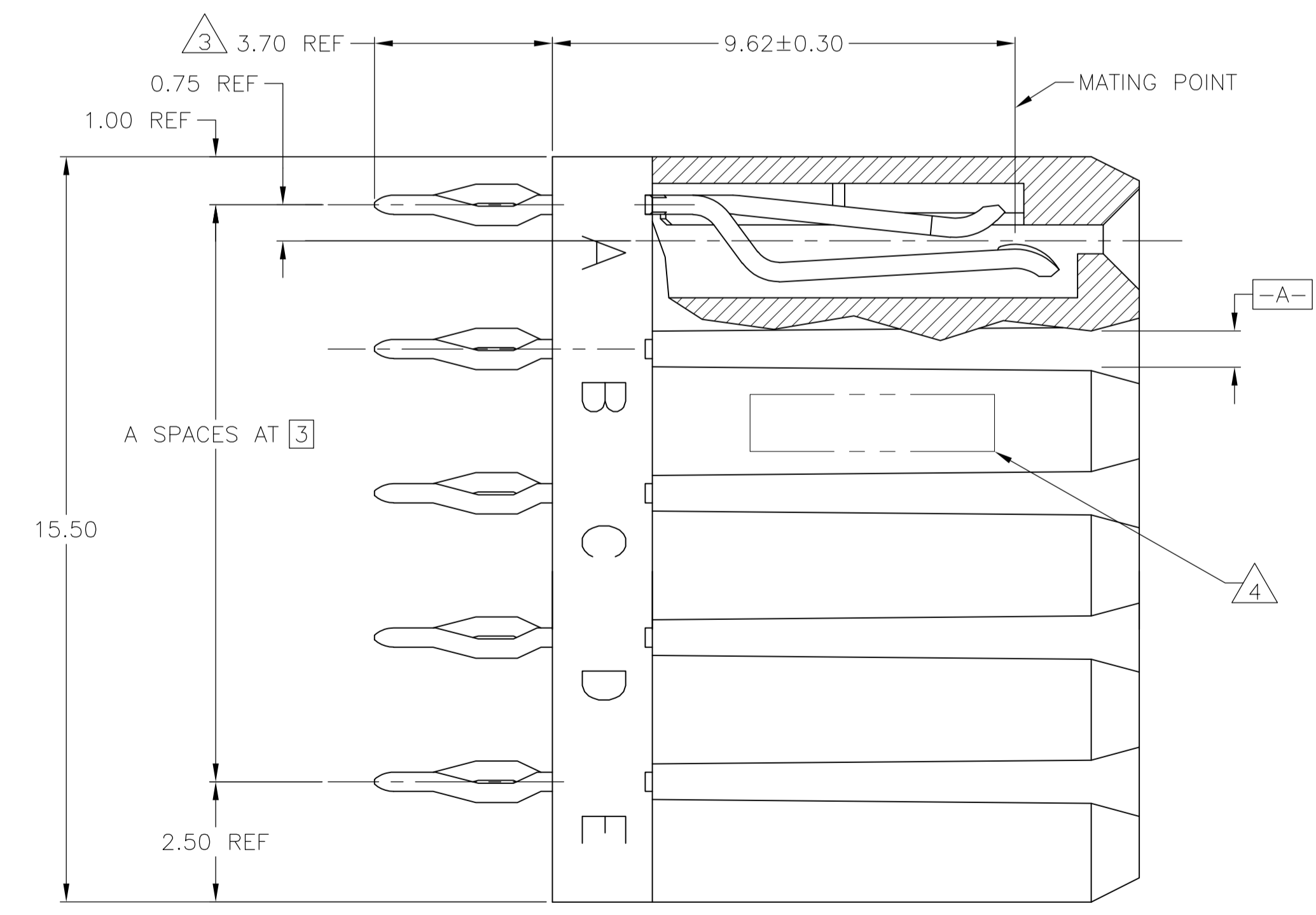
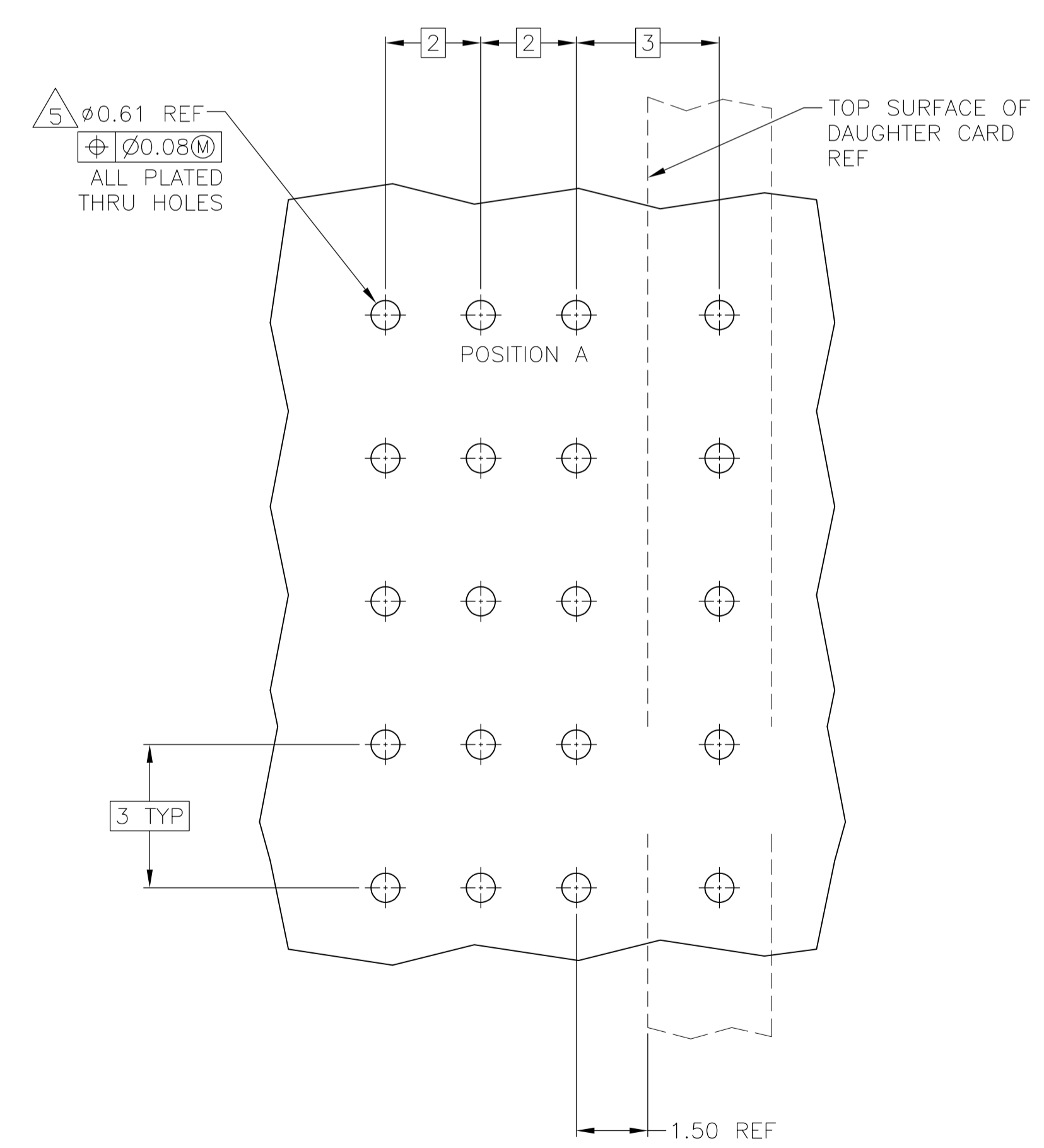
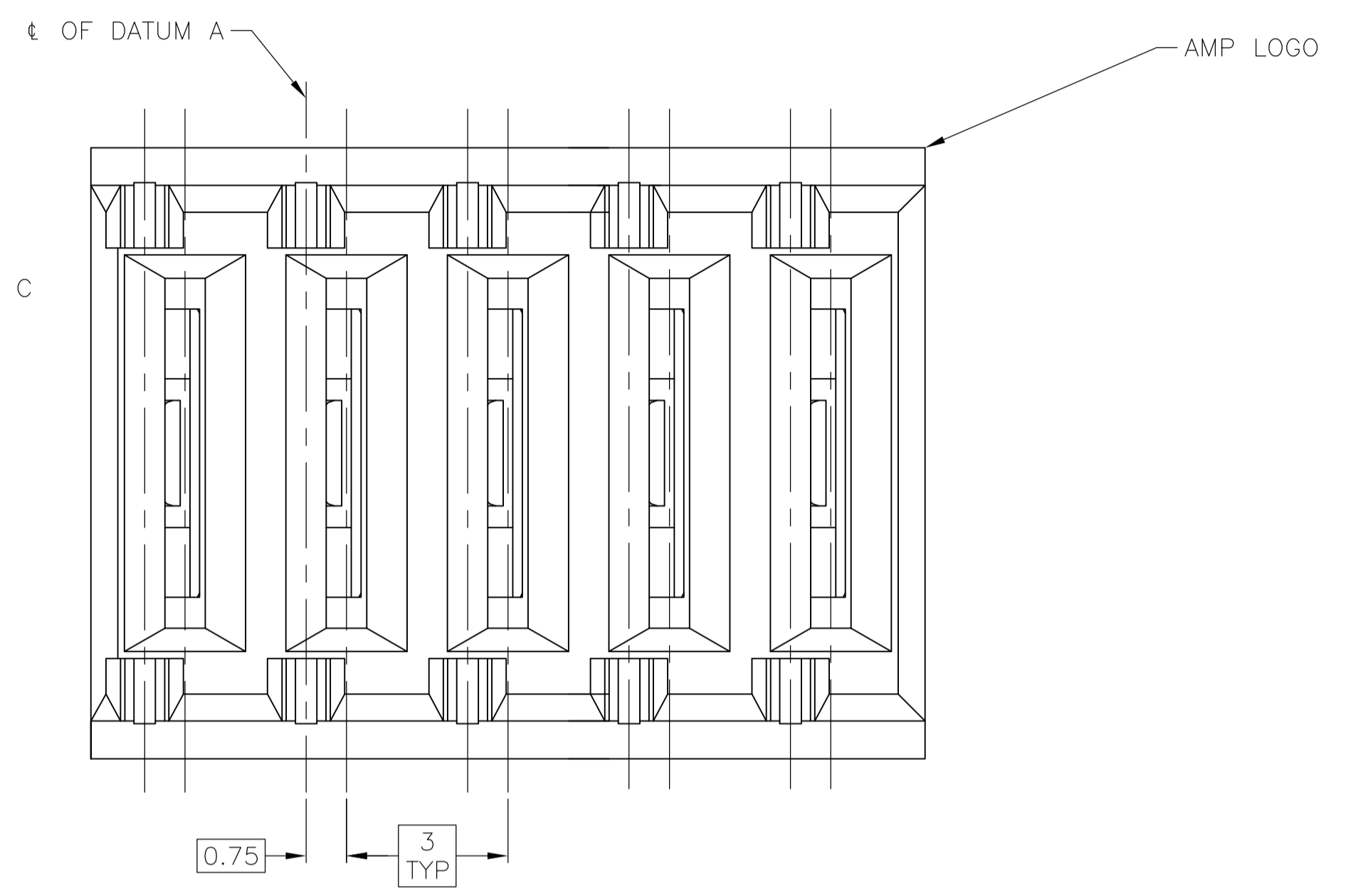
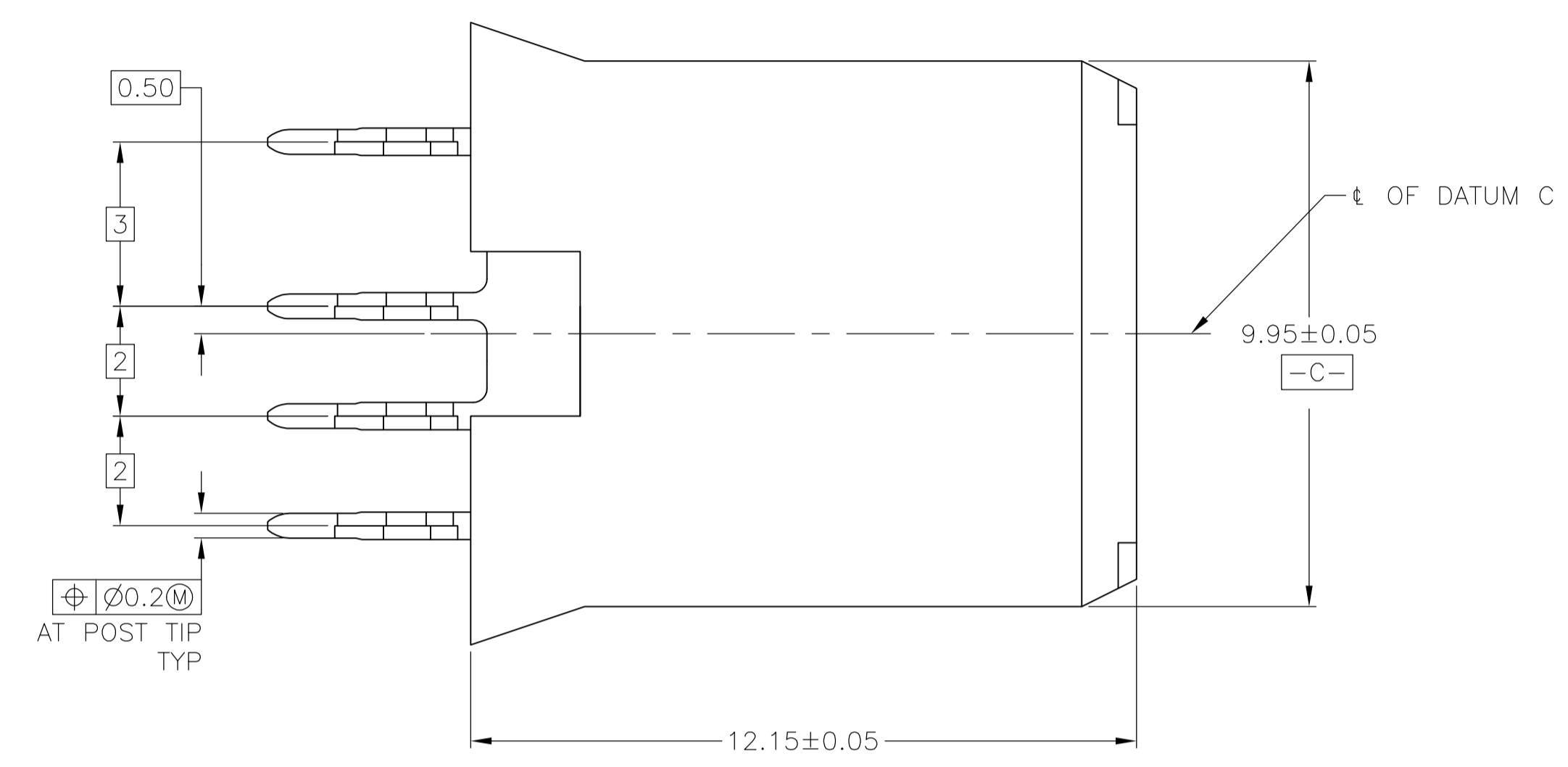
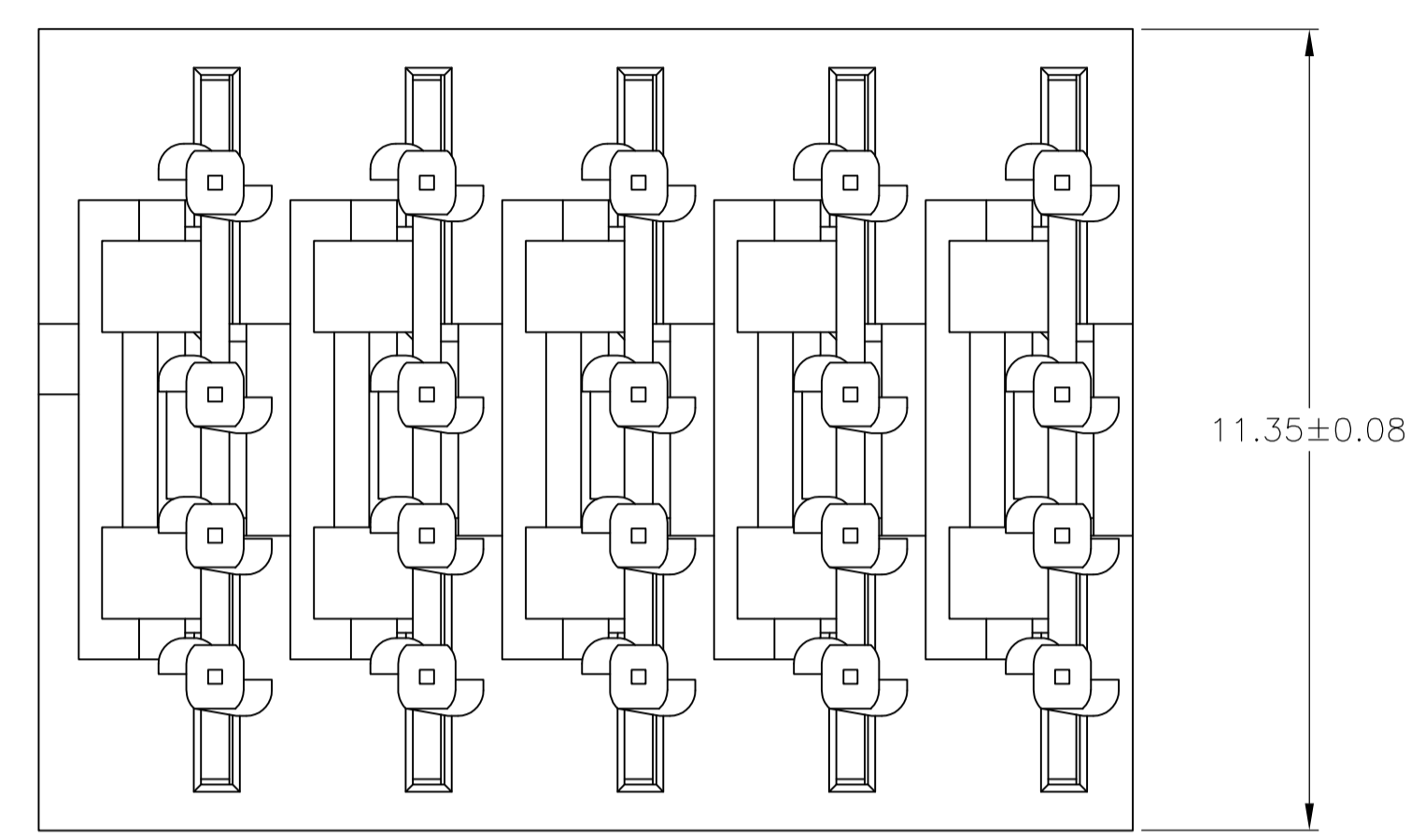


LOC		DIST		REVISIONS			
P	LTR	DESCRIPTION	DATE	DN	APVD		
A		RELEASED	02SEP09	DH	DY		

- 1 MATERIAL: HOUSING : POLYESTER, GRAY. UL 94V-0.
CONTACT: HIGH CURRENT COPPER ALLOY.
- 2 FINISH: CONTACT MATING AREA: 1.27µm MIN GOLD.
ACTION PIN AREA, 0.5µm MIN MATTE TIN PLATE,
ALL OVER 1.27µm MIN NICKEL UNDERPLATE.
- 3 TOLERANCE TO BE ±0.28 AFTER CONNECTOR IS APPLIED TO PC BOARD.
- 4 DATE CODE THIS APPROXIMATE AREA, OPPOSITE SIDE.
- 5 REFERENCE APPLICATION SPEC 114-1103 FOR RECOMMENDED
PLATED THRU HOLE DIAMETER AND PLATING THICKNESS.
- 6. CURRENT RATING 16A/CONTACT PER PRODUCT SPEC 108-1651.



RECOMMENDED PCB HOLE LAYOUT

5	4	1645527-2
POSITION	A	PART NUMBER

THIS DRAWING IS A CONTROLLED DOCUMENT.		DIN D. HUMBERT 14AUG2009		Tyco Electronics Corporation	
DIMENSIONS: mm		CHK D.YI 14AUG2009		Tyco Electronics Harrisburg, Pa 17105-3608	
TOLERANCES UNLESS OTHERWISE SPECIFIED:		APP'D D.YI 14AUG2009		NAME	
0. PLC	± -	PRODUCT SPEC		RECEPTACLE ASSEMBLY, UNIVERSAL POWER MODULE	
1. PLC	± -	APPLICATION SPEC		SIZE CASE CODE DRAWING NO	
2. PLC	± 0.13	WEIGHT		A1 00779 C=1645527	
3. PLC	± -	CUSTOMER DRAWING		SCALE 10:1 SHEET 1 OF 1 REV A	
4. PLC	± -				
ANGLES	± -				