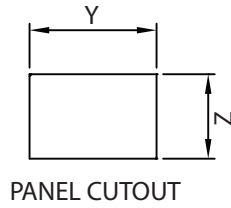


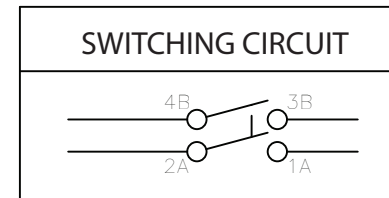
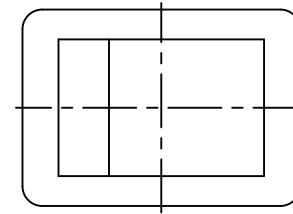
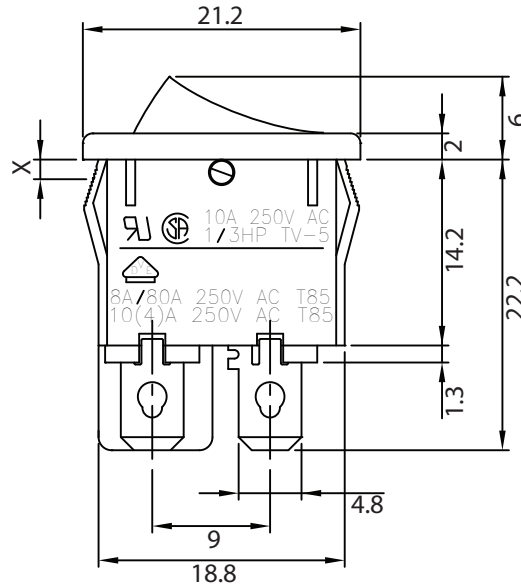
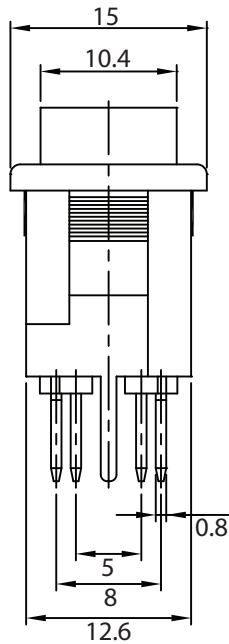
THESE DRAWINGS ARE THE PROPERTY OF QUALTEK ELECTRONICS AND NOT TO BE REPRODUCED FOR OR COMMUNICATED TO A THIRD PARTY WITHOUT THE EXPRESS WRITTEN PERMISSION OF AN OFFICER OF QUALTEK ELECTRONICS.

REVISION			
REV.	DESCRIPTION	DATE	APPROVED
B	RoHS Compliancy	06-01-06	DP

PANEL CUTOUT DIMENSION TABLE



X(PANEL THICKNESS)	Y(CUTOUT DIMENSION)	Z(CUTOUT DIMENSION)
0.75 ~ 1.25mm	19.2 ± _{0.1} ⁰ mm	12.9 ± ₀ ^{0.15} mm
1.25 ~ 2.0mm	19.4 ± _{0.1} ⁰ mm	12.9 ± ₀ ^{0.15} mm
2.0 ~ 3.0mm	19.8 ± _{0.1} ⁰ mm	12.9 ± ₀ ^{0.15} mm



CONTROLLED

NOTES:

RATING:

UL, CSA: 10A 250V AC, TV-5, 1/3HP

VDE: 10(4)A 250V AC T85 8A/80A 250VAC T85

DIELECTRIC STRENGTH: 1000V AC ONE MINUTE

INSULATION RESISTANCE: 100M OHM (MIN)

APPROVALS: UL, CSA, VDE

RoHS COMPLIANT

Dim range (mm)	Tolerance +/- (mm)	Qualtek Electronics Corp. PPC DIVISION		
		Part Number: 737W-B/01	RoHS Compliant	
0-1	0.15	Description: ROCKER SWITCH		
1-6	0.20			
6-18	0.30			
18-50	0.50			
50-120	0.70			
120-250	0.90	UNIT: mm	REV. B	
250-500	1.20	Drawn / Date	Checked / Date	Approved / Date
		K. HUANG 11-21-98	11-21-98	JJH / 11-21-98