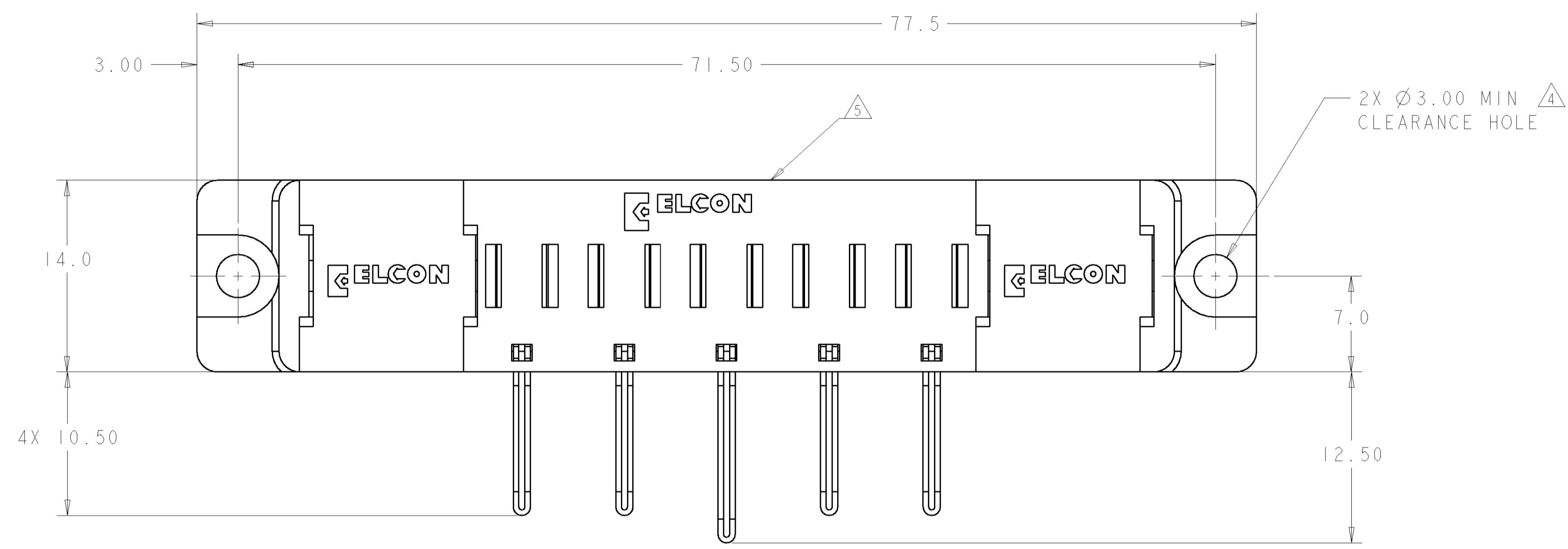


LOC	DIST	REVISIONS					
GP	00	P	LTR	DESCRIPTION	DATE	DWN	APVD
		A		NEW RELEASE	15AUG2007	RG	PD



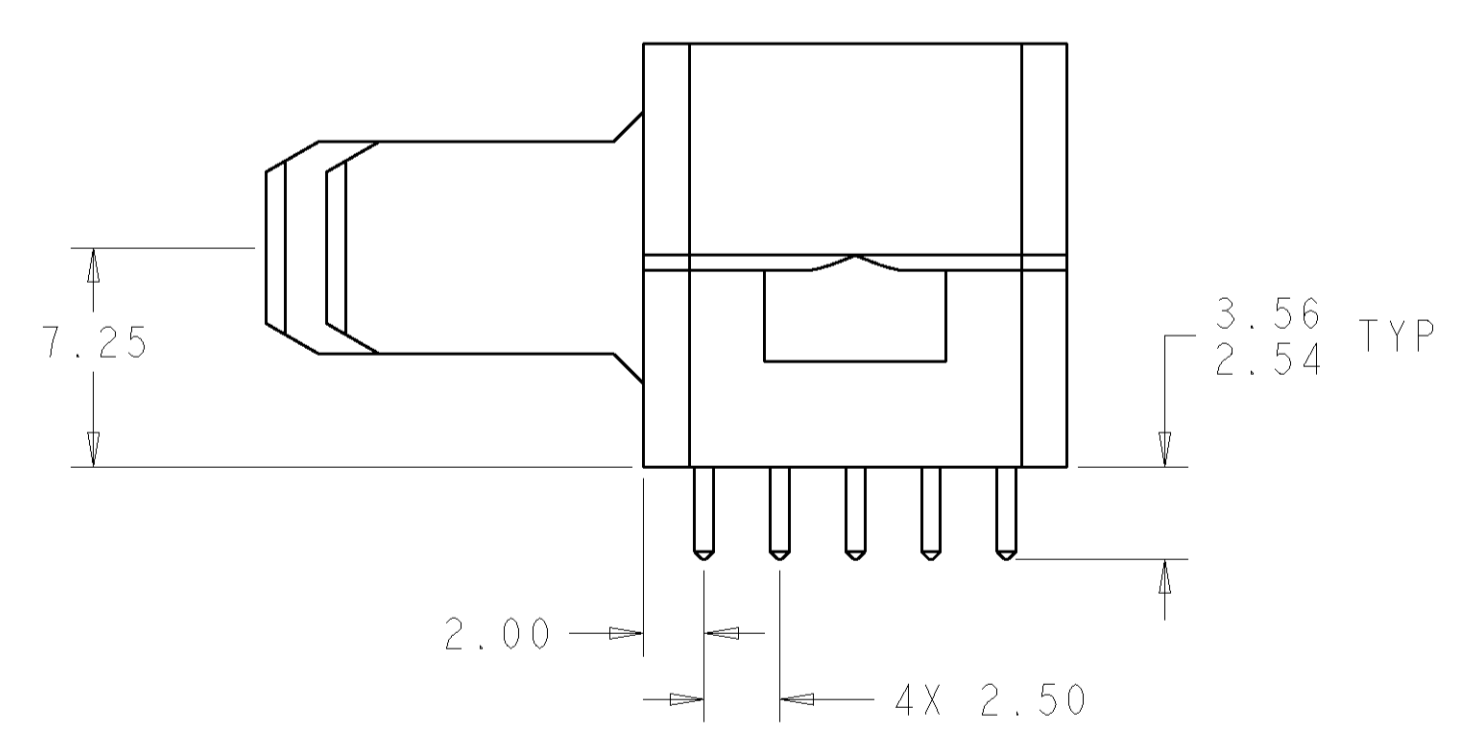
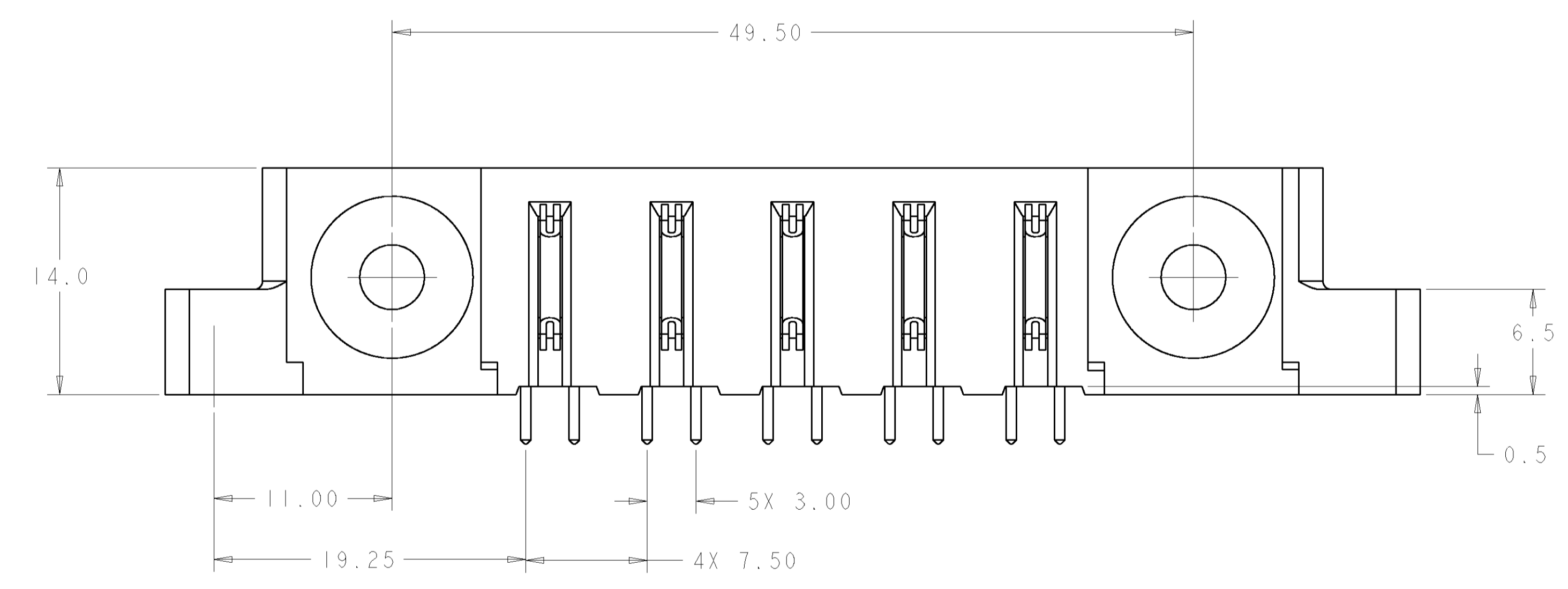
- PART NUMBER CHANGES AND OR DESIGN CHANGES AFFECTING ITEM INTERCHANGEABILITY REQUIRE PRIOR TYCO ELECTRONICS APPROVAL AND AUTHORIZATION BY REVISION TO THIS DRAWING.
- MATERIAL:
 INSULATORS - THERMOPLASTIC, GLASS REINFORCED,
 COLOR: BLACK, UL94V-0 FLAMMABILITY RATED.
 POWER CONTACTS - PHOSPHOR BRONZE ALLOY,
 COPPER ALLOY
 CROWN BAND-BERYLLIUM COPPER ALLOY
- FINISH:
 CONTACTS - GOLD PLATE .76µM MIN. THK., OVER NICKEL
 1.27µM MIN. THK
 SOLDER TAILS, TIN 3.05µM MIN. THK.
 OVER NICKEL 1.27µM MIN THK.

- △ MOUNTING FLANGES ACCEPT M3 OR #4-40 SCREWS, (USER SUPPLIED)
- △ ITEMS PROVIDED TO THIS SPECIFICATION TO BE PERMANENTLY IDENTIFIED PER THE FOLLOWING IDENTIFIER LABEL

YEAR WEEK

TYCO ELECTRONICS P/N DATE CODE (e.g. 0T06)

XXXXXXX-X XXXX

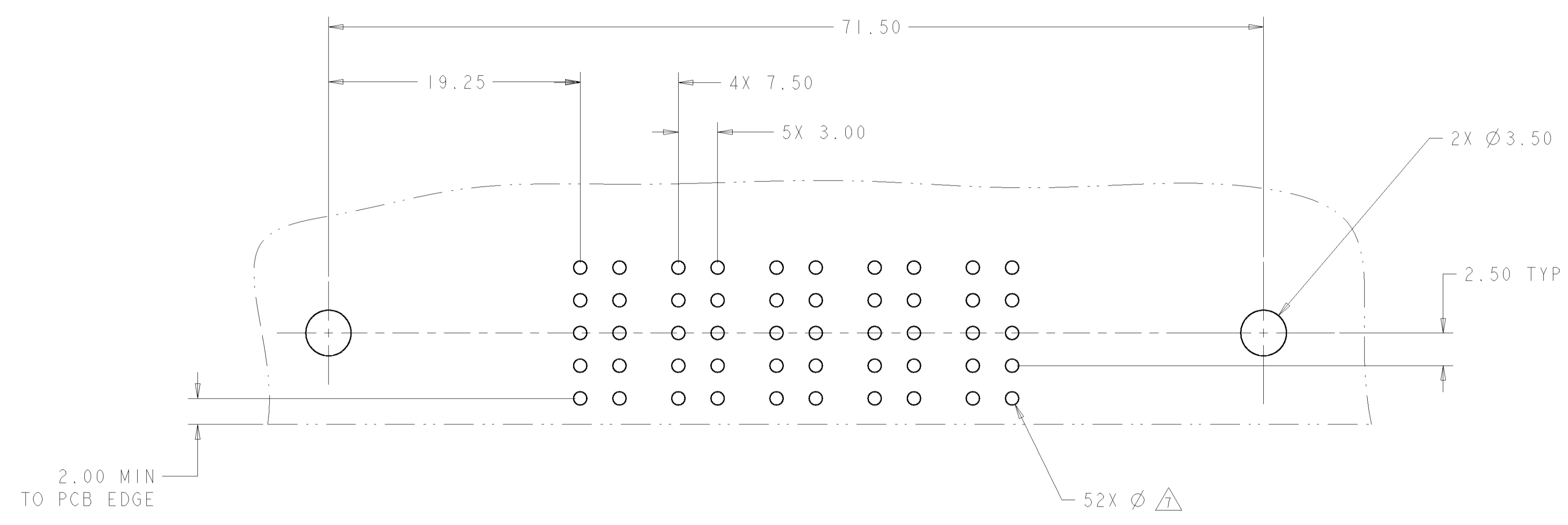


ELCON FLATPAQ

AS SHOWN	6646953-1
DESCRIPTION	PART NUMBER

DIMENSIONS: mm 		TOLERANCES UNLESS OTHERWISE SPECIFIED: 0 PLC ±.5 1 PLC ±.5 2 PLC ±.25 3 PLC ±.25 4 PLC ±.25 ANGLES ±.3 FINISH		DWN R. GRZYBOWSKI 15AUG2007 ENR P. DAMATO 15AUG2007 APVD S. FLICKINGER 15AUG2007		Tyco Electronics Harrisburg, PA 17105-3608	
MATERIAL: - FINISH: -		WEIGHT: - CUSTOMER DRAWING		NAME: PIN CONNECTOR, RIGHT ANGLE SOLDER TAILS FLATPAQ		SIZE: A 00779 C=6646953 SCALE: 4:1 SHEET 1 OF 3 REV A	

LOC	DIST	P	LTR	DESCRIPTION	DATE	DRN	APVD
GP	00	-	-	SEE SHEET 1	-	-	-



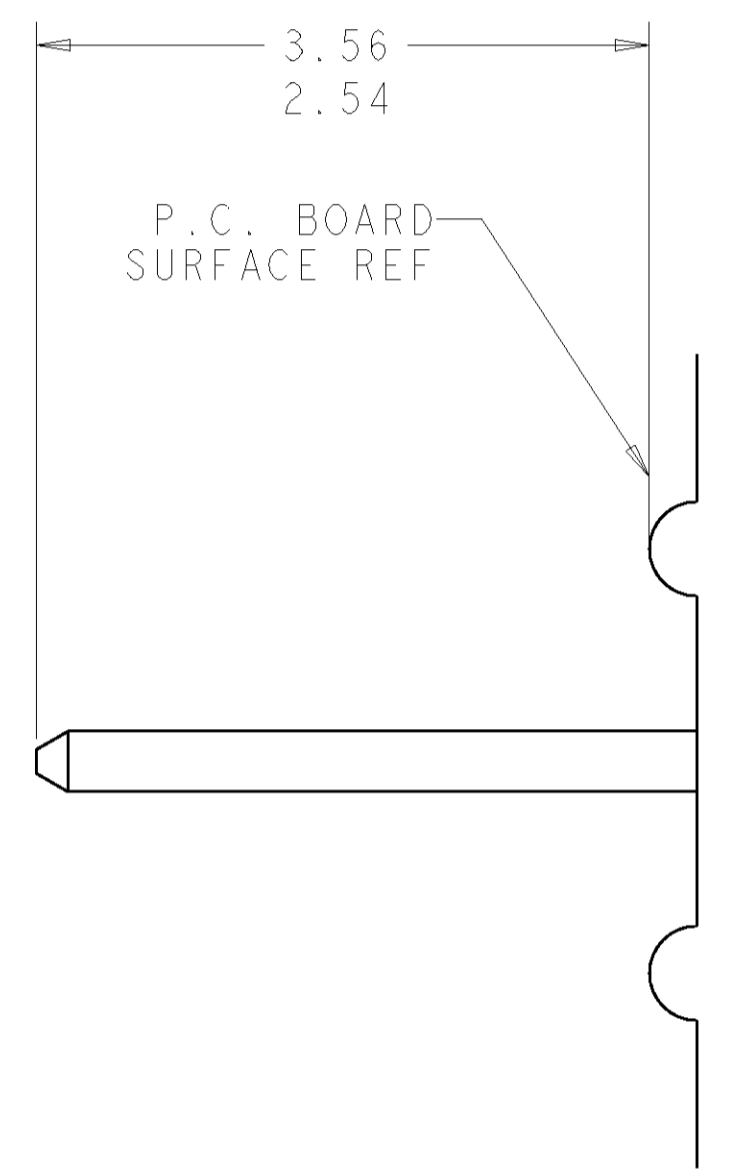
PRINTED CIRCUIT LAYOUT
 COMPONENT SIDE

CONNECTOR	EQUIVALENT CATALOG MODULE #	MODULE QTY	CONTACT QTY	SIZE NO.	MATING PIN	MAX. CURRENT (PER CONTACT)	CONTACT SPACING	VOLTAGE RATING
PIN	FP105	4	4	8	1.25 X 7.00 [.049 X .276]	35 amps	7.50 [.2953]	250 VOLTS
	FP106	1	1	8	1.25 X 7.00 [.049 X .276]	35 amps	7.50 [.2953]	250 VOLTS
	FP506	1	-	-	RIGHT ANGLE GUIDE SOCKET			
	FP500	1	-	-	LEFT MOUNTING FLANGE			
	FP501	1	-	-	RIGHT MOUNTING FLANGE			

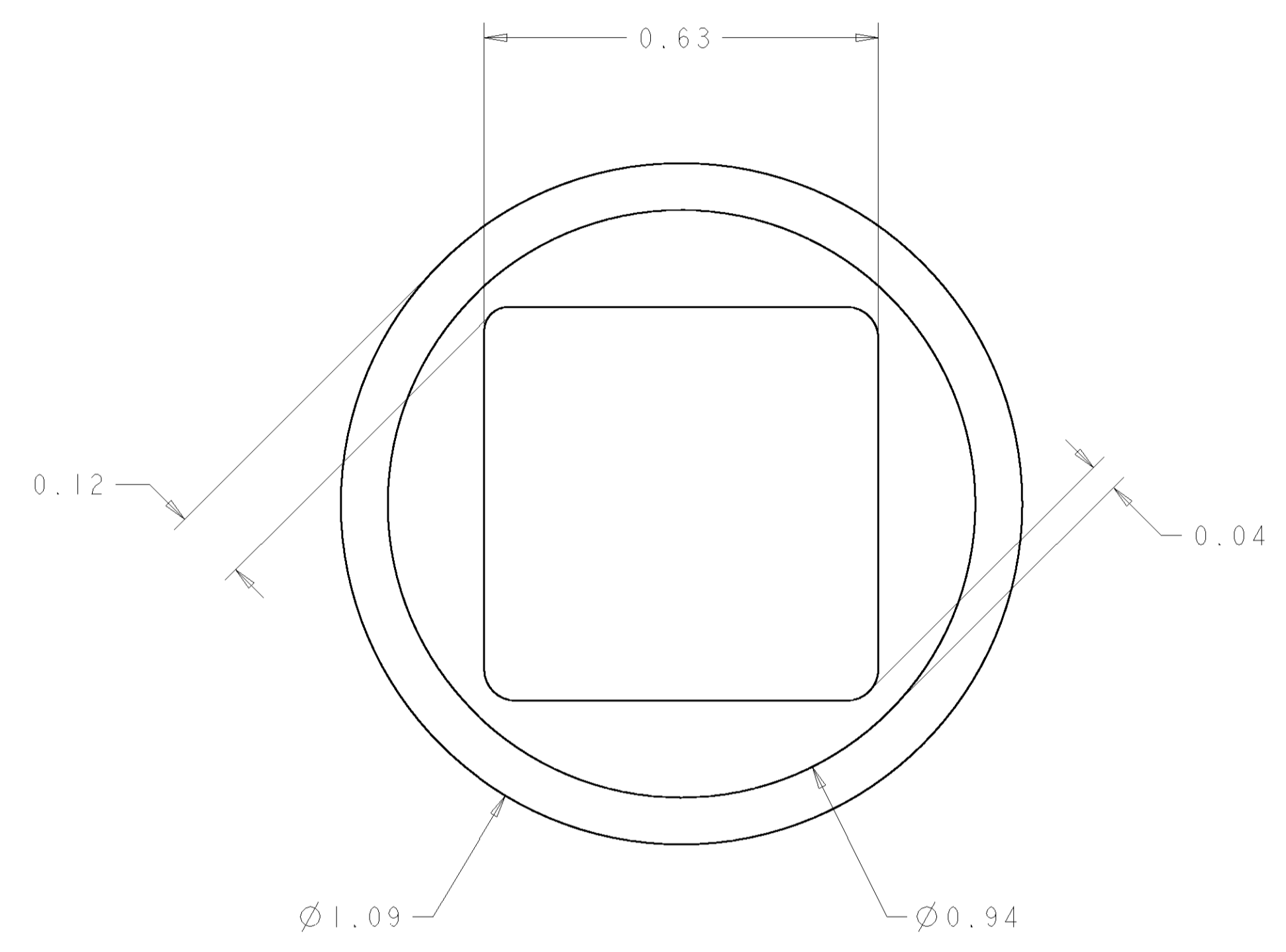
TYCO ELECTRONICS CORPORATION
 THE INFORMATION CONTAINED HEREIN IS UNCLASSIFIED EXCEPT WHERE SHOWN OTHERWISE
 DATE OF DECLASSIFICATION IS INDEFINITE

DRAWN: B. GRZYBOWSKI	DATE: 15AUG2007	Tyco Electronics Harrisburg, PA 17105-3608
CHKD: P. DAMATO	DATE: 15AUG2007	
APVD: S. FLICKINGER	NAME: PIN CONNECTOR, RIGHT ANGLE SOLDER TAILS FLATPAQ	RESTRICTED TO:
DIMENSIONS: mm	TOLERANCES UNLESS OTHERWISE SPECIFIED:	SIZE: A 00779 C=6646953
0 PLC ±.5	1 PLC ±.5	SCALE: 4:1
2 PLC ±.25	3 PLC ±.25	SHEET: 2 OF 3
4 PLC ±.25	ANGLES ±.5	REV: A
MATERIAL: -	FINISH: -	CUSTOMER DRAWING

LOC	DIST	REVISIONS					
GP	00	P.	LTR	DESCRIPTION	DATE	DWN	APVD
-	-	-	-	SEE SHEET 1	-	-	-



6. SOLDER PIN DETAIL
SCALE 10:1



△ SOLDER TERMINATION AREA
SCALE 40:1
RECOMMENDED PRINTED CIRCUIT SOLDER HOLE
FINISHED HOLE: Ø1.02 [.040] ±.08 [.003]
DRILLED HOLE: Ø1.15 [.0453] ±.013 [.0005]
COPPER PLATE: .025 [.0010] MIN.
TIN PLATE: .008 [.0003] MIN. (PER SURFACE)

<small>THIS DRAWING IS UNPUBLISHED. RELEASED FOR PUBLICATION. THE INFORMATION CONTAINED HEREIN IS UNCLASSIFIED EXCEPT WHERE SHOWN OTHERWISE. IT IS THE PROPERTY OF TYCO ELECTRONICS CORPORATION AND IS TO BE CONTROLLED AND DISTRIBUTED IN ACCORDANCE WITH THE COMPANY'S POLICY.</small>		DWN B. GRZYBOWSKI 15AUG2007 CHK P. DAMATO 15AUG2007 APVD S. FLICKINGER 15AUG2007	Tyco Electronics Harrisburg, PA 17105-3608
DIMENSIONS: mm 	TOLERANCES UNLESS OTHERWISE SPECIFIED: 0 PLC ±.5 1 PLC ±.5 2 PLC ±.25 3 PLC ±.25 4 PLC ±.25 ANGLES ±.1 FINISH	NAME PIN CONNECTOR, RIGHT ANGLE SOLDER TAILS FLATPAQ PRODUCT SPEC - APPLICATION SPEC - WEIGHT - CUSTOMER DRAWING	SIZE A CAGE CODE 6646953 DRAWING NO 6646953 RESTRICTED TO - SCALE 4:1 SHEET 3 OF 3 REV A