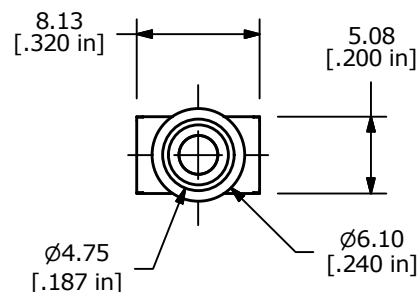
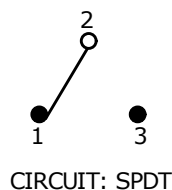


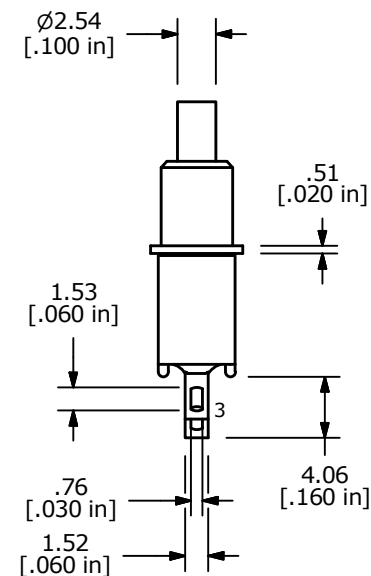
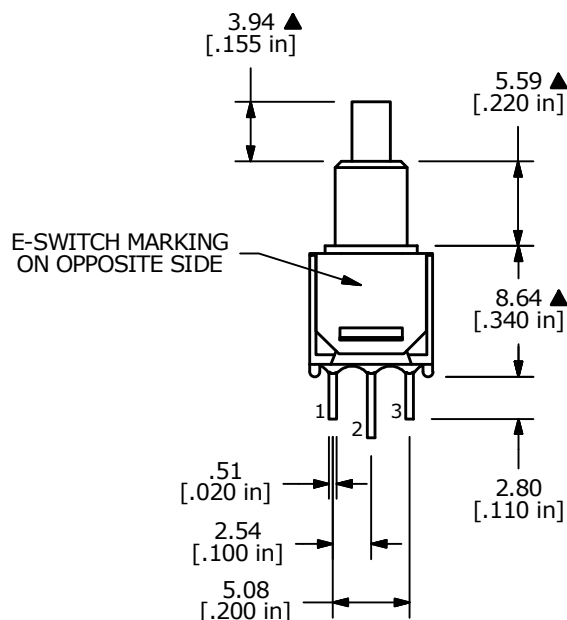
PANEL MOUNTING



SWITCH FUNCTION	
POS. 1	POS. 2
ON	(ON)
2-1	2-3
(ON)=MOMENTARY	



- NOTE:
- ALL DIMENSIONS IN MM [INCH]
 - GENERAL TOLERANCE: X.X=±0.4
X.XX=±0.25
 - TERMINAL NUMBERS FOR REF ONLY
 - CONTACT MATERIAL: SILVER
 - RATING: 1A @ 250 VAC
3A @ 120 VAC OR 28 VDC
 - MECHANICAL LIFE: 50,000 MAKE-AND-BREAK CYCLES
 - CONTACT RESISTANCE: 20 mΩ MAX. INITIAL @ 2-4VDC
100mA FOR BOTH GOLD AND SILVER CONTACTS
 - INSULATION RESISTANCE: 1,000 MEGA-OHM MIN.
 - DIELECTRIC STRENGTH: 1,000 V RMS @SEA LEVEL.
 - OPERATING TEMP.: -30°C to 85°C
 - ▲ DENOTES CRITICAL PARAMETER.
 - 2002/95/EC (ROHS) COMPLIANT



E-SWITCH MARKING
ON OPPOSITE SIDE

D	21937	Correct Switch Function Diagram	7/31/15	MW
C	21901	PANEL MNT. DIM. TO Ø 4.88	7/14/15	MW
B	20023	REVISED AND REDRAWN	06/23/11	BMA
REV	PCR NO	DESCRIPTION	DATE	BY

TITLE 800SP8B7M1QE				
SCALE	DATE	DR	DWG	REV
2:1	6/23/2011	BMA	T822015	D

THE INFORMATION CONTAINED IN THIS DOCUMENT IS PROPRIETARY TO E-SWITCH AND IS NOT TO BE COPIED OR TRANSFERRED