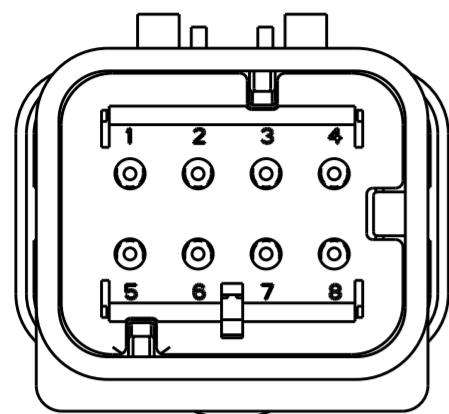
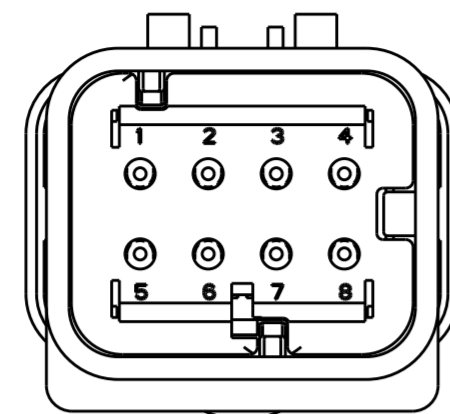


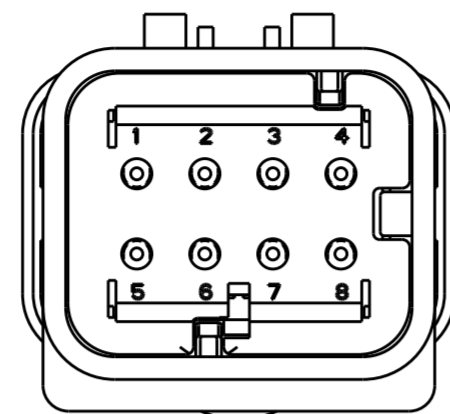
REVISIONS				
P	LTR	DESCRIPTION	DATE	APVD
C	I	REVISED PER ECR-10-019377	04OCT2010	HMR T.M
D		REVISED PER ECR-14-000206	26DEC2013	DR RB



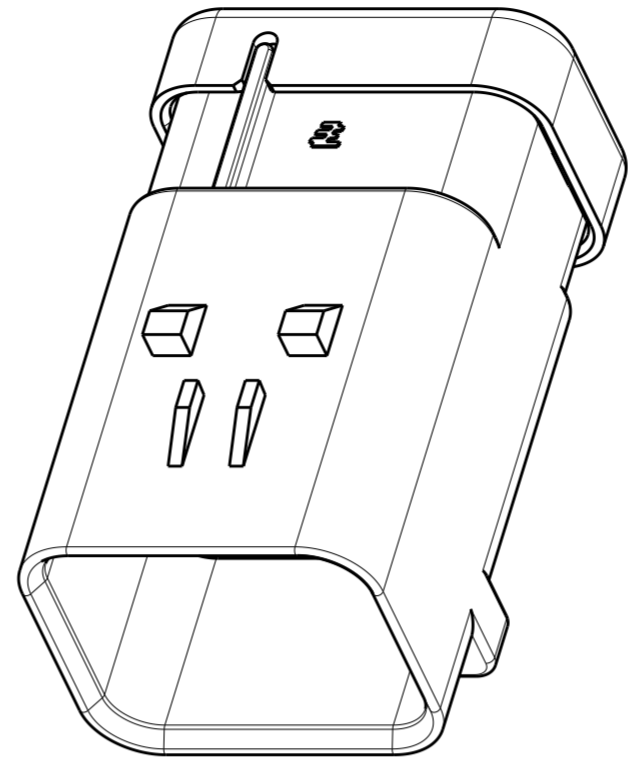
1871415-2
SCALE 2:1



1871415-3
SCALE 2:1



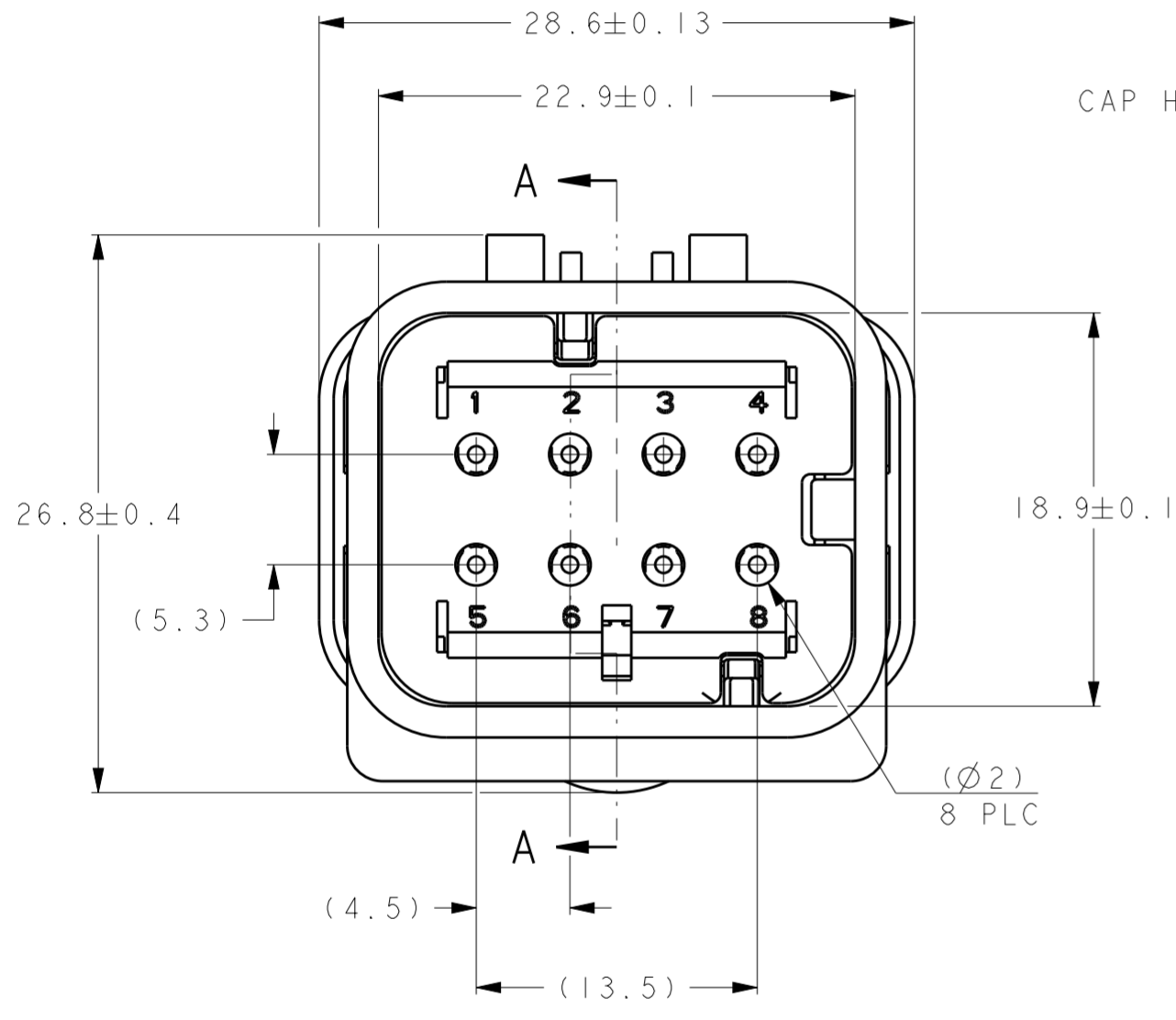
1871415-4
SCALE 2:1



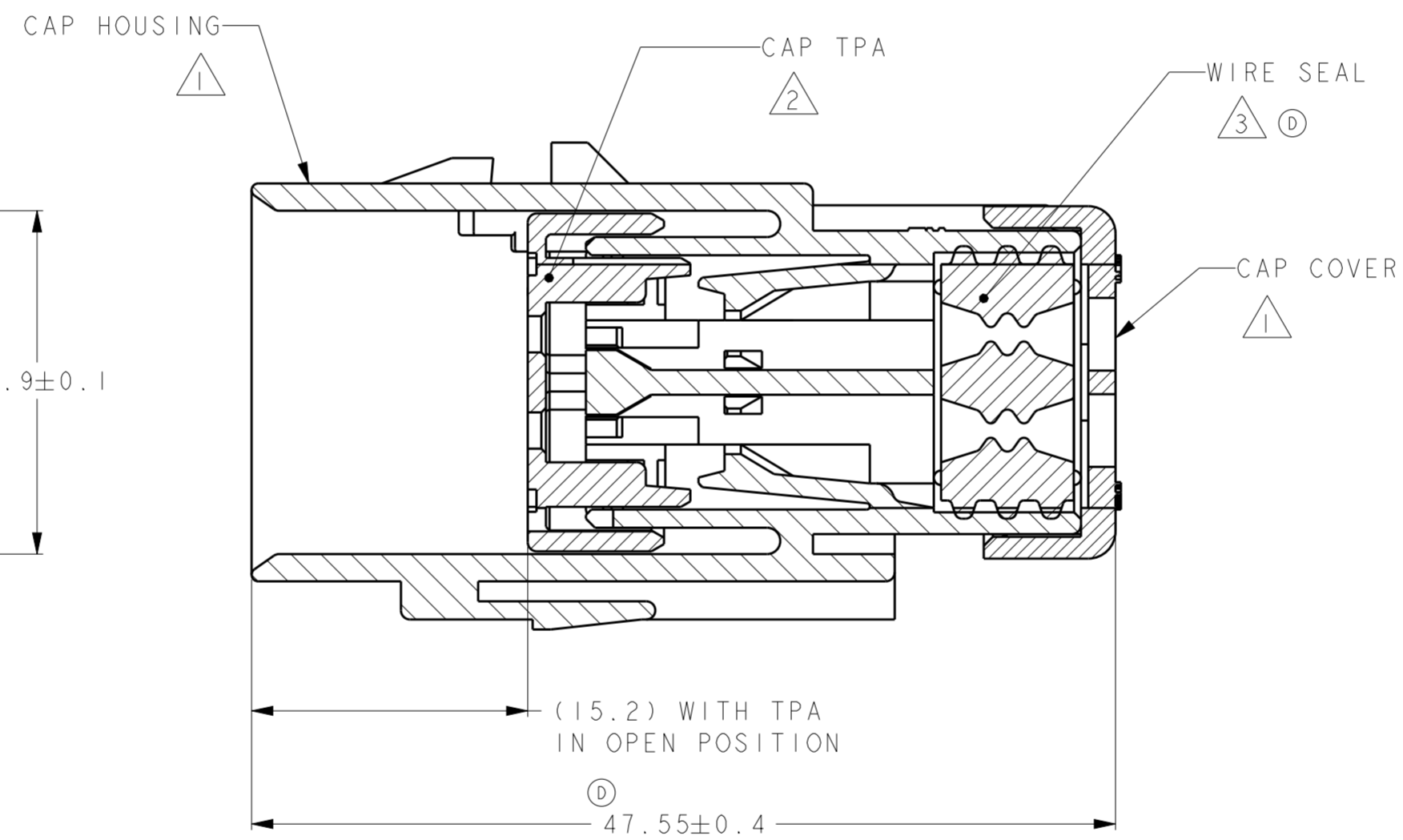
SCALE 2:1

- ① MATERIAL: 15% GLASS FILLED THERMOPLASTIC
COLOR: BLACK
- ② MATERIAL: 15% GLASS FILLED THERMOPLASTIC
COLOR: (SEE TABLE)
- ③ MATERIAL: SILICONE
COLOR: RUST

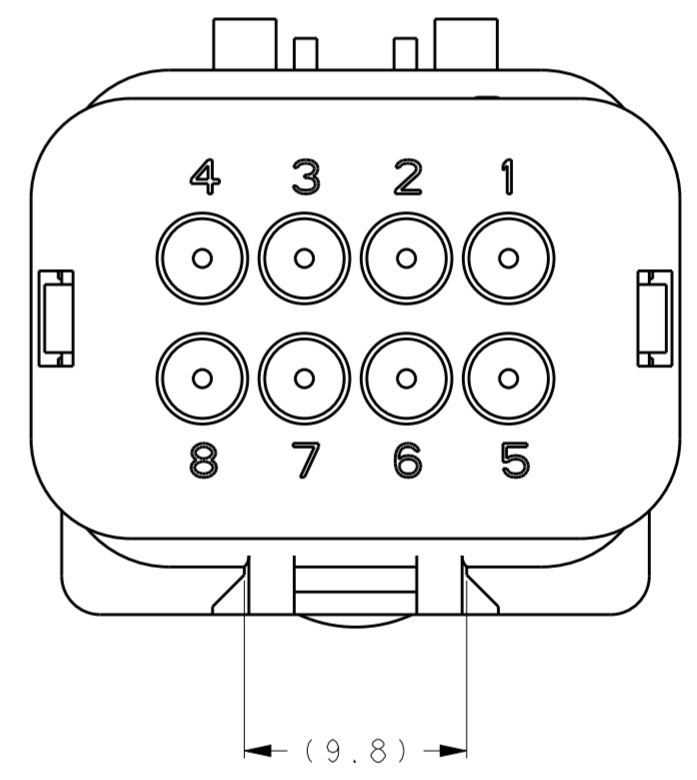
4. WIRE INSULATION RANGE: $\varnothing 1.3 \sim \varnothing 2.3$



1871415-1 SHOWN



A - A
OPEN POSITION



GREEN	1717676-4
YELLOW	1717676-3
GRAY	1717676-2
RED	1717676-1
TPA COLOR	PART NUMBER

THIS DRAWING IS A CONTROLLED DOCUMENT.		DWN Y. KATO 15JAN2004	STE TE Connectivity	
DIMENSIONS: mm		CHK S. MANABE 15JAN2004		
TOLERANCES UNLESS OTHERWISE SPECIFIED:		APVD S. MANABE 15JAN2004	NAME CAP ASSY, 8 POS. BRACKET REVERSE TYPE AMP SEAL 16	
0 PLC ±		PRODUCT SPEC 108-2184	SIZE CAGE CODE DRAWING NO A200779 C-1871415	
1 PLC ±		APPLICATION SPEC 114-13065	RESTRICTED TO	
2 PLC ±		WEIGHT	SCALE 3:1 SHEET OF REV D	
3 PLC ±		Customer Drawing		
4 PLC ±				
ANGLES ±				
FINISH				