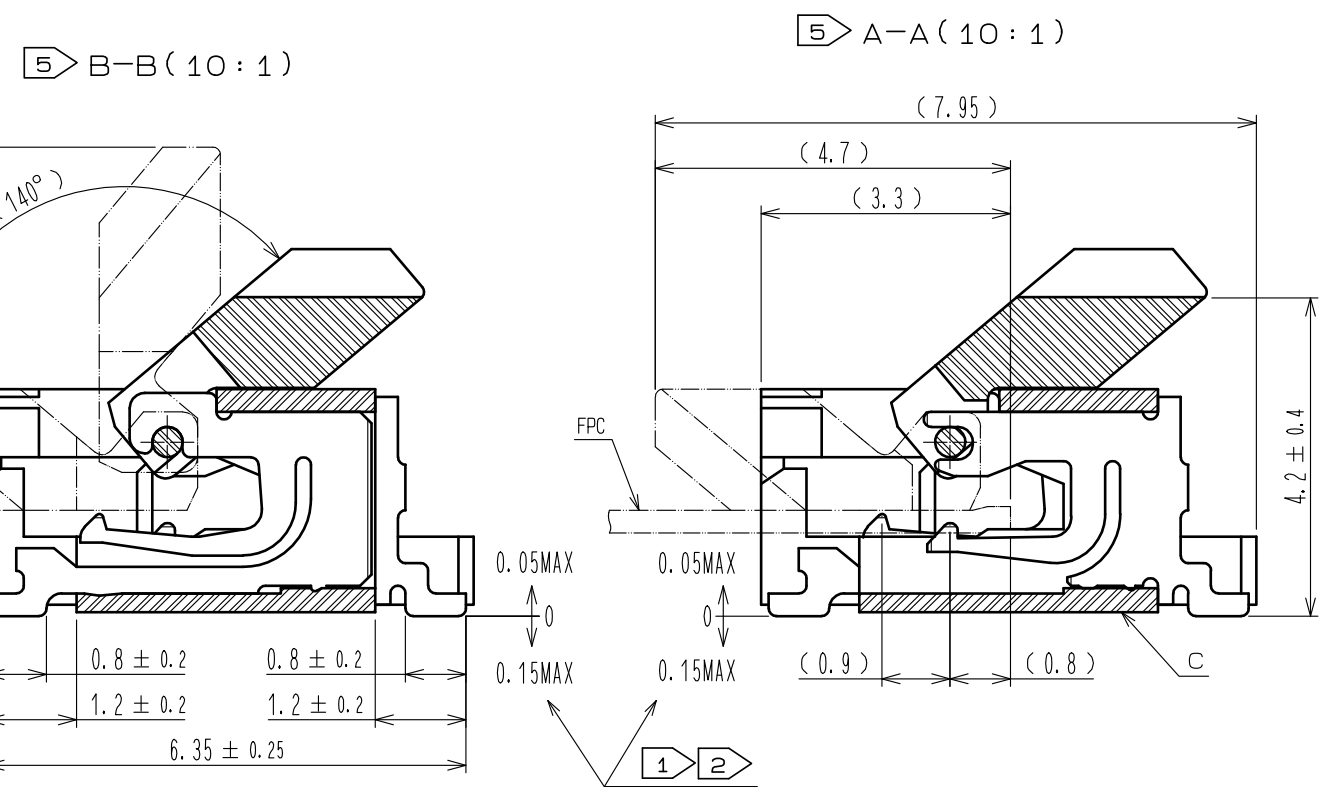
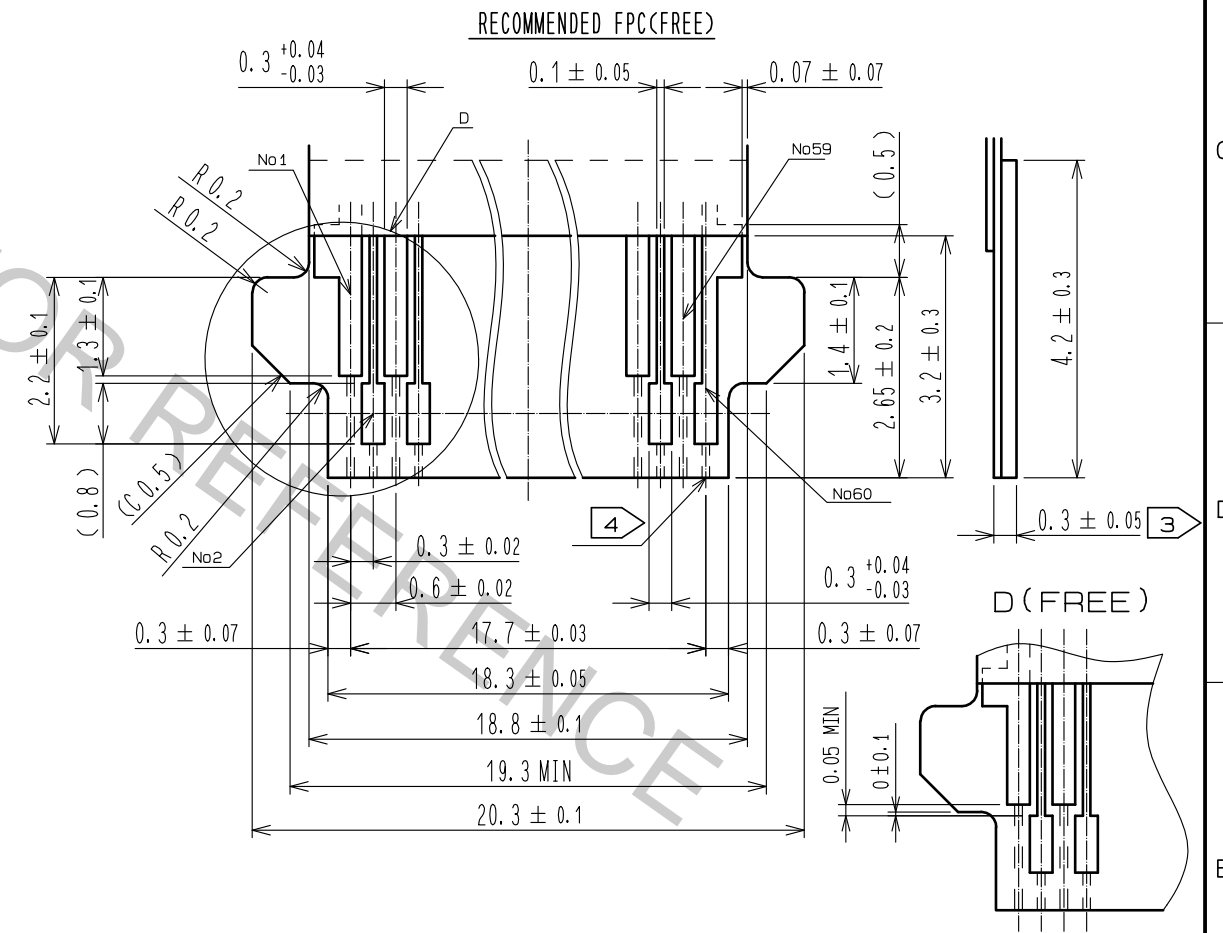
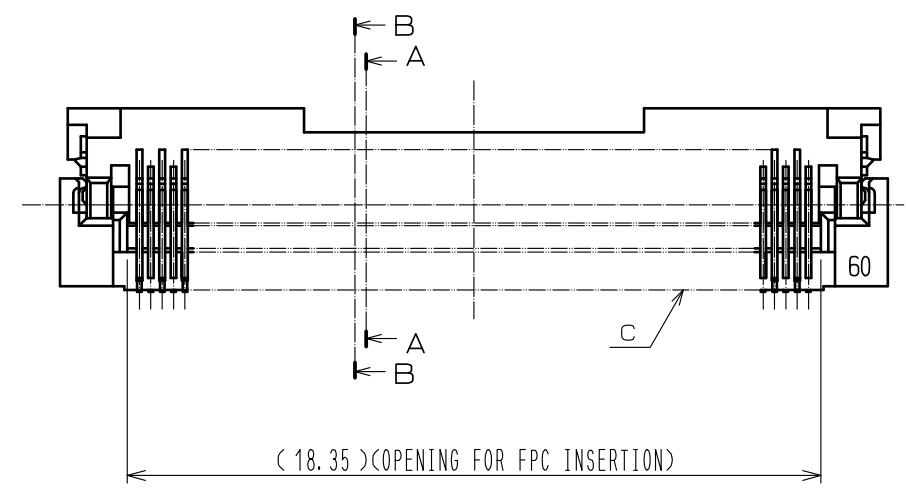
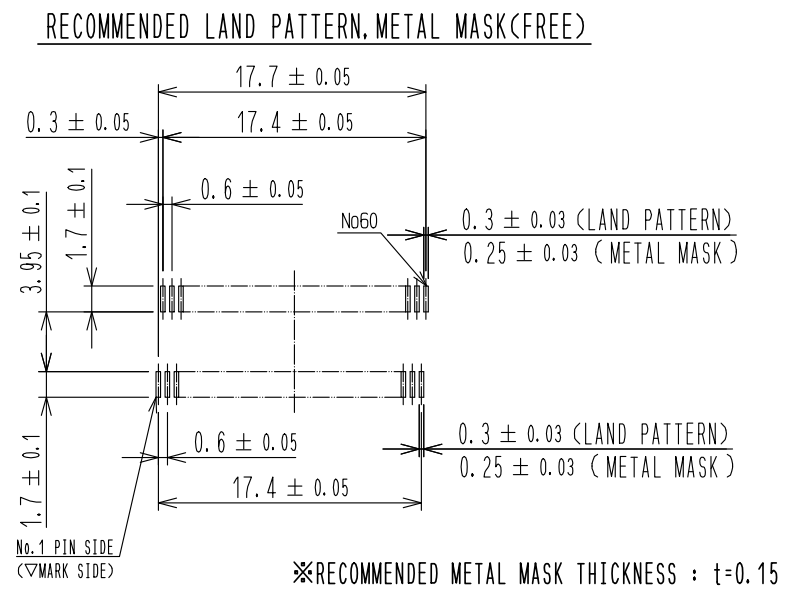


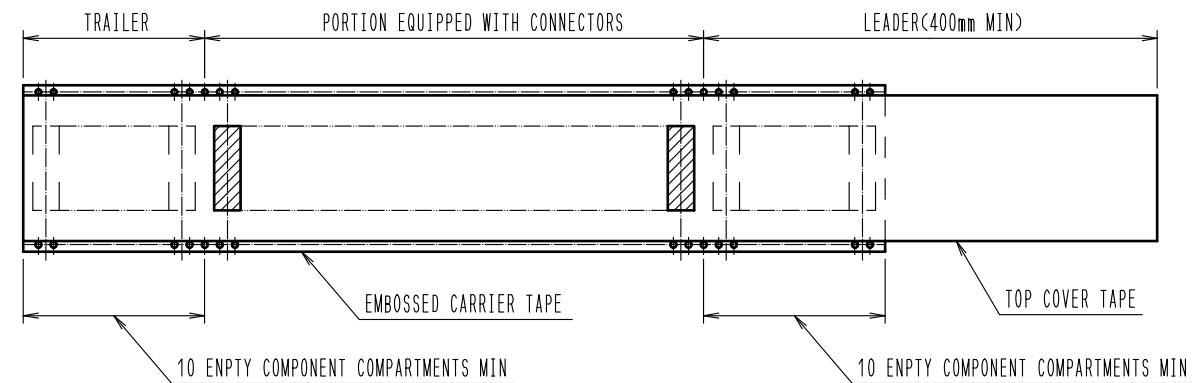
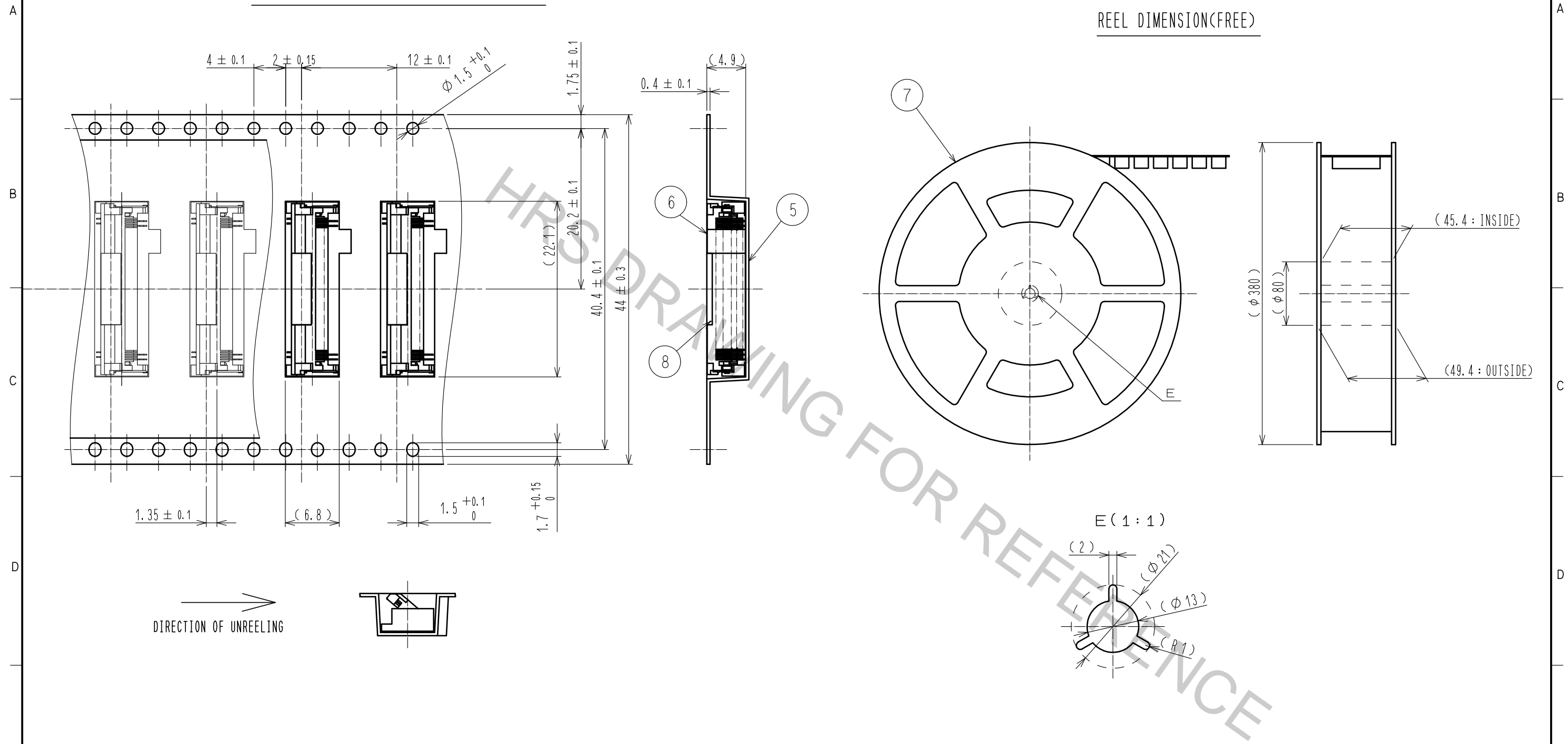
- NOTE
- 1 DIMENSION FROM REFERENCE C.
 - 2 LEAD CO-PLANARITY SHALL BE 0.1MAX.
 - 3 STIFFNER MATERIAL: POLYIMIDE. HEAT CURED ADHESIVE. POLYIMIDE THICKNESS OF STIFFNER
SINGLE-SIDED FPC: 0.15mm(6mil)MIN
DOUBLE-SIDED FPC: 0.125mm(5mil)MIN
 - 4 CONDUCTOR WIDTH SHALL BE 0.1±0.05 IF FPC HAS PLATING BARS.
 - 5 CROSS SECTION A-A IS FOR EVEN-NUMBER PINS, AND CROSS SECTION B-B IS FOR ODD-NUMBER PINS.
 - 6 THIS PRODUCT SATISFIES HALOGEN FREE REQUIREMENTS DEFINED AS 900 PPM MAXIMUM CHLORINE, 900 PPM MAXIMUM BROMINE, AND 1500 PPM MAXIMUM TOTAL OF CHLORINE AND BROMINE.



4	PHOSPHOR BRONZE	GOLD 0.05 μMIN OVER NICKEL 1 μMIN	8	(CONNECTOR)			
3	PHOSPHOR BRONZE	GOLD 0.05 μMIN OVER NICKEL 1 μMIN	7	POLYSTYRENE			
2	LCP	(BLACK) UL94V-0	6	POLYESTER			
1	LCP	(GRAY) UL94V-0	5	POLYSTYRENE			
NO.	MATERIAL	FINISH . REMARKS	NO.	MATERIAL	FINISH . REMARKS		
UNITS	mm	SCALE	5 : 1	COUNT	DESCRIPTION OF REVISIONS	DESIGNED	CHECKED
APPROVED : NF. MIYAZAKI		16.04.21		DRAWING NO.		EDC-337757-05-00	
CHECKED : HS. SAKAMOTO		16.04.21		PART NO.		FH30-60S-0.3SHW(05)	
DESIGNED : RT. IKEDA		16.04.20		CODE NO.		CL580-0105-8-05	
DRAWN : RK. OGASAWARA		16.04.20				1/2	

EMBOSSED CARRIER TAPE DIMENSION(2:1)

REEL DIMENSION(FREE)



NOTE 7 PER REEL : 1000 CONNECTORS.
 8 REFER TO JIS C 0806 and IEC 60286-3 (PACKAGING OF COMPONENTS FOR AUTOMATIC HANDLING.)

HRS	DRAWING NO.	EDC-337757-05-00
	PART NO.	FH30-60S-0.3SHW(C05)
	CODE NO.	CL580-0105-8-05
		2/2

Apr.1.2017 Copyright 2017 HIROSE ELECTRIC CO., LTD. All Rights Reserved.