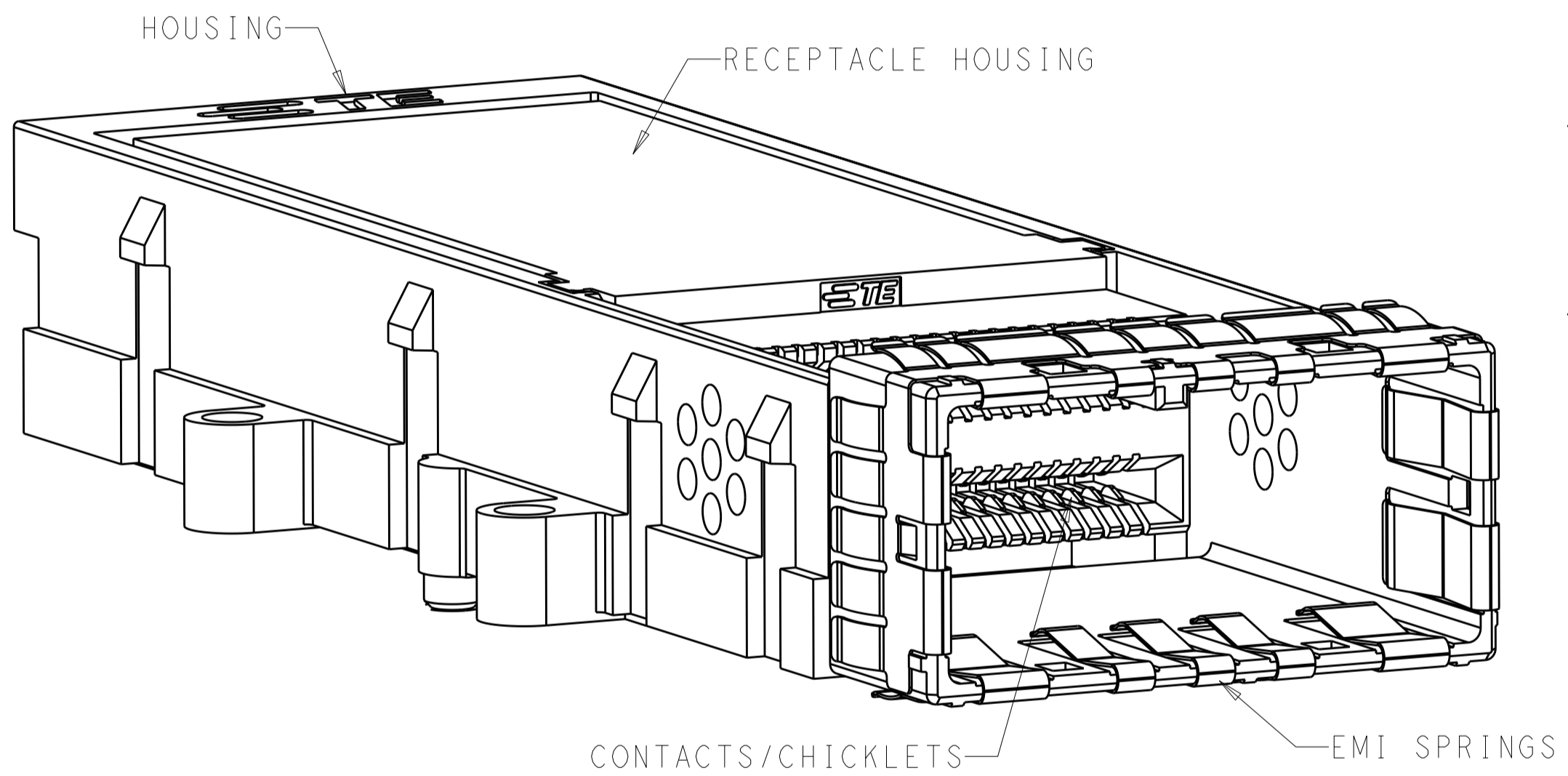


THIS DRAWING IS UNPUBLISHED. RELEASED FOR PUBLICATION 20
 © COPYRIGHT 20 BY - ALL RIGHTS RESERVED.

LOC	DIST	REVISIONS					
GP	00	P	LTR	DESCRIPTION	DATE	DWN	APVD
		8		REVISED	04APR2012	MEC	MDM

1. MATERIALS:
 HOUSING - NICKEL PLATED ZINC ALLOY PER ASTM B 240
 RECEPTACLE HOUSING - LCP, BLACK, UL 94V-O RATED
 CHICKLET - LCP, BLACK, UL 94V-O RATED
 CONTACT - PHOSPHOR BRONZE PER ASTM B 103
 EMI SPRING - COPPER ALLOY
2. CONTACT FINISH:
 CONFORMS TO THE REQUIREMENTS OF TYCO ELECTRONICS
 PRODUCT SPECIFICATION 108-2426, BASED ON EIA/ECA-364-1000.01A,
 (CONTROLLED ENVIRONMENT APPLICATIONS) ON MATING INTERFACE,
 TIN ON NEEDLE EYE
3. NOTE DELETED
4. MOUNTING HARDWARE REQUIRED:
 M2X0.4 (4): MOUNTING SCREW LENGTH = BOARD THICKNESS + 8mm MAX
5. THE ENTIRE AREA OF THE CONNECTOR FOOTPRINT, INDICATED
 BY CROSSHATCHING, TO BE CONSIDERED THE KEEPOUT AREA FOR
 COMPONENTS AND SIGNAL TRACES, TOP SIDE ONLY, TOP SIDE
 TRACES ALLOWED WITHIN CONNECTOR HOLE PATTERN, CROSSHATCHING
 TO BE CONDUCTIVE
6. FEATURES IN PHANTOM LINES ARE RELATED TO USE WITH
 CONNECTOR PN 2149701-X AND GANGED SIDE BY SIDE APPLICATION
7. PCB THICKNESS = 1.44 MIN



2149733-1
 SCALE 5:1

OBSOLETE

3	84 POSITION RECEPTACLE ASSEMBLY	2149733-2
2	84 POSITION RECEPTACLE ASSEMBLY	2149733-1
FINISH	DESCRIPTION	PART NUMBER

PRELIMINARY PART- NOT RELEASED FOR PRODUCTION

THIS DRAWING IS A CONTROLLED DOCUMENT.		DWN	M. E. COWHER	16SEP2010
DIMENSIONS: mm		CHK	M. D. MORRISON	23SEP2010
TOLERANCES UNLESS OTHERWISE SPECIFIED:		APVD	M. D. MORRISON	23SEP2010
0 PLC	±0.2	NAME	M. D. MORRISON	
1 PLC	±0.1	PRODUCT SPEC	-	
2 PLC	±0.05	APPLICATION SPEC	-	
3 PLC	±	WEIGHT	-	
4 PLC	±	SIZE	A2	00779
ANGLES	±1°	CAGE CODE	C-2149733	
FINISH	SEE NOTES	DRAWING NO	2149733	
MATERIAL	SEE NOTES	RESTRICTED TO	-	
SEE NOTES	SEE NOTES	SCALE	1:1	SHEET 1 OF 4 REV 8

PRELIMINARY

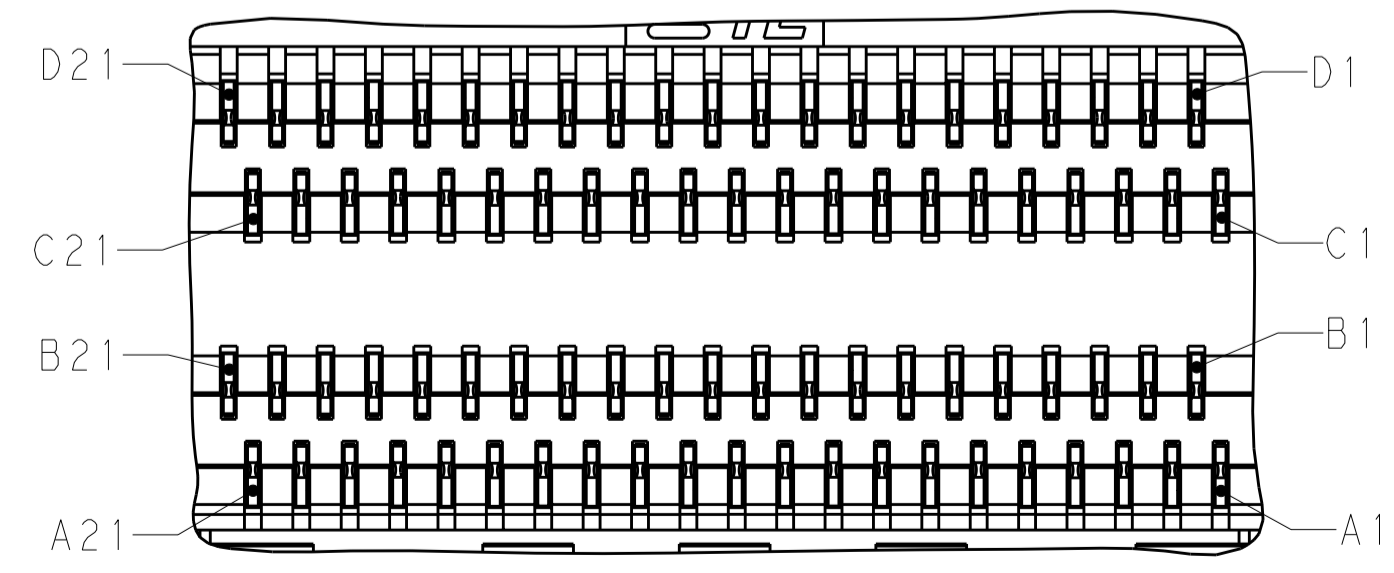
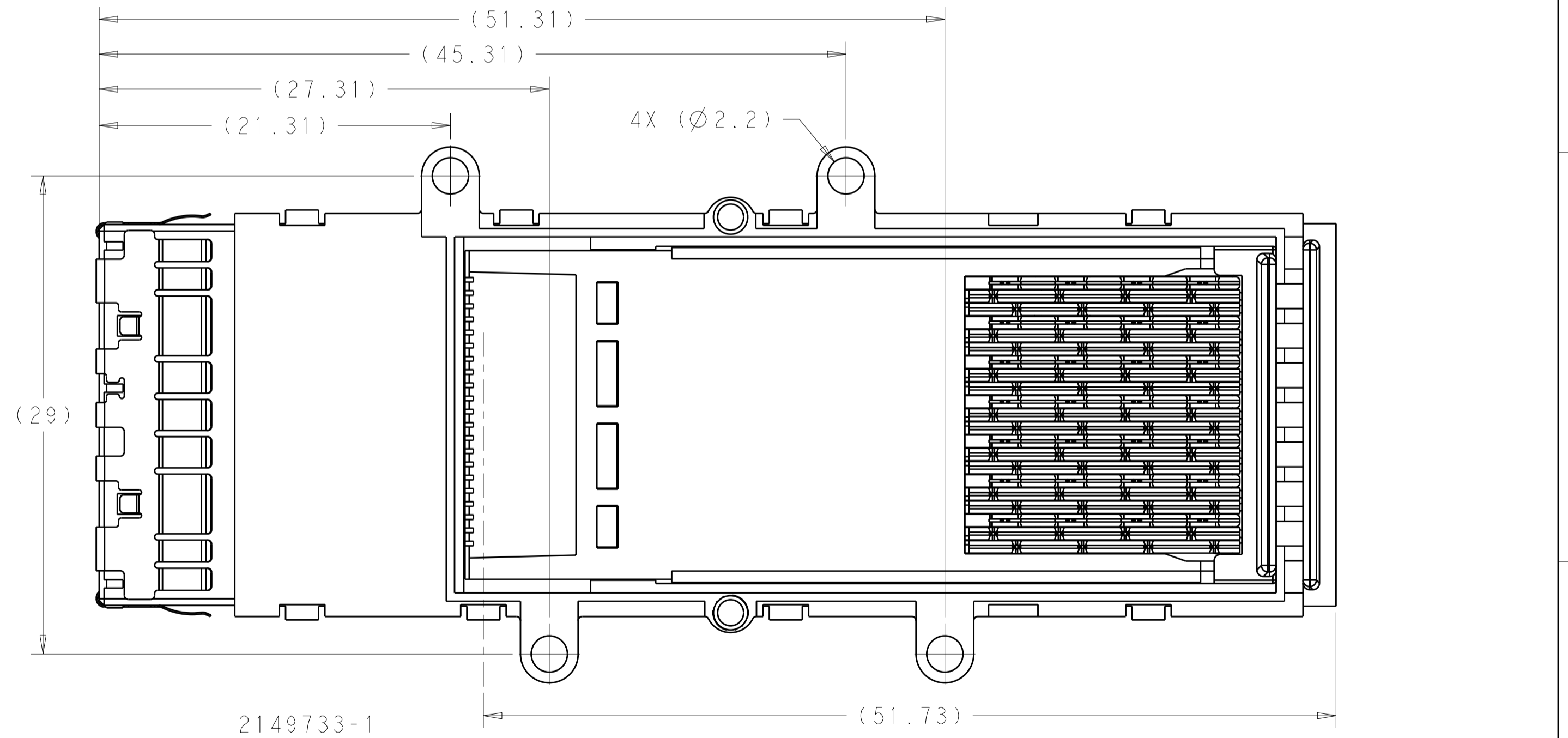
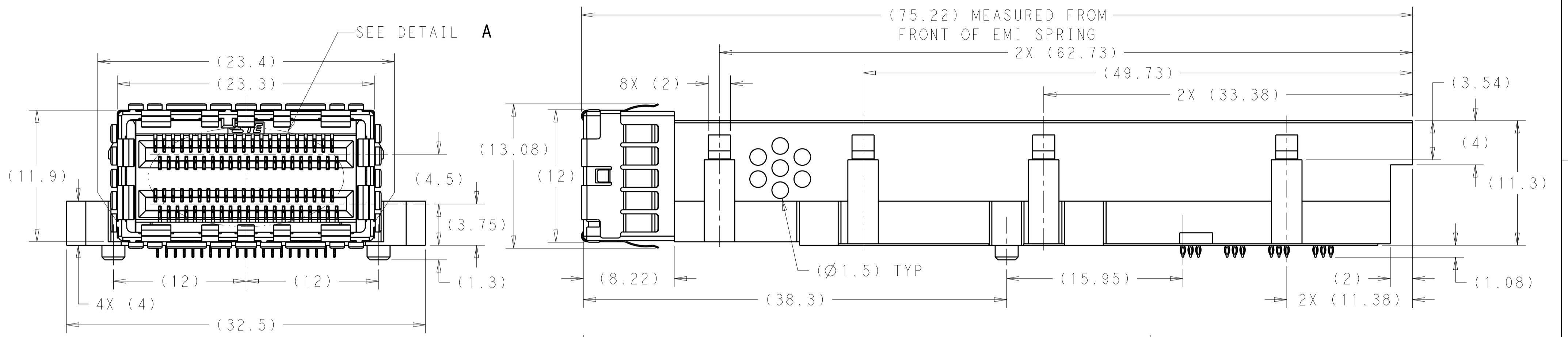
STE TE Connectivity

RECEPTACLE ASSEMBLY,
 BELLY-BELLY, EXTENDED, CXP
 84 POSITION, CXP

THIS DRAWING IS UNPUBLISHED. RELEASED FOR PUBLICATION 20
 © COPYRIGHT 20 BY - ALL RIGHTS RESERVED.

LOC	DIST	REVISIONS			
P	LTR	DESCRIPTION	DATE	DWN	APVD
GP	00	SEE SHEET 1			

PRELIMINARY PART- NOT RELEASED FOR PRODUCTION



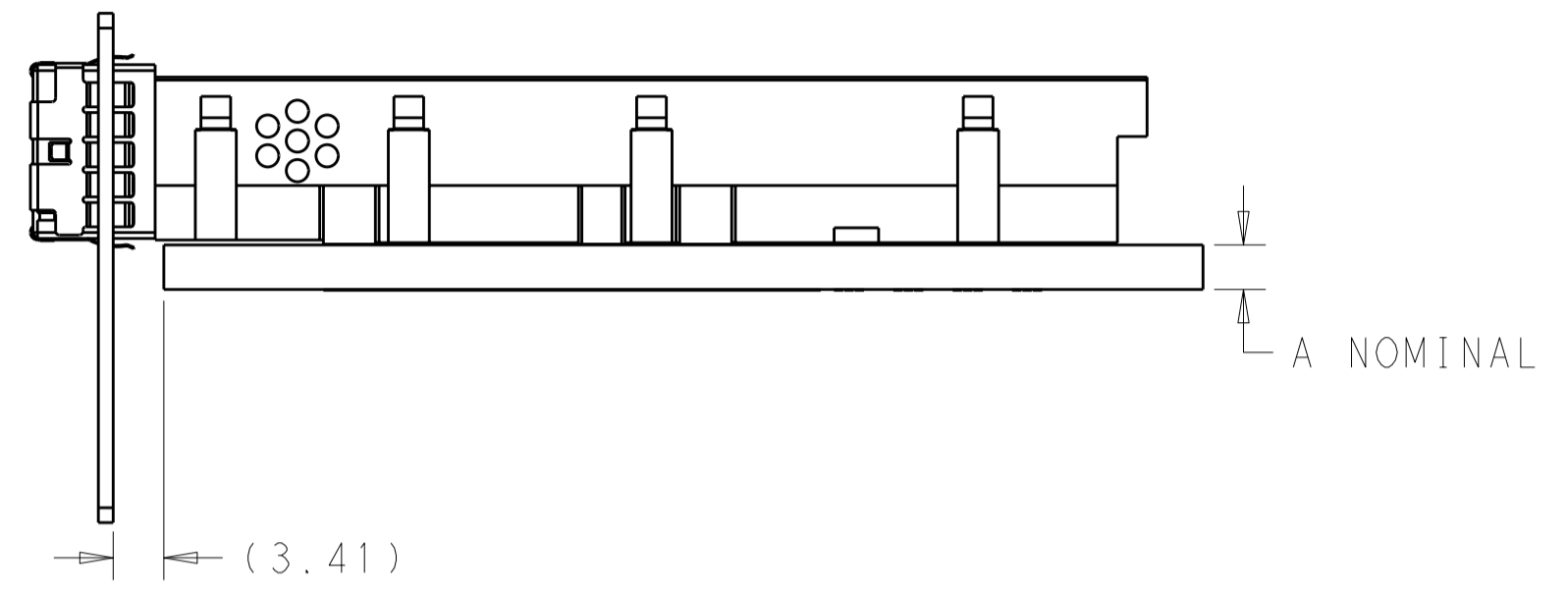
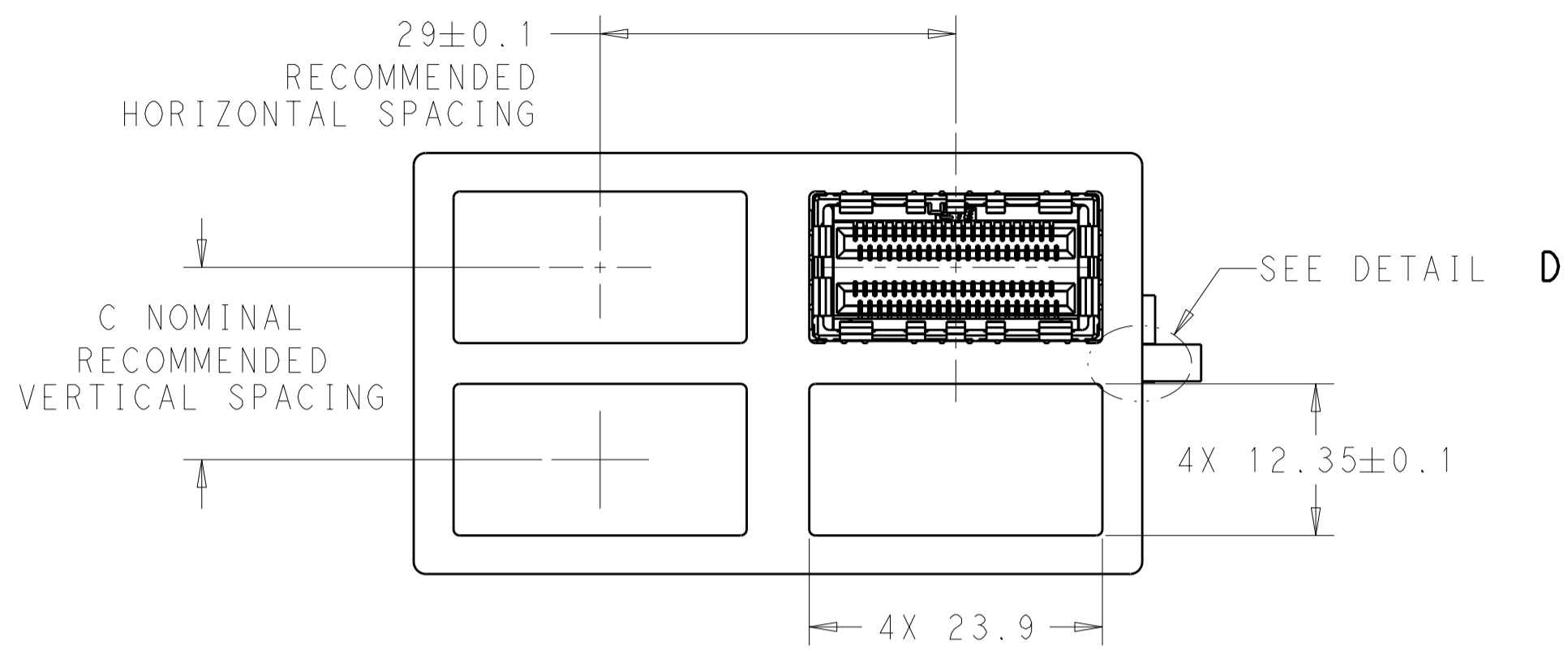
DETAIL A
 RECOMMENDED PIN CALLOUT
 SCALE 8:1

2149733-1
 SCALE 4:1

THIS DRAWING IS A CONTROLLED DOCUMENT.		DWN M.E. COWHER 16SEP2010	TE Connectivity RECEPTACLE ASSEMBLY, BELLY-BELLY, EXTENDED, CXP 84 POSITION, CXP	
DIMENSIONS: mm		CHK M.D. MORRISON 23SEP2010		
TOLERANCES UNLESS OTHERWISE SPECIFIED:		APVD M.D. MORRISON 23SEP2010	NAME	
0 PLC ±0.2 1 PLC ±0.1 2 PLC ±0.05 3 PLC ± 4 PLC ± ANGLES ±° FINISH		PRODUCT SPEC	SIZE CAGE CODE DRAWING NO	
MATERIAL		APPLICATION SPEC	RESTRICTED TO	
SEE NOTES		WEIGHT	A200779 C-2149733	
SEE NOTES		CUSTOMER DRAWING	SCALE 1:1 SHEET 2 OF 4 REV 8	

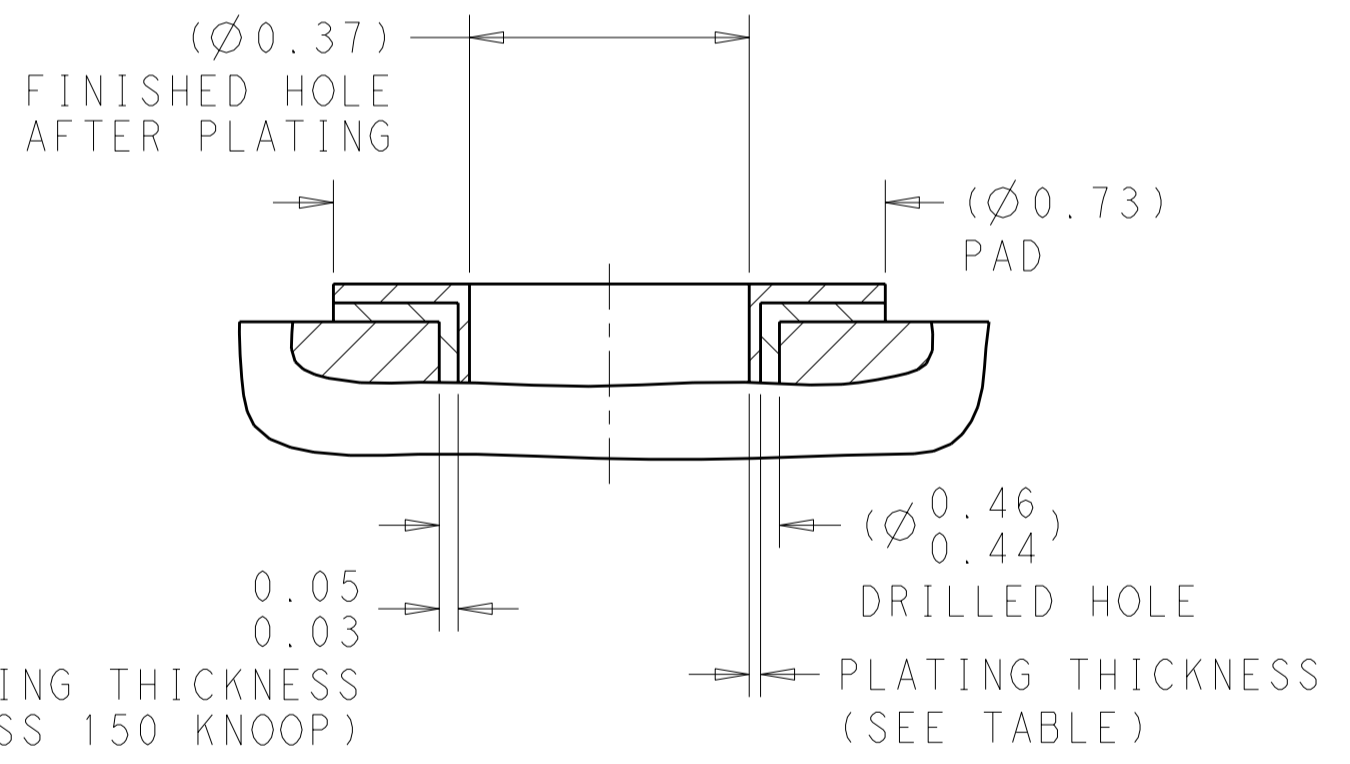
THIS DRAWING IS UNPUBLISHED. RELEASED FOR PUBLICATION 20
 © COPYRIGHT 20 BY - ALL RIGHTS RESERVED.

LOC	DIST	REVISIONS					
GP	00	P	LTR	DESCRIPTION	DATE	DWN	APVD
		-		SEE SHEET 1			

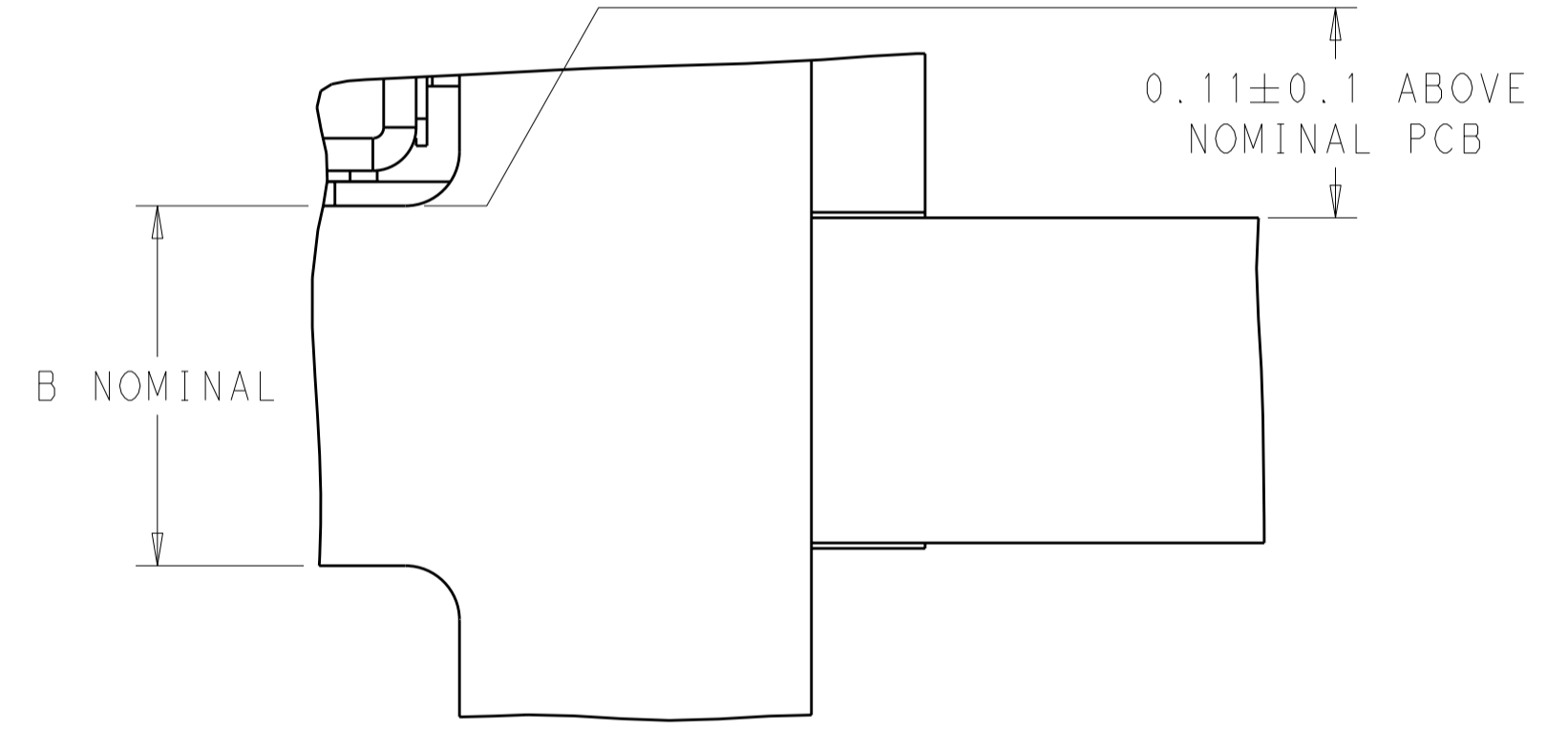


RECOMMENDED BRACKET LAYOUT
SCALE 2:1

PRELIMINARY PART- NOT RELEASED FOR PRODUCTION



RECOMMENDED HOLE DIMENSIONS FOR SIGNAL CONTACTS
SCALE 100:1



DETAIL D
SCALE 15:1

PLATING THICKNESS	TYPE OF PLATING
0.004-0.01	HOT AIR SOLDER LEVELING (HASL) TIN-LEAD
0.0005-0.002	IMMERSION TIN
0.0002-0.0005	ORGANIC SOLDERABILITY PRESERVATIVE (OSP)
0.0001-0.0005 Au, 0.004-0.0076 Ni	IMMERSION GOLD OVER NICKEL (ENIG)
0.0001-0.0005	IMMERSION SILVER

12.57+A	0.22+A	PCB THICKNESS
C	B	A

THIS DRAWING IS A CONTROLLED DOCUMENT.

DIMENSIONS: mm	TOLERANCES UNLESS OTHERWISE SPECIFIED: 0 PLC ±0.2 1 PLC ±0.1 2 PLC ±0.05 3 PLC ± 4 PLC ±	DWN M.E. COWHER 16SEP2010 CHK M.D. MORRISON 23SEP2010 APVD M.D. MORRISON 23SEP2010	TE Connectivity RECEPTACLE ASSEMBLY, BELLY-BELLY, EXTENDED, CXP 84 POSITION, CXP
MATERIAL	ANGLES FINISH ±1°	PRODUCT SPEC - APPLICATION SPEC - WEIGHT -	

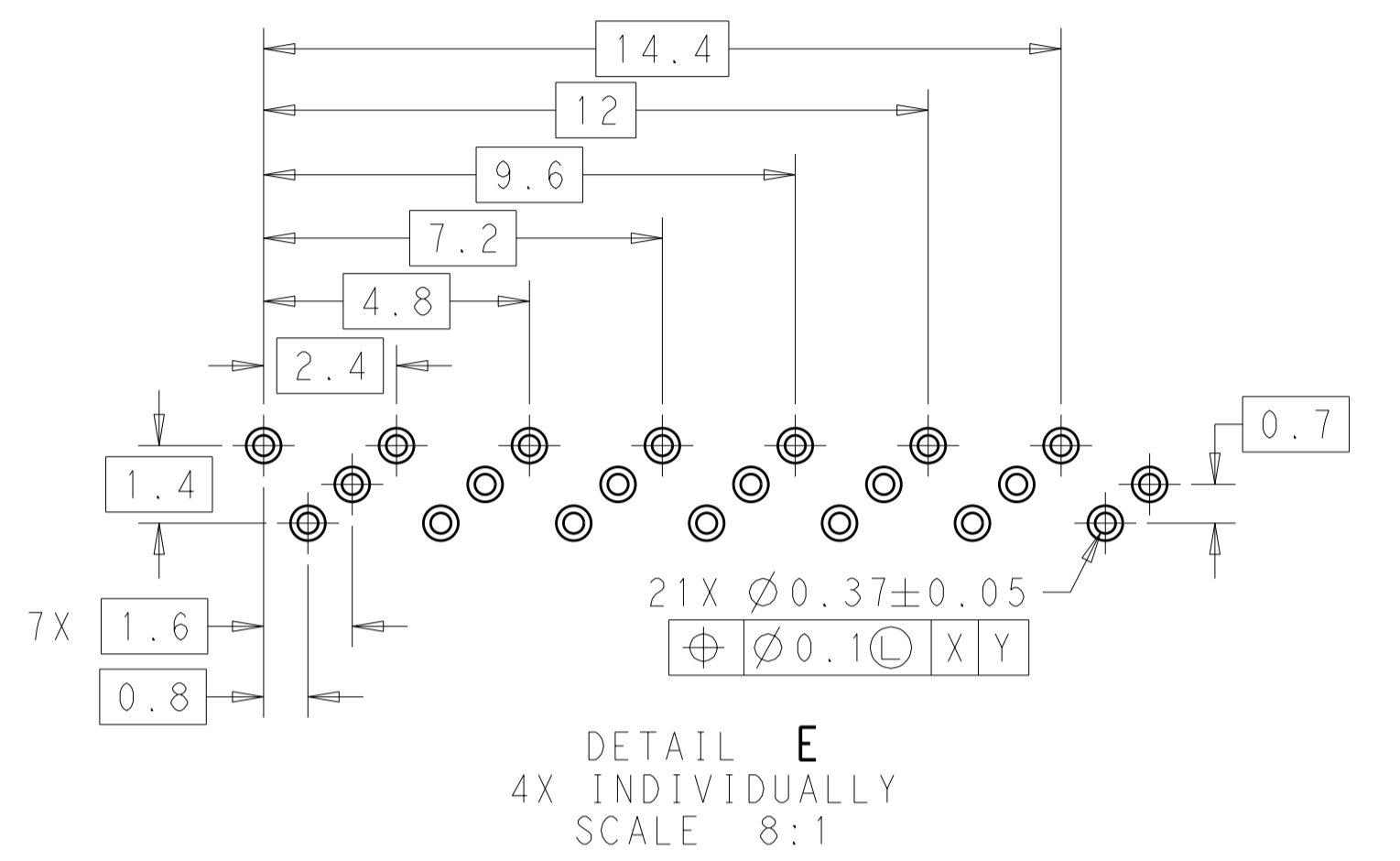
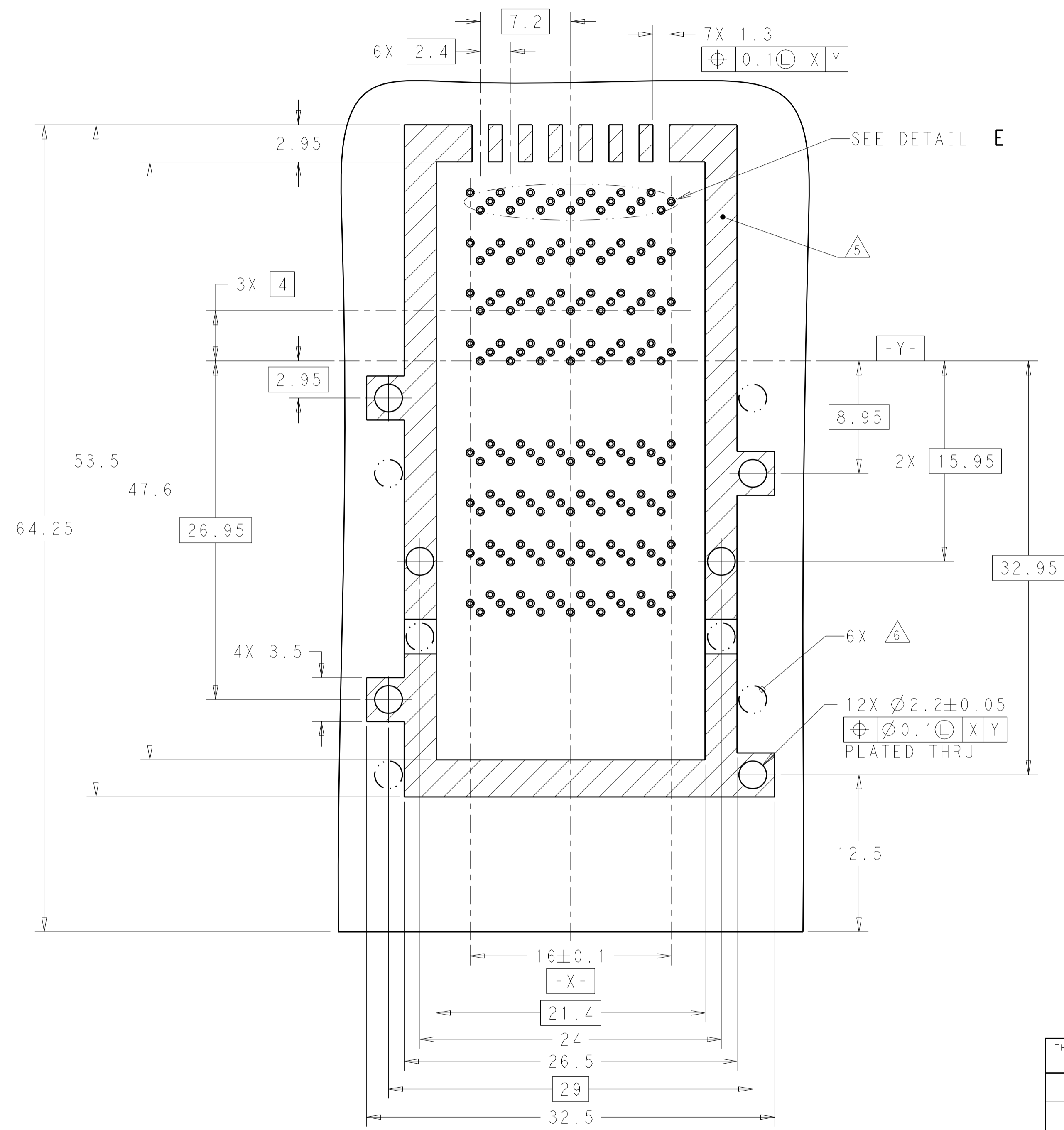
SIZE A2 CAGE CODE 00779 DRAWING NO. C-2149733 RESTRICTED TO -

SCALE 1:1 SHEET 3 OF 4 REV 8

SEE NOTES SEE NOTES CUSTOMER DRAWING

THIS DRAWING IS UNPUBLISHED. RELEASED FOR PUBLICATION 20
 © COPYRIGHT 20 BY - ALL RIGHTS RESERVED.

LOC	DIST	REVISIONS			
P	LTR	DESCRIPTION	DATE	DWN	APVD
GP	00	SEE SHEET 1			



PRELIMINARY PART- NOT RELEASED FOR PRODUCTION

RECOMMENDED PCB LAYOUT
 COMPONENT SIDE SHOWN
 SCALE 4:1

THIS DRAWING IS A CONTROLLED DOCUMENT.		DWN M.E. COWHER 16SEP2010	TE Connectivity	
DIMENSIONS: mm		CHK M.D. MORRISON 23SEP2010		
TOLERANCES UNLESS OTHERWISE SPECIFIED:		APVD M.D. MORRISON 23SEP2010	NAME RECEPTACLE ASSEMBLY, BELLY-BELLY, EXTENDED, CXP 84 POSITION, CXP	
0 PLC ±0.2 1 PLC ±0.1 2 PLC ±0.05 3 PLC ± 4 PLC ±		PRODUCT SPEC -	SIZE A200779	
ANGLES FINISH ±1°		APPLICATION SPEC -	CAGE CODE C-2149733	
MATERIAL SEE NOTES		WEIGHT -	DRAWING NO. 2149733	
SEE NOTES		CUSTOMER DRAWING	RESTRICTED TO -	
		SCALE 1:1	SHEET 4 OF 4 REV 8	