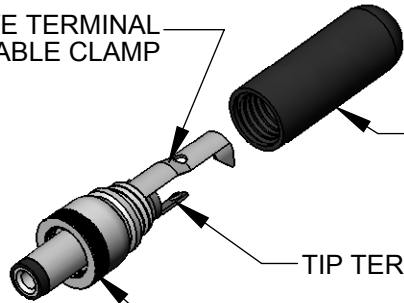


PART NUMBER	HANDLE COLOR
760K	BLACK
765K	RED

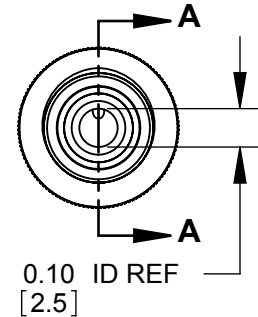
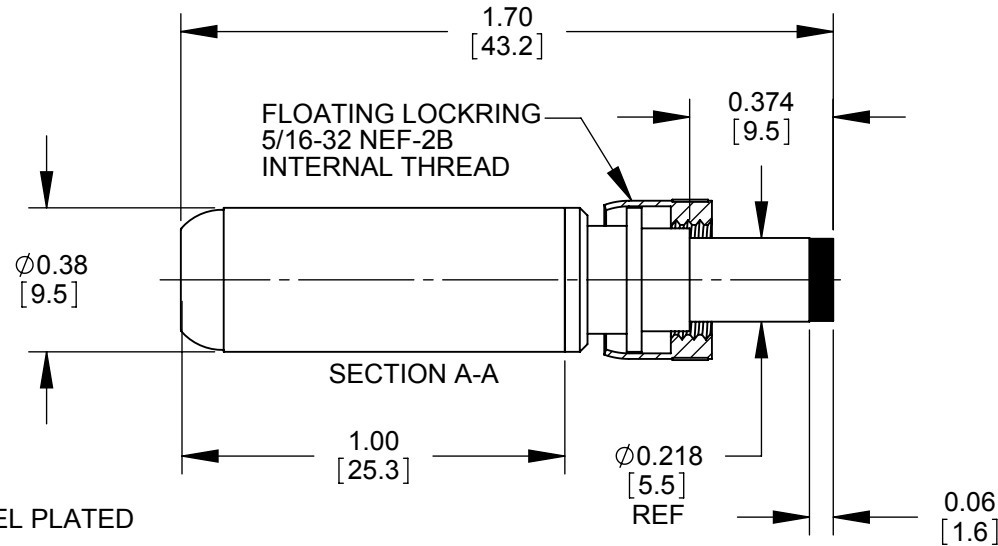
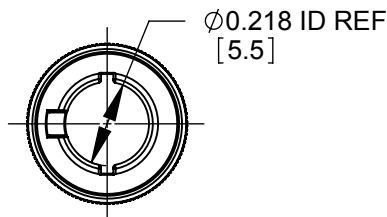
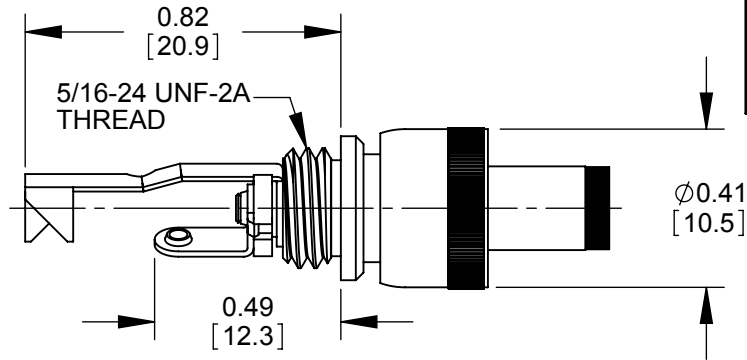
SLEEVE TERMINAL
CABLE CLAMP



HANDLE
SHIPPED
UNASSEMBLED

TIP TERMINAL

COUPLING RING



NOTES:

- MATERIALS:
CONDUCTORS, LOCKRING - BRASS, NICKEL PLATED
TERMINALS - BRASS, TIN PLATED
INSULATORS, HANDLE - THERMOPLASTIC
- THIS PRODUCT IS RoHS COMPLIANT

CUSTOMER DRAWING

					THIS DRAWING DESCRIBES A DESIGN CONSIDERED PROPRIETARY IN NATURE, DEVELOPED AND MANUFACTURED BY SWITCHCRAFT INC. AND IS RELEASED ON A CONFIDENTIAL BASIS FOR IDENTIFICATION PURPOSES ONLY.								
UNLESS OTHERWISE SPECIFIED 1. ALL DIMENSIONS IN INCHES - TWO PLACE DECIMALS ±0.02 - THREE PLACE DECIMALS ±0.005					SIZE *	WIDTH *	MULT *	LBS/M *	TEMPER *				
					FINISH *				MATERIAL *				
					SPEC No. *				SPEC No. *				
					FIRST USED ON *				SCALE 2:1				
C	25989	11-13-08	JEB	TJK	DATE DRAWN 3-31-09	BY JEB	CHKD JEB 3-31-09	APVD TJK 3-31-09					
REV	ECO NUMBER	DATE	BY	APVD	NAME Ø 0.10 [2.5]mm x 0.374 LONG POWER PLUG W/LOCKRING, RoHS						PART No. 760K-765K	REV C	
REVISIONS					DO NOT SCALE DRAWING					SHEET 1 OF 1			

SolidWorks CAD File

