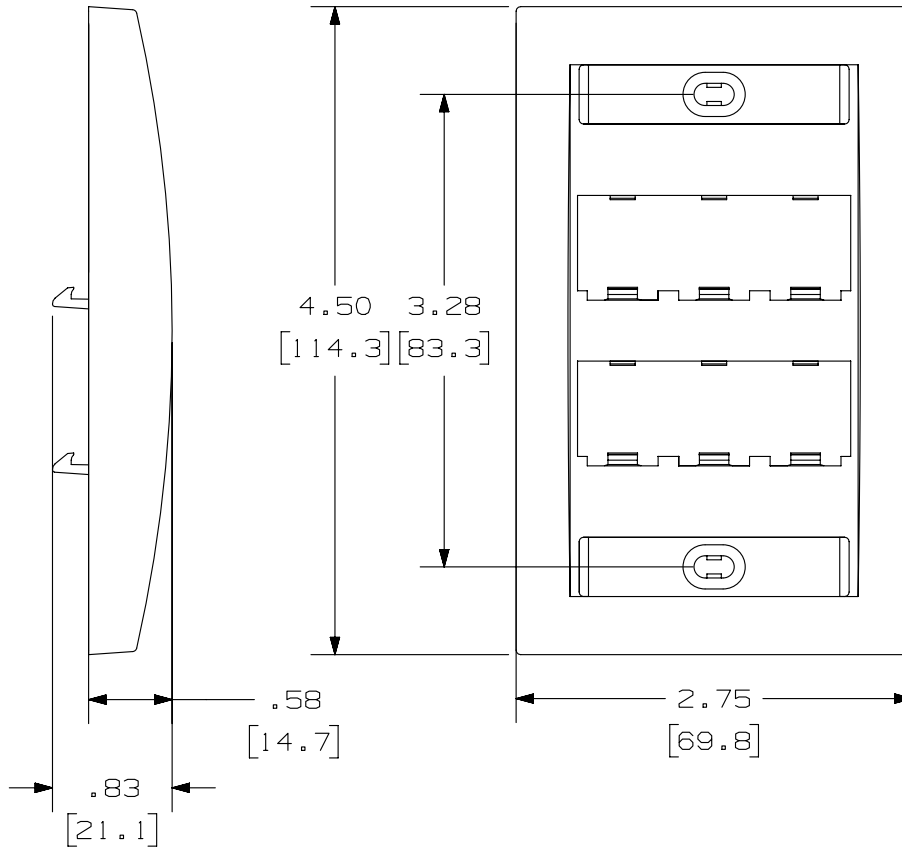


THIS COPY IS PROVIDED ON A RESTRICTED BASIS AND IS NOT TO BE USED IN ANY WAY DETRIMENTAL TO THE INTERESTS OF PANDUIT CORP.

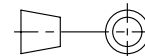
PANDUIT P/N	WEIGHT
CFPE6**Y	.67 LB/10 PCS 303.9 g/10 PCS)

NOTES:

1. SEE CURRENT CATALOG FOR ADDITIONAL PART NUMBER SUFFIXES TO INDICATE COLOR AND OR PACKAGE QUANTITY.
2. SEE CATALOG FOR COMPLETE LIST OF PARTS APPLICABLE FOR USE WITH THIS PART.
3. DIMENSIONS IN [] ARE IN METRIC.
4. PART INCLUDES:
1- FACEPLATE
2- LABEL
2- LABEL COVER
2- MOUNTING SCREW



PART NUMBER		CFPE6**Y	
TITLE			
MINI-COM 6 POSITION EXECUTIVE		SERIES FACEPLATE	
CUSTOMER DRAWING			
ITEM REVISION NAME		M02479EM/00	
DATASET FILE NAME		M02479EM_DC119/00A	
UNLESS OTHERWISE SPECIFIED, DIMENSIONAL TOLERANCES ARE: IN [mm]		MATERIAL:	
.x ± .xx ± .03 [.8]		ABS	
.xxx ± .010 [.3]		DRAWING NUMBER:	
ANGLES ±		02479-119	
THIRD ANGLE PROJECTION		SHT 1 OF 1	
DRAWN BY	DATE	CHK	SCALE
JSP	4/2/14	MJD	NONE
REV	DATE	BY	CHK
1	4/214	JSP	REFR
R	4-26-06	JSP	MJD
APR	DESCRIPTION		ECN
	A. REVISED DRAWING TITLE BLOCK.		02479-119
	RELEASED TO PRODUCTION		02479-119



THIRD ANGLE PROJECTION

D10100DA/14