

NOTES:

1.0 MATERIALS:

- 1.1 HOUSING & NUT: STAINLESS STEEL PER ASTM-A582, TYPE 303.
- 1.2 CENTER CONTACT: BERYLLIUM COPPER ROD ALLOY C172, PER ASTM-B196.
- 1.3 DIELECTRIC: PTFE FLUOROCARBON PER ASTM-D1457.

2.0 PLATING:

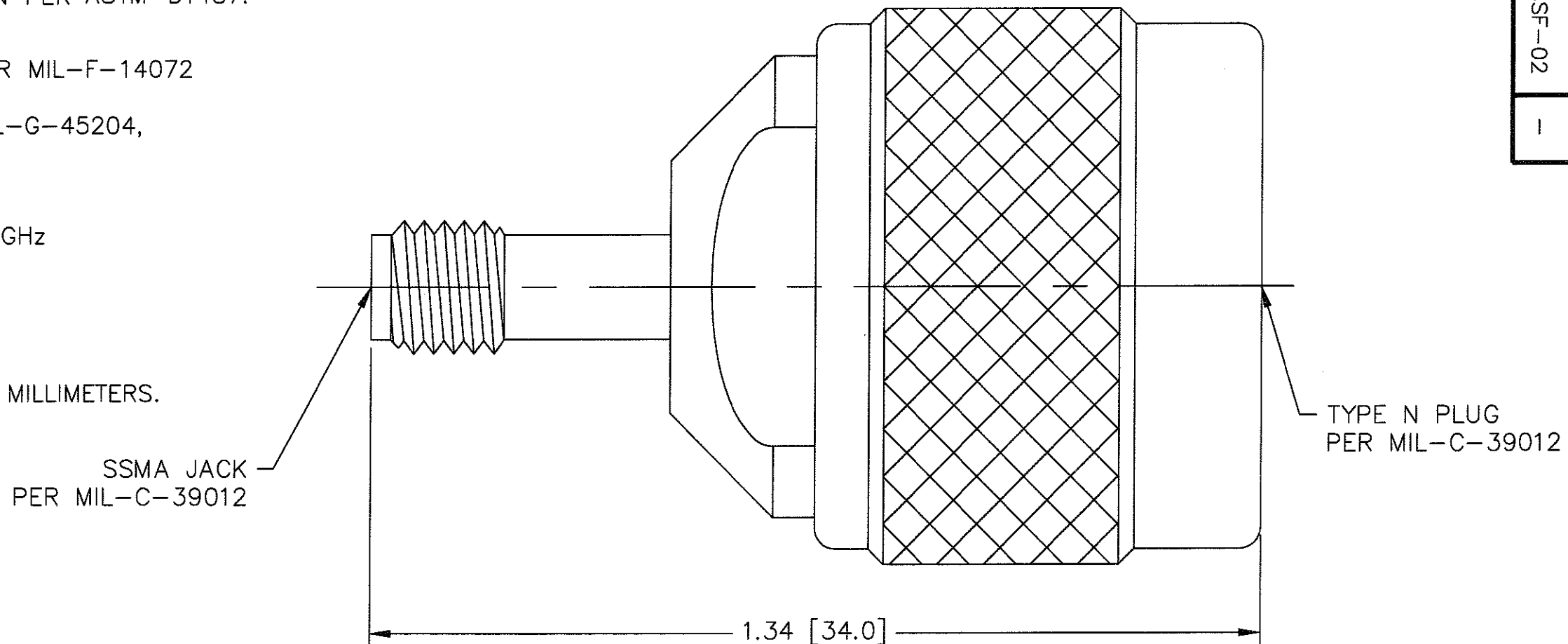
- 2.1 HOUSING & NUT: PASSIVATED PER MIL-F-14072 AND QQ-P-35
- 2.2 CENTER CONTACT: GOLD PER MIL-G-45204, TYPE II, CLASS 2.

3.0 ELECTRICAL SPECIFICATIONS:

- 3.1 FREQUENCY RANGE: DC to 18.0 GHz
- 3.2 VSWR: 1.25:1 MAX.
- 3.3 IMPEDANCE: 50 OHMS

4.0 MARKING: NO MARKING REQUIRED

5.0 DIMENSIONS IN BRACKETS ARE IN MILLIMETERS.



REV.	-	DESCRIPTION	RELEASED	DATE	8/1/00
------	---	-------------	----------	------	--------

UNLESS OTHERWISE NOTED DIMENSIONS ARE IN INCHES AND TOLERANCES ARE:	FSCM NO. 34078		MIDWEST MICROWAVE	
	NOTICE: The information contained in this drawing is proprietary and must not be used without the permission of Midwest Microwave		TITLE ADAPTER OUTLINE	
3 PLACE DECIMALS ±.005	DRAWN/DATE M. STAFFORD 7/28/00		ENG./DATE G. J. D.	
2 PLACE DECIMALS ±.02	CHECKED/DATE		APPROVED/DATE	
FRACTIONS ±1/64	DRAWING NUMBER ADT-2817-NM-SSF-02		SCALE: 5=1 SHEET 1 of 1	
PARALLELITY: T.I.R. _____	ANGLES AND PERPENDICULARITY: ±1°			
FLATNESS: T.I.R. _____				
CONCENTRICITY: T.I.R. _____				