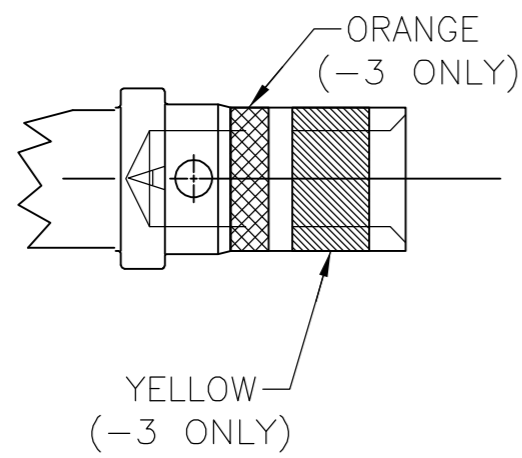
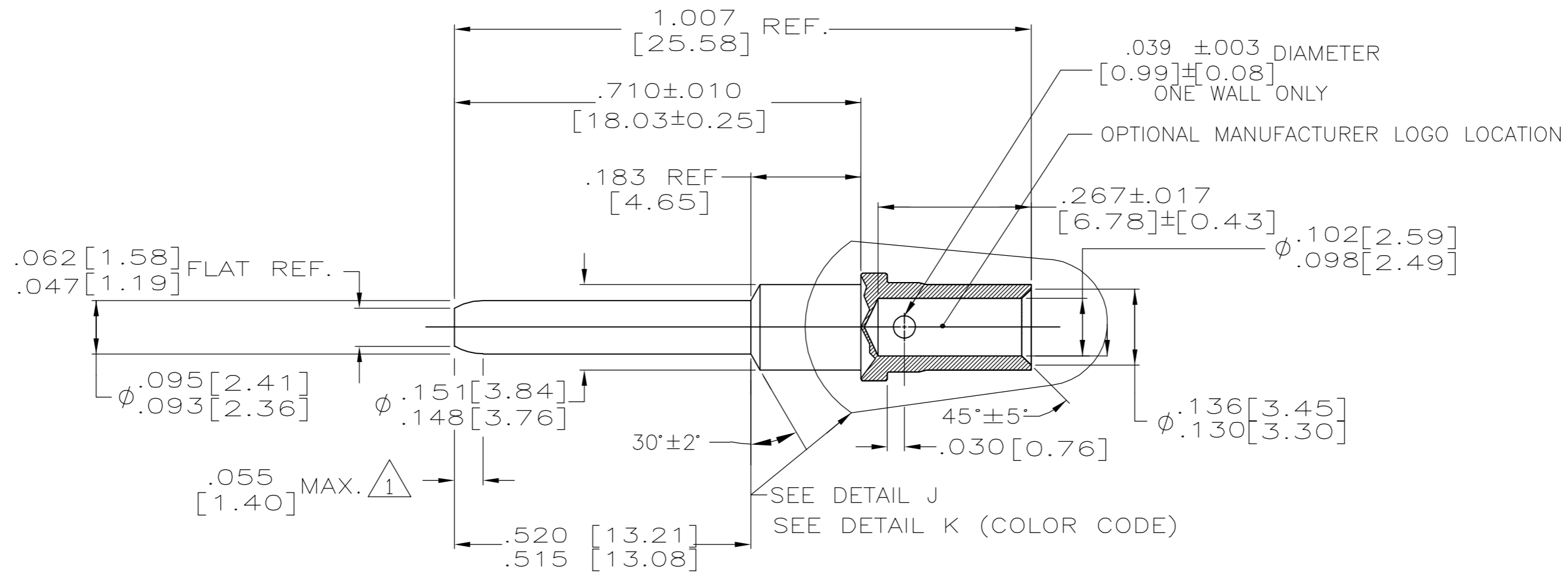
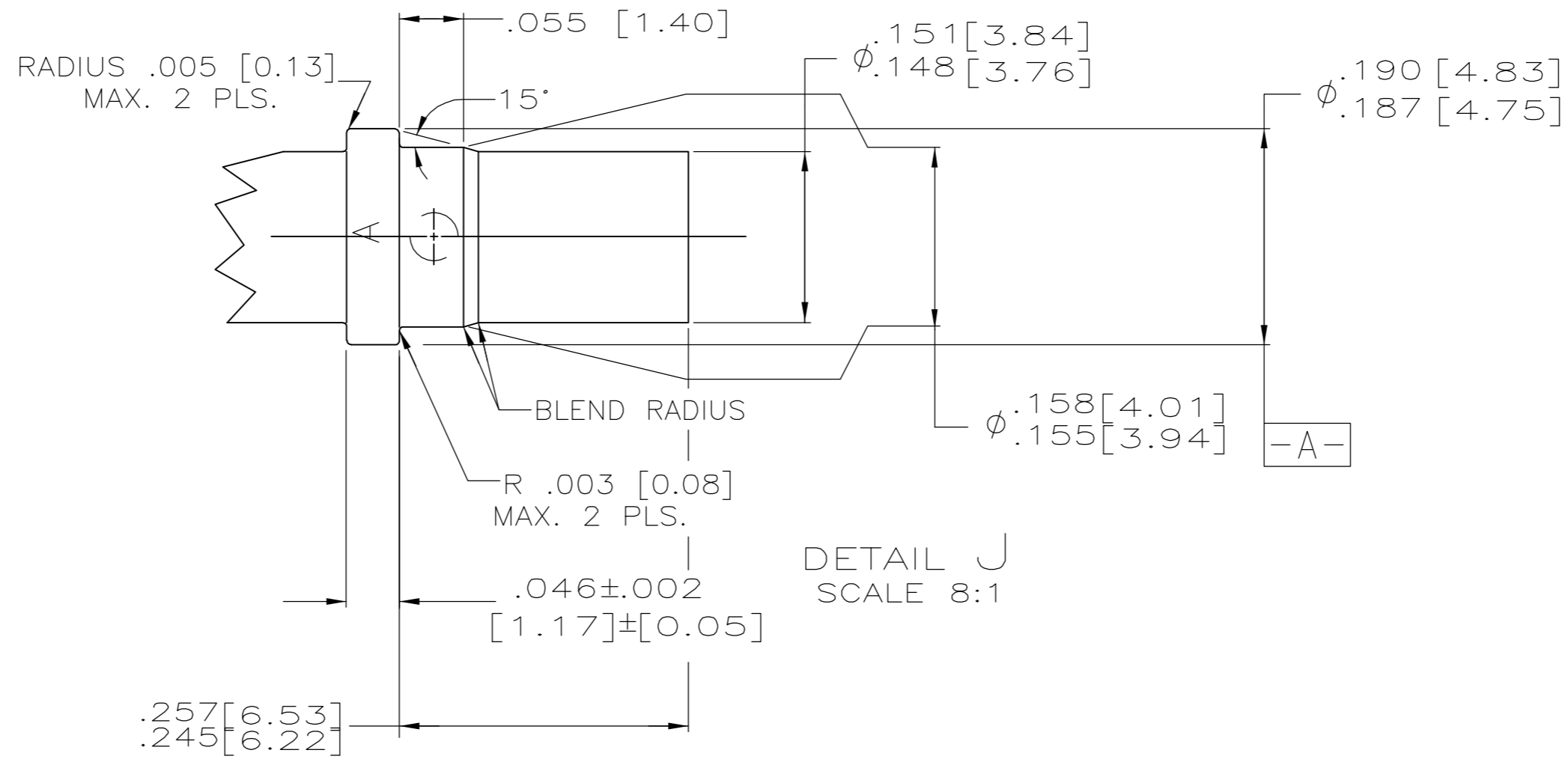


THIS DRAWING IS UNPUBLISHED. RELEASED FOR PUBLICATION
 © COPYRIGHT BY TYCO ELECTRONICS CORPORATION. ALL RIGHTS RESERVED.

LOC		DIST		REVISIONS			
P	LTR	DESCRIPTION	DATE	DWN	APVD		
DF	A0						
		D	REV PER EC OH14-0154-04	24JAN06	TK	CT	



DETAIL K
SCALE 5:1



DETAIL J
SCALE 8:1

- 1 ELECTRICAL ENGAGEMENT POINT.
- 2 PLATED .000050 GOLD PER. MIL-G-45204 OVER .000050 NICKEL PER QQ-N-290
- 3 COLOR CODE ADDED,SEE DETAIL K..

3	-	208271-3
-	2	208271-2
REMARKS	FINISH	MAKE FROM

THIS DRAWING IS A CONTROLLED DOCUMENT.		DWN	J. BAKER	11/12/92	Tyco Electronics Corporation Harrisburg, PA 17105-3608		
DIMENSIONS: INCHES		CHK	A. SHARPE	10/01/92			
TOLERANCES UNLESS OTHERWISE SPECIFIED:		APVD	A. SHARPE	10/01/92	NAME		
0 PLC ± -		PRODUCT SPEC		PIN CONTACT, SIZE 12			
1 PLC ± -		APPLICATION SPEC		TYPE ARINC 600			
2 PLC ± -		MATERIAL		SIZE	CAGE CODE	DRAWING NO	RESTRICTED TO
3 PLC ± .005		LEADED COPPER		A2	00779	C=208271	-
4 PLC ± -		FINISH		SCALE	SHEET	REV	
ANGLES ± 2°		SEE NOTES		5:1	1 of 1	D	
CUSTOMER DRAWING							