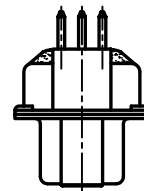
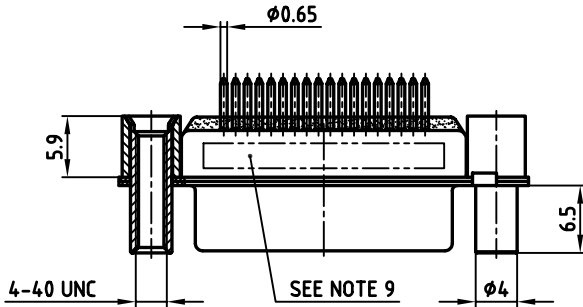
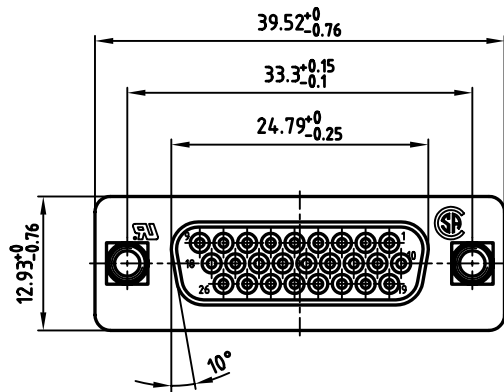
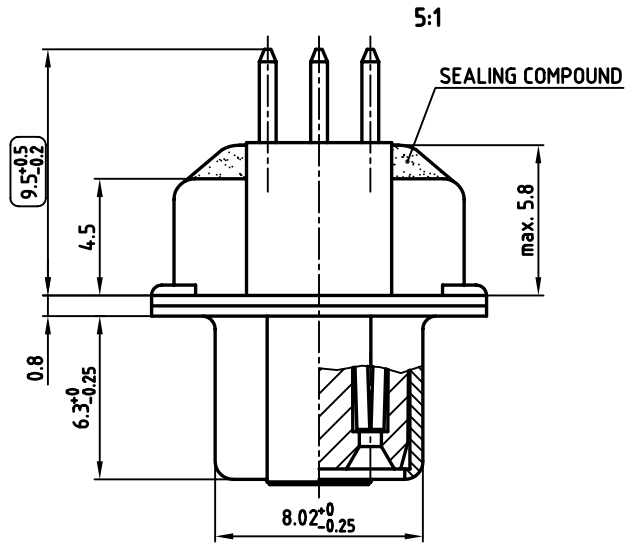


P.C.B. HOLE DRILLINGS



used for: D-SUB HD FILTER



**NOTES:**

1. METALSHELLS: STEEL; min. 320µ" TIN
2. INSULATORS: PBT GF UL 94 V-0, BLACK
3. CONTACTS: COPPER ALLOY  
PLATING: 8µ" HARD GOLD OVER min. 50µ" NICKEL
4. THREADED REAR SPACER / FRONT THREADED LOCK:  
COPPER ALLOY; min. 200µ" TIN over 80µ" NICKEL
5. SLEEVE: COPPER ALLOY; min. 200µ" TIN over 80µ" NICKEL
6. CAPACITANCE: 830pF ±20%
7. DIELECTRIC WITHSTANDING VOLTAGE: 300 VDC
8. MAXIMUM TORQUE VALUE FOR THREAD: 6" LBS
9. CONNECTOR IS PART MARKED: 242A18430X CONEC ABC
10.    = CHECK DIMENSION

APPROVAL # FREIGABE # DEBLOCAGE # AUTORIZACION # APPROVAL	
CUSTOMER APPROVAL DATE:	
NAME:	TITLE:
COMPANY NAME:	
APPROVAL # FREIGABE # DEBLOCAGE # AUTORIZACION # APPROVAL	

THIS DRAWING MAY NOT BE COPIED OR REPRODUCED IN ANY WAY, AND MAY NOT BE PASSED ON TO A THIRD PARTY WITHOUT WRITTEN PERMISSION. OWNERSHIP AND COPYRIGHT OF CONEC GmbH DO NOT ALTER CAD DRAWING BY HAND

tolerance		scale: 2:1 (5:1)	
		material: SEE NOTES	
2005	date	name	
drawn	02.02.	Lehmenkühler	
appd.	02.02.	Mickenbecker	
norm			
d-old			

title:	
<b>D-SUB HD FILTER FEMALE</b>	
26pos. SOLDER PIN STRAIGHT	
threaded rear spacer and front threaded lock	
dwg no:	AutoCAD 2004
<b>24K1A599</b>	
part no:	<b>242A18430X</b>
	DIN-A 3 sh:1/1

