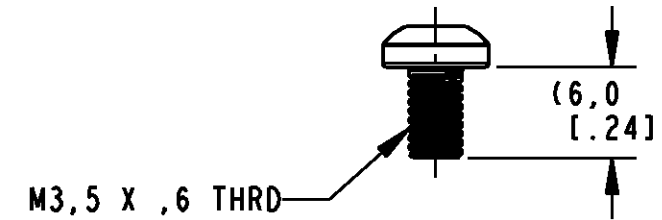
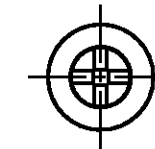
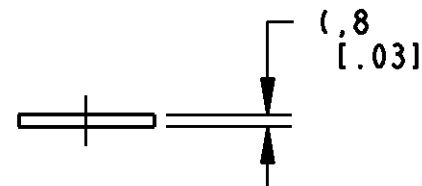
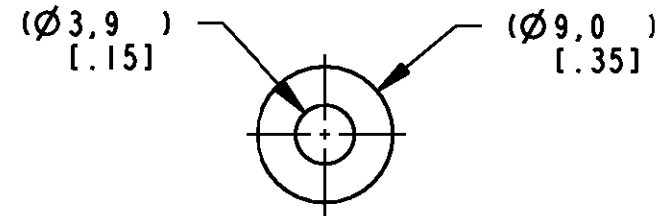
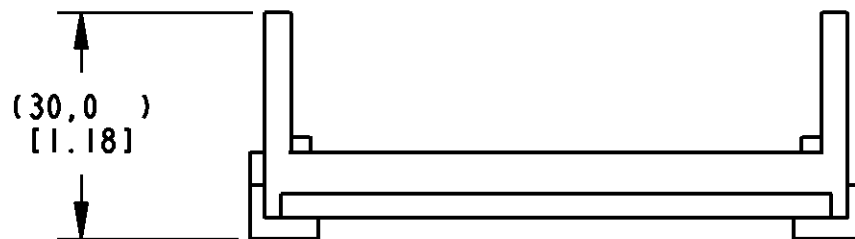
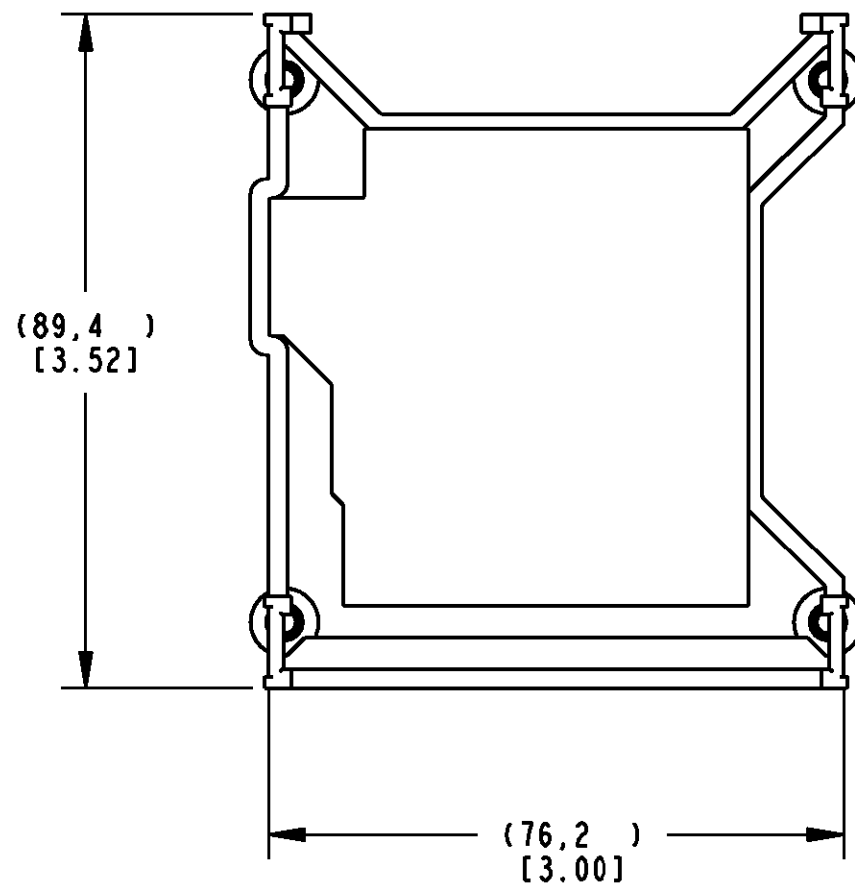


NOTES:

UNLESS OTHERWISE SPECIFIED

1. INTERPRET DRAWING PER ASME Y14.5M-1994.



WASHER
P/N 1542856-1
NYLON
SCALE = 2X

SCREW
P/N 1542857-1
STEEL : ZINC PLATED- (BRIGHT OR BLACK)
SCALE = 2X

RETENTION MODULE
P/N 1542855-1
LEXAN W/BRASS INSERTS
SCALE = 1X

CUSTOMER DRAWING
SPECIFICATIONS ARE SUBJECT TO CHANGE WITHOUT NOTICE

QTY.	DESCRIPTION	PART NUMBER
4	MACHINE SCREW, M3,5, 6MM LONG	1542857-1
4	FLAT WASHER, NYLON	1542856-1
1	RETENTION MODULE	1542855-1

REVISION INFO	REV.
RELEASED OS60-0099-04 DA 4-15-04 APP'D: AM 5-3-04	○
RELEASED OS60-0146-04 DA 5-24-04 APP'D: AM 5-24-04	A
REVISED OS60-0211-04 ETAO 8-19-04 APP'D: A.M 8-19-04	B
REVISED OS60-0269-04 ETAO 11-9-04 APP'D: A.M 11-9-04	C

DO NOT SCALE	tyco/Electronics North Attleboro, Massachusetts 02760	
	UNLESS OTHERWISE SPECIFIED TOLERANCES ARE:	DRAWN BY: D. AMARAL DATE: 4-15-04
	X, X ± .5 X, XX ± .25 X, XXX ± .051 ANGLES ± 1°	ENGINEER: A. MICHAUD DATE: 5-3-04
		MATERIAL: SEE NOTES FINISH: .

CONFIDENTIAL PROPERTY OF TYCO ELECTRONICS. NOT TO BE DISCLOSED TO OTHERS. REPRODUCED OR USED FOR ANY PURPOSES EXCEPT AS AUTHORIZED IN WRITING BY AN AUTHORIZED OFFICIAL OF TYCO. MUST BE RETURNED TO TYCO ON DEMAND, ON COMPLETION OF ORDER OR OTHER PURPOSES FOR WHICH LENT.

DIMENSIONS ARE IN: MILLIMETERS
SCALE: SEE DWG
THIRD ANGLE PROJECTION

TITLE: CUSTOMER DRAWING, RETENTION MODULE, W/HARDWARE	
TYCO PART NO.: SEE TABLE	SHEET 1 of 1
DWG. NO.: C-2-1542009-7	REV. C