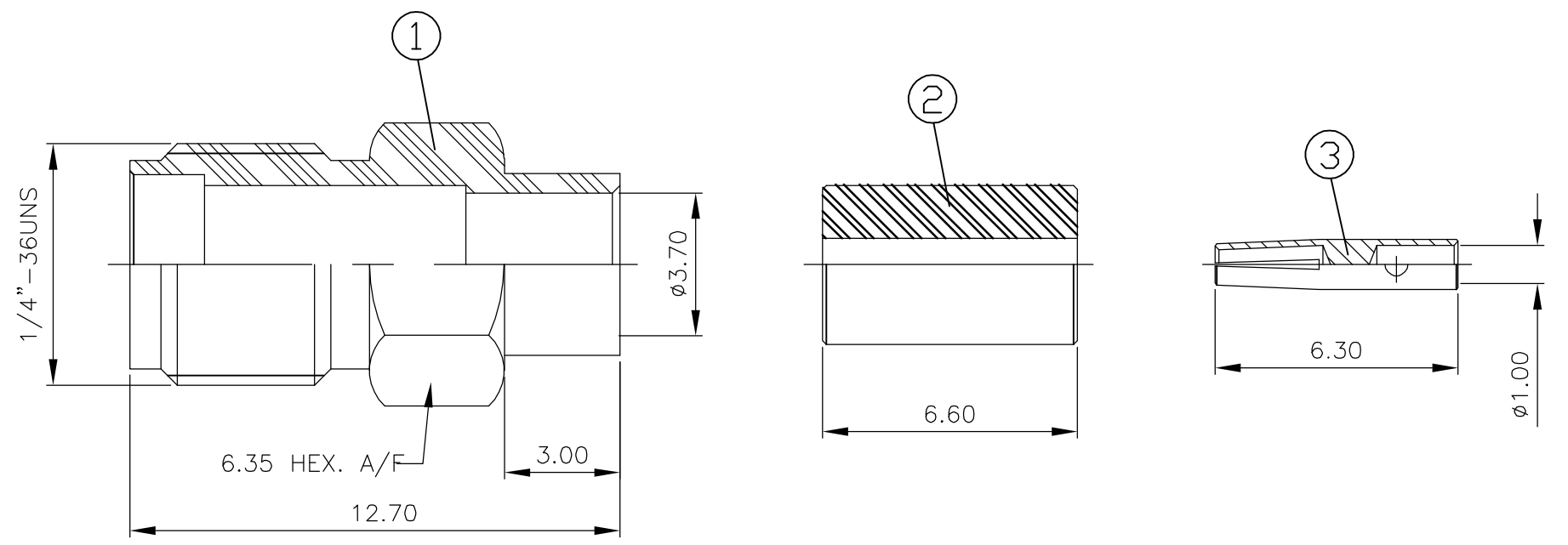


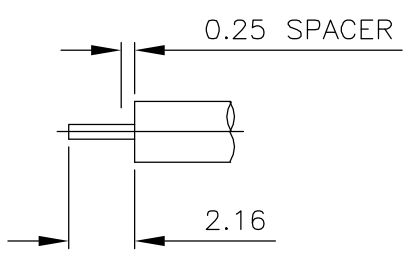
THIS DRAWING IS UNPUBLISHED. RELEASED FOR PUBLICATION APRIL, 2004.
 © COPYRIGHT 2004 BY TYCO ELECTRONICS CORPORATION. ALL RIGHTS RESERVED.

| LOC | DIST | REVISIONS | | | |
|-----|------|-------------|--------------|---------|--------|
| P | LTR | DESCRIPTION | DATE | DWN | APVD |
| E | B | A | EBD0-0035-03 | 30JAN04 | RS FWK |

- NOTES:
- 1 SINGLE PACK IN ACCORDANCE WITH SPEC 107-3275
 - 2 100 TRAY PACK IN ACCORDANCE WITH SPEC 107-3275
 - 3 0.08µm Au PLATING OVER 1.27µm Ni PLATING
 - 4 0.08µm Au PLATING OVER 1.27µm Ni PLATING OVER 0.76µm Cu PLATING
 - 5 0.76µm Au PLATING OVER 1.27µm Ni PLATING OVER 0.76µm Cu PLATING
 - 6 FOR TECHNICAL DATA REFER TO YOUR LOCAL TYCO ELECTRONICS SALES OFFICE
 - 7 ALL DIMENSIONS ARE NOMINAL FOR REFERENCE ONLY UNLESS OTHERWISE STATED



RECOMMENDED
CABLE STRIPPING DIM'S



| QTY | QTY | QTY | QTY | MATERIAL | DESCRIPTION | ITEM |
|------|------|------|------|--------------------|-------------|------|
| 1 | 1 | 1 | 1 | PTFE | INSULATOR | 3 |
| 1 | 1 | 1 | 1 | BERYLLIUM COPPER 5 | SOCKET | 2 |
| 1 | 1 | - | - | BRASS 4 | BODY | 1 |
| - | - | 1 | 1 | STAINLESS STEEL 3 | BODY | 1 |
| 3--1 | 3--0 | 1--1 | 1--0 | MATERIAL | DESCRIPTION | ITEM |
| 2 | 1 | 2 | 1 | | | |

| | | | | | |
|--|--|-----------------------------------|--|-------------------------|--------------------|
| THIS DRAWING IS A CONTROLLED DOCUMENT. | | DWN R.SMITH 30JAN04 | Tyco Electronics Corporation Bideford, UK, EX39 4HE | | |
| DIMENSIONS: mm | | CHK S.PARLOW 30JAN04 | | | |
| TOLERANCES UNLESS OTHERWISE SPECIFIED: | | APVD F.WHEELER-KING 30JAN04 | NAME SMA STRAIGHT JACK DIRECT SOLDER NON CAPTIVE CENTRE CONTACT RG402/U | | |
| 0 PLC ± - | | PRODUCT SPEC 108-3460 | SIZE A3 | | |
| 1 PLC ± - | | APPLICATION SPEC 411-3276 | CAGE CODE 00779 | DRAWING NO C-1478928 | RESTRICTED TO - |
| 2 PLC ± - | | WEIGHT - | SCALE 1:1 | | |
| 3 PLC ± - | | CUSTOMER DRAWING | | | |
| 4 PLC ± - | | SHEET 1 OF 1 | | | REV A |
| ANGLES ± - | | | | | |
| FINISH - | | | | | |
| MATERIAL SEE TABLE | | | | | |