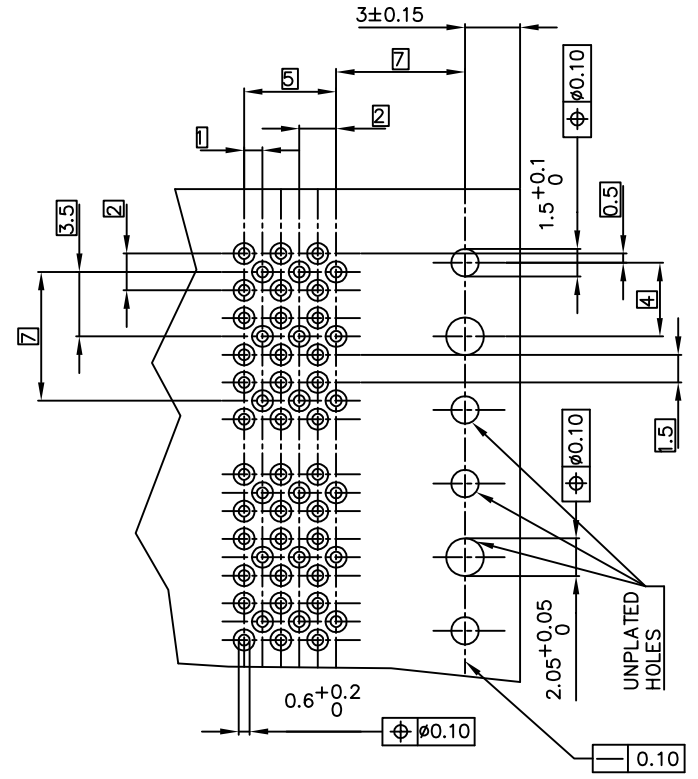
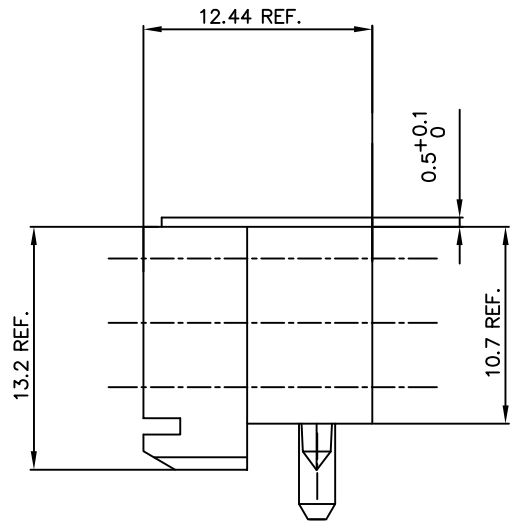
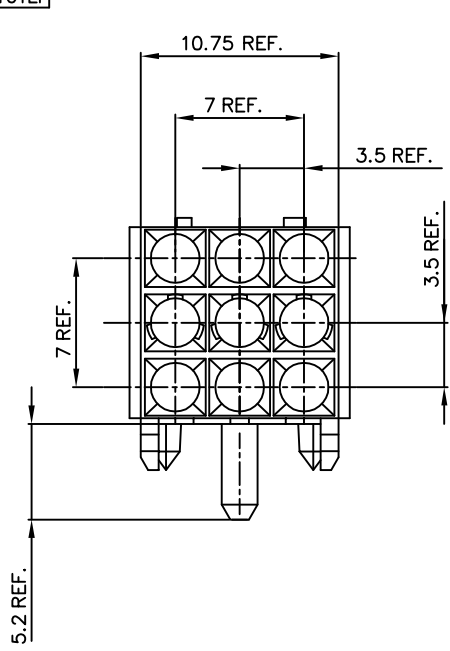
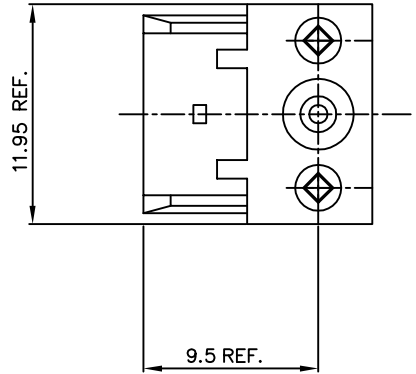
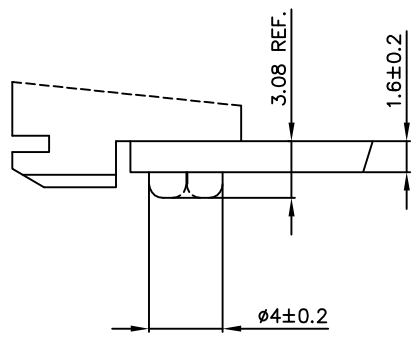


PRODUCT #
88974-101LF



ASSEMBLY AFTER HOT RIVETING.



RECOMMENDED HOLE PATTERN,
COMPONENT SIDE.

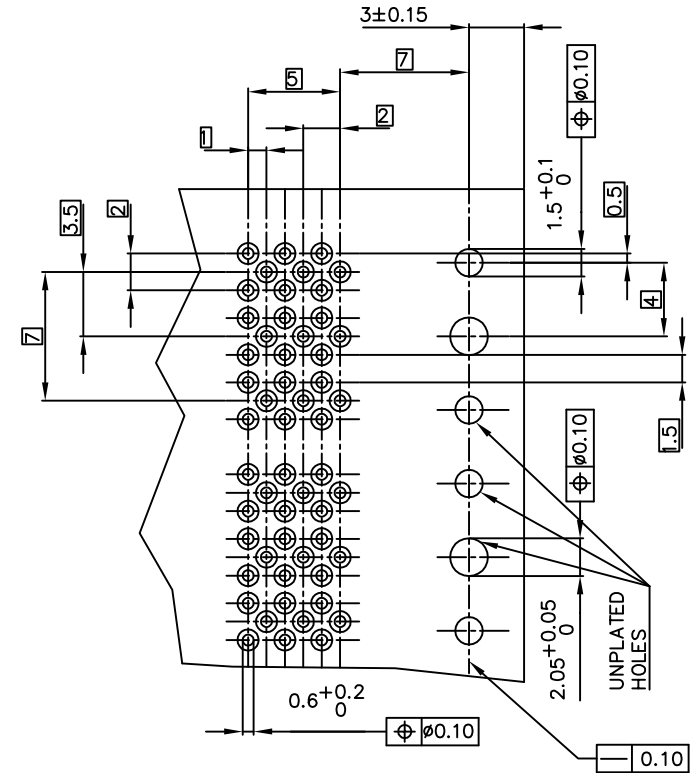
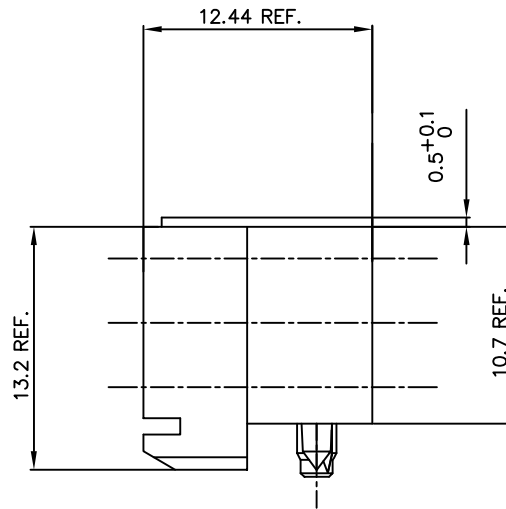
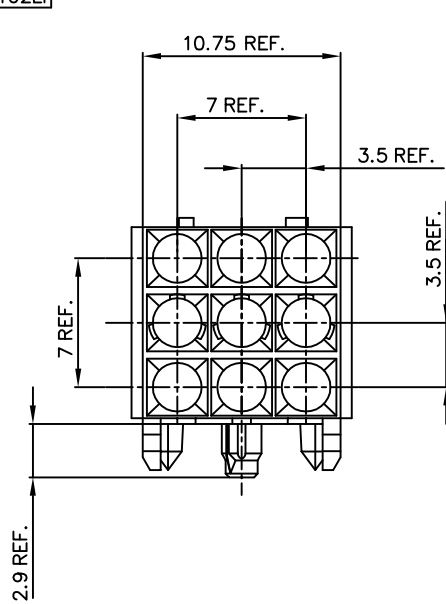
NOTES:

1. MATERIAL:
LIQUID CRYSTAL POLYMER 30% GLASS
FLAME RETARDANT ACC. UL 94-V0
COLOR NATURAL.
2. FOR PRESS PEG HOUSING SEE SHEET 2 OF 2.
3. THIS PRODUCT MEETS EUROPEAN UNION DIRECTIVES AND OTHER COUNTRY REGULATIONS AS DESCRIBED IN GS-22-008.
4. THE HOUSING WILL WITHSTAND EXPOSURE TO 260DEGREE PEAK TEMPERATURE FOR 10 SECONDS IN A WAVE SOLDER APPLICATION.

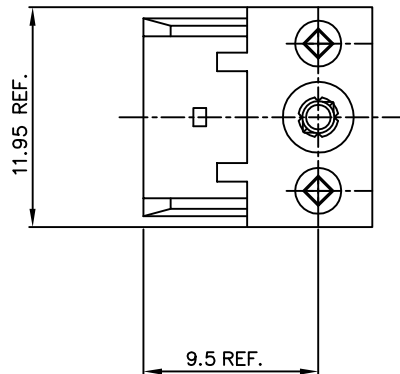
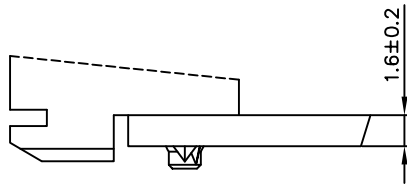
mat'l. code		tolerances unless otherwise specified		CUSTOMER COPY		ELECTRONICS	
SEE NOTE 1.				F C I		www.fciconnect.com	
ltr	ecm no	dr	date	linear	projection	title	
A	H10348	DAN	920424			R/A Female 3X3	
B	H30775	HBO	931215			Heat stake HSG	
C	H40355	DDB	940530	angles		product family	
D	H60799	DDB	961213	dr	D Andrews	920424	NETRAL (tm)
E	H90476	DDB	990816	eng	D Andrews	931215	code
F	pc05-048	CLU	051115	chr	P Schalk	920424	213
				app	D Andrews	920424	sheet
sheet	revision	F	F	scale	5:1		1 of 2
index	sheet	1	2	size	A2		88974

All rights are reserved. Reproduction or use in any form without the written permission of FCI is prohibited. FCI is a registered trademark of FCI.

PRODUCT #
88974-102LF



PRODUCT AFTER PC BOARD APPLICATION



RECOMMENDED HOLE PATTERN,
COMPONENT SIDE.

NOTES:

- MATERIAL:
LIQUID CRYSTAL POLYMER 30% GLASS
FLAME RETARDANT ACC. UL 94-V0
COLOR NATURAL.
- FOR HEAT STAKE HOUSING SEE SHEET 1 OF 2.
- THIS PRODUCT MEETS EUROPEAN UNION DIRECTIVES AND OTHER COUNTRY REGULATIONS AS DESCRIBED IN GS-22-008.
- THE HOUSING WILL WITHSTAND EXPOSURE TO 260DEGREE PEAK TEMPERATURE FOR 10 SECONDS IN A WAVE SOLDER APPLICATION.

mat'l. code SEE NOTE 1.		tolerances unless otherwise specified		CUSTOMER COPY		FCI ELECTRONICS www.fciconnect.com	
ltr	ecn no	dr	date	linear	projection	title R/A Female 3X3 Press peg HSG	
F				angles	mm	product family	code
		dr	H.Bouwknegt	921215		NETRAL (tm)	213
		eng	D.Andrews	931215		size	dwg no
		chr	D.Andrews	921216	scale	A2	88974
		app	H.Bouwknegt	921216	5:1		sheet
sheet	revision						2 of-
index	sheet						

PDM: Rev.F

STATUS: Released

Printed: May 19, 2011