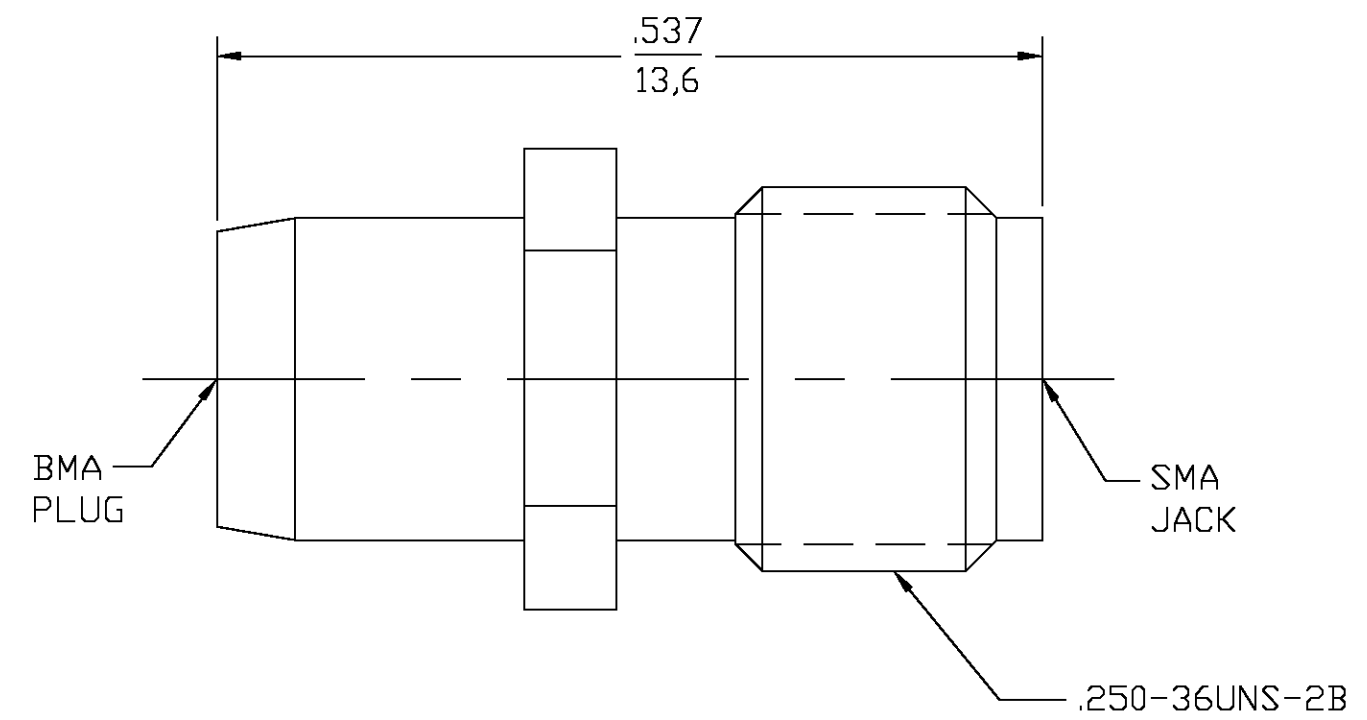
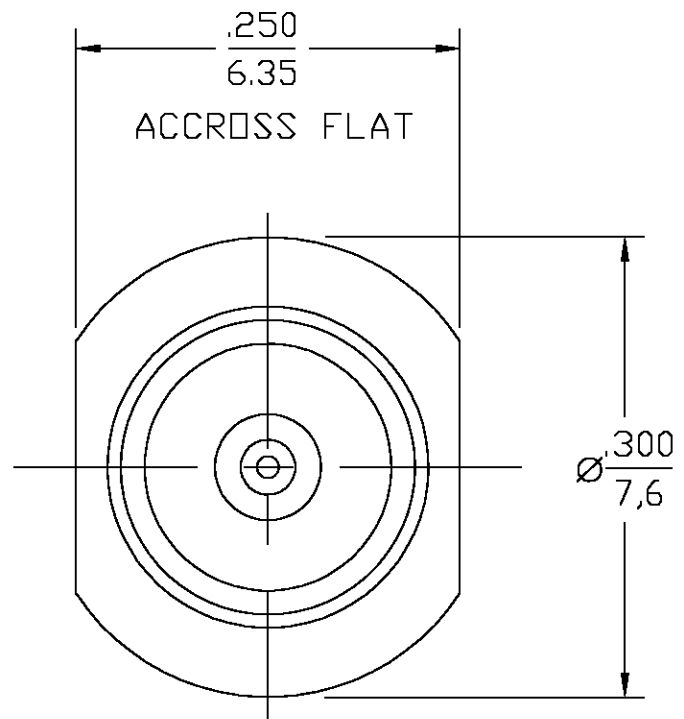


THIS DRAWING IS UNPUBLISHED. RELEASED FOR PUBLICATION  
 © COPYRIGHT BY TYCO ELECTRONICS CORPORATION. ALL RIGHTS RESERVED.

| LOC | DIST | REVISIONS |     |             |        |     |      |
|-----|------|-----------|-----|-------------|--------|-----|------|
| HC  | 00   | P         | LTR | DESCRIPTION | DATE   | DWN | APVD |
|     |      | A         |     | RELEASE     | 6/6/03 | -   | DCam |



- NOTES:
1. FREQUENCY RANGE: DC TO 18 GHz
  2. VSWR: 1.05 +.005 f(GHz)
  3. INSERTION LOSS: .06 √f(GHz)
  4. CAPTURED CENTER CONTACT

|            |   |                               |
|------------|---|-------------------------------|
| HOUSING    | STAINLESS STEEL<br>ASTM-A484 & ASTM-A582<br>TYPE 303        | PASSIVATE PER<br>QQ-P-35      |
| CONTACT    | BERYLLIUM COPPER PER<br>ASTM-B-196, ALLOY<br>C17300, COND H | GOLD PLATE PER<br>MIL-G-45204 |
| DIELECTRIC | PTFE FLUOROCARBON<br>PER ASTM-D-4894                        | N/A                           |
| COMPONENT  | MATERIAL  | FINISH                        |

1059716-1  
PART NO

|  |        |   |                  |   |
|--|--------|---|------------------|---|
| THIS DRAWING IS A CONTROLLED DOCUMENT.   |        | DWN<br>PVC  | 4/29/82          | Tyco Electronics Corporation<br>Norwood, MA 02062 |
| DIMENSIONS:<br>INCHES / mm   |        | CHK<br>RAL  | 4/29/82          |   |
|  |        | APVD<br>JK  | 4/29/82          |   |
| TOLERANCES UNLESS OTHERWISE SPECIFIED:<br>0 PLC ± -<br>1 PLC ± -<br>2 PLC ± -<br>3 PLC ± .005<br>4 PLC ± -<br>ANGLES ± 1 |        | NAME<br>BMA (OSP) PLUG TO SMA JACK<br>ADAPTER<br>(4582-2240-02) |                  |   |
| MATERIAL   | FINISH | PRODUCT SPEC  | APPLICATION SPEC | RESTRICTED TO                                     |
| -  | -      | -   | -                | -   |
| CUSTOMER DRAWING   |        | SIZE  | CAGE CODE        | DRAWING NO  |
|  |        | A3  | 00779            | ©-1059716   |
|  |        | SCALE   | SHEET            | REV   |
|  |        | 8:1   | 1 OF 1           | A   |