

General Specifications

Motor Protection:

Auto Restart/Polarity Protection

Insulation Resistance:

10M Ω or over with a DC500V Megger

Dielectric Withstand Voltage: AC 700V 1s

Allowable Ambient Temperature Range:

-10°C ~ +70°C (Operating)

-40°C ~ +70°C (Storage)

(non-condensing environment)

Expected Life

40°C 50,000 Hours (L10)

Material

Casing : Plastic (Black) UL94V-0

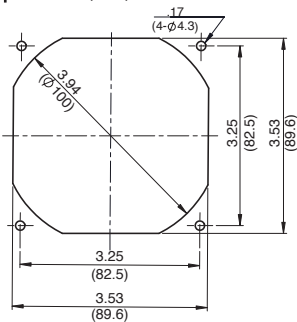
Impeller : Plastic (Black) UL94V-0

Bearing : Sleeve Bearing

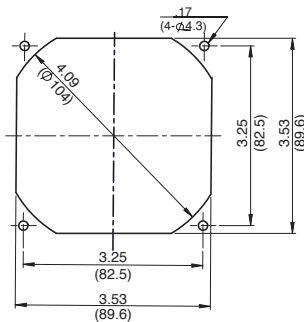
Lead Wire : UL1007, AWG26, +Red, -Black, (tach White)

Panel Cut-Outs

Units: $\frac{\text{inch}}{\text{mm}}$

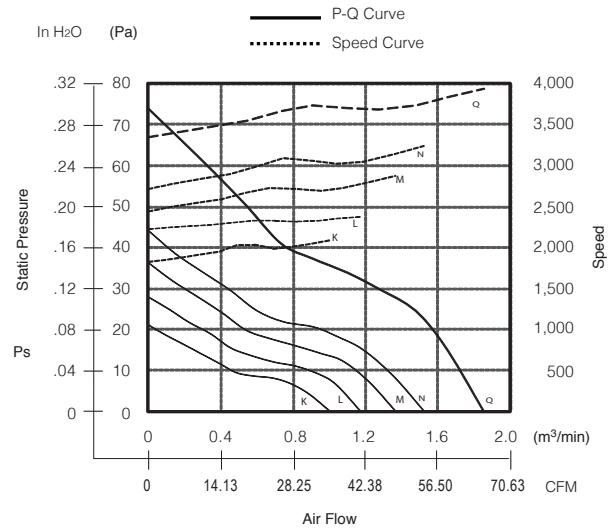


INLET SIDE

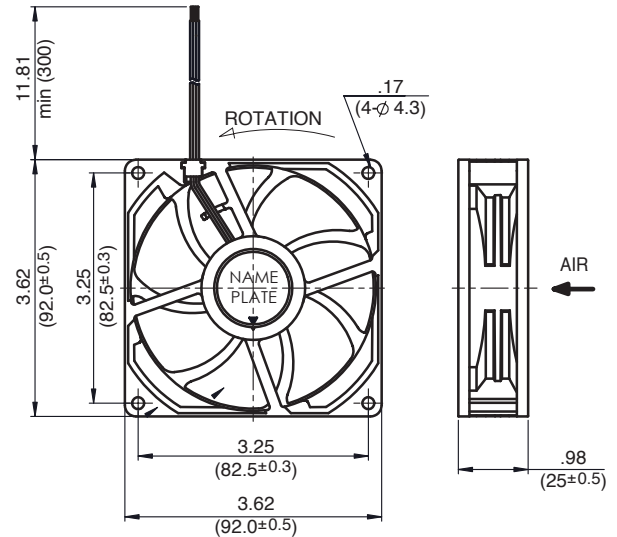


OUTLET SIDE

Characteristic Curves



Outline



Specifications

MODEL	Rated Voltage	Operating Voltage	Current	Input Power	Speed	Max. Air Flow		Max. Static Pressure		Noise	Mass
	(V)	(V)	(A) ^{*1}	(W) ^{*1}	(min ⁻¹) ^{*1}	CFM ^{*1}	(m ³ /min) ^{*1}	in H ₂ O	(Pa) ^{*1}	(dB) ^{*1}	(g)
09225SS-12K-AT-D0	12	6.0 ~ 13.8	0.07	0.84	2050	33.55	0.95	.09	21.5	22.0	102
09225SS-12L-AT-D0	12	6.0 ~ 13.8	0.09	1.09	2400	39.91	1.13	.12	29.0	25.0	102
09225SS-12M-AT-D0	12	6.0 ~ 13.8	0.14	1.68	2750	45.20	1.28	.15	36.2	29.0	102
09225SS-12N-AT-D0	12	6.0 ~ 13.8	0.16	1.92	3100	51.21	1.45	.18	45.0	32.0	102
09225SS-12Q-AT-D0	12	7.0 ~ 13.8	0.28	3.36	3900	64.98	1.84	.29	73.0	40.0	102

Rotation: Clockwise

Airflow Outlet: Air Out Over Struts

*1: Average Values in Free Air

Note: PWM/Locked Rotor/Tach Available

Specifications

MODEL	Rated Voltage	Operating Voltage	Current	Input Power	Speed	Max. Air Flow		Max. Static Pressure		Noise	Mass
	(V)	(V)	(A) ^{*1}	(W) ^{*1}	(min ⁻¹) ^{*1}	CFM ^{*1}	(m ³ /min) ^{*1}	in H ₂ O	(Pa) ^{*1}	(dB) ^{*1}	(g)
09225SS-24K-AT-D0	24	15.0 ~ 27.6	0.06	1.44	2050	33.55	0.95	.09	21.5	22.0	102
09225SS-24L-AT-D0	24	15.0 ~ 27.6	0.07	1.68	2400	39.91	1.13	.12	29.0	25.0	102
09225SS-24M-AT-D0	24	15.0 ~ 27.6	0.09	2.16	2750	45.20	1.28	.15	36.2	29.0	102
09225SS-24N-AT-D0	24	15.0 ~ 27.6	0.12	2.88	3100	51.21	1.45	.18	45.0	32.0	102
09225SS-24Q-AT-D0	24	12.0 ~ 27.6	0.14	3.36	3900	64.98	1.84	.29	73.0	40.0	102

Rotation: Clockwise

Airflow Outlet: Air Out Over Struts

*1: Average Values in Free Air

Note: PWM/Locked Rotor/Tach Available