

LULZBOT® TAZ6

Desktop 3D Printer

Specifications

Printing

Print Technology	Fused Filament Fabrication
Print Area	280mm x 280mm x 250mm (11.02in x 11.02in x 9.80in)
Print Volume	19,600cm ³ (1,185in ³)
Recommended Operating Temperature	From 5°C to 45°C (41°F to 113°F)
Operating Footprint	82cm x 65.5cm (32.28in x 25.8in)
Operating Sound Level	45-55dB
Maximum Movement Speed	300mm/s
Print Surface Leveling	Automatic Compensation
Connectivity	USB and Included 8GB SD Card
Extruder/Hot End	LulzBot v2 All Metal Hot End
Nozzle Diameter	0.5mm
Filament Diameter	2.85mm
Maximum Extrusion Rate	16mm ³ /s
Nozzle Material	Beryllium Copper
Nozzle Temperature	Up to 290°C (554°F)
Nozzle Heat Up Time	From 27°C to 230°C (80°F to 446°F) in 2 minutes, 55 seconds
Print Surface	Heated Borosilicate Glass with PEI Surface
Maximum Print Surface Temperature	Up to 120°C (248°F)
Print Surface Heat Up Time	From 27°C to 100°C (80°F to 212°F) in 7 minutes, 11 seconds
Layer Resolution	0.05mm-0.4mm (0.002in-0.016in)
Minimum Positive Feature Size	0.5mm (0.02in)

Print Area

280mm x 280mm x 250mm
(11.02in x 11.02in x 9.8in)

Print Volume

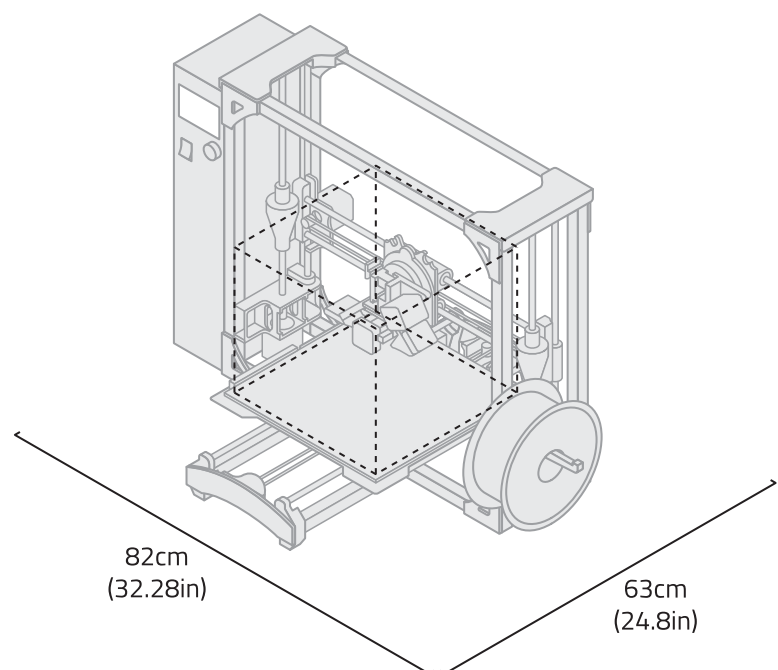
19,600cm³ (1,185in³)

Operating Footprint

82cm (32.28in) x 63cm (24.8in)

Recommended Clearance

30.5cm (12in) on all sides



Physical Dimensions

Boxed Unit Weight
19.5kg (43lbs)

Unit Weight
14.97kg (33lbs) without filament spool

Dimensions with reel
82cm x 63cm x 52cm
(32.28in x 24.8in x 20.47in)

Optional Upgrades

Aerostruder

Print both rigid and flexible materials with this versatile tool head.

MOARstruder

A high output toolhead for high-speed, high-strength prints.

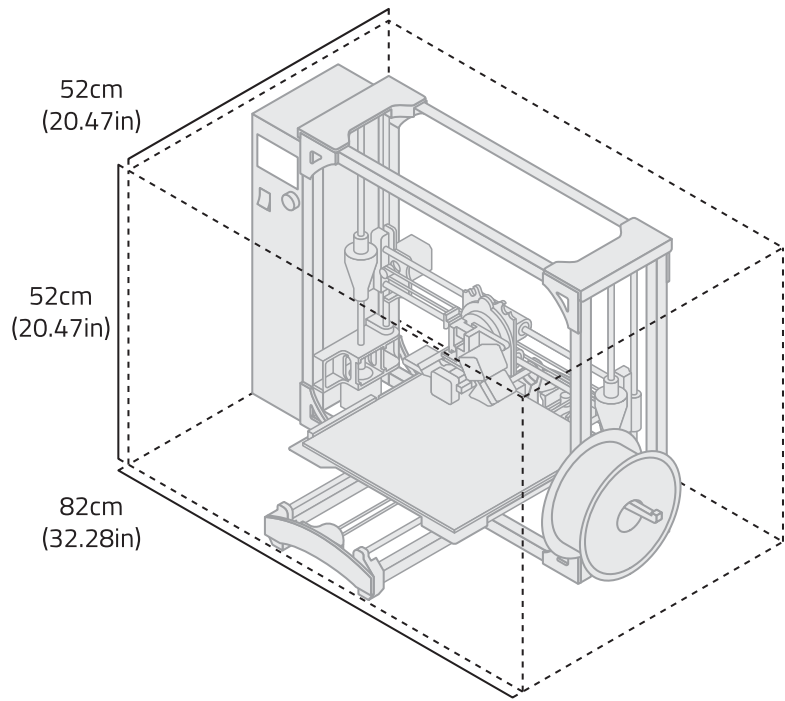
Dual Extruder v3

Dual nozzles designed to utilize soluble support material and allow for geometric freedom.

Aerostruder v2 Tool Head Line

The next generation of modular tool heads allow for easy tool head swapping and a variety of nozzle sizes to fit every project. An Aerostruder v2 Adapter Kit is required to install Aerostruder v2 tool heads on the TAZ 6.

Learn more about tool head upgrades at <https://www.lulzbot.com/store/tool-heads>



Materials

Open filament system compatibility

PLA, Natural and Metal PLA Blends, ABS, PETG, nGen, INOVA-1800, HIPS, t-glase, Alloy 910, Polyamide, Nylon 645, Polycarbonate, PC-Max, PC+PBT, PC-ABS Alloy, PCTPE, and more.

Software

Operating System Compatibility

GNU/Linux, Mac, Windows

Recommended Software

Cura LulzBot Edition Version 3.2 or newer

Firmware

Marlin

Supported File Types

.stl, .obj, .g, .gcode, .x3d, .3mf, .png, .jpg

Electrical

Power Requirements

100VAC-240VAC

Output

24 volt DC, 500 wats, 21 amps

Power Supply

Auto-switching MEAN WELL RSP-500-24

Safety and Compliance

Certifications

FCC, CE, WEEE, OSHWA, FSF-RYF

Warranty

Includes one-year warranty and access to technical support seven days a week. Optional one, two, or three-year extended warranty and support terms are available.

Country of Origin

Made in USA from domestic and imported components.

LulzBot.com/TAZ6 | sales@LulzBot.com | +1-970-377-1111

LulzBot is a registered trademark of Aleph Objects, Inc.