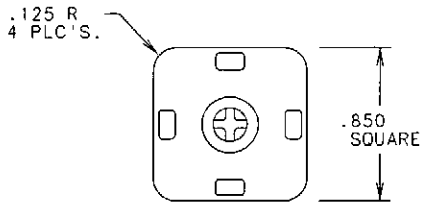
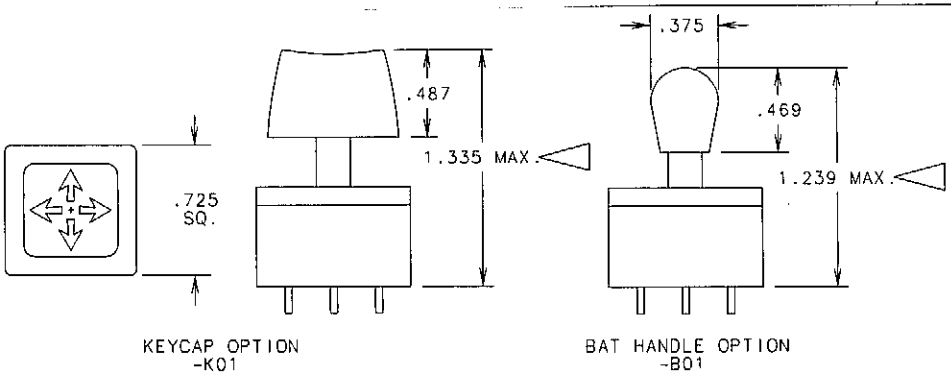
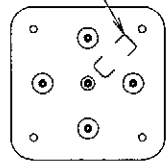
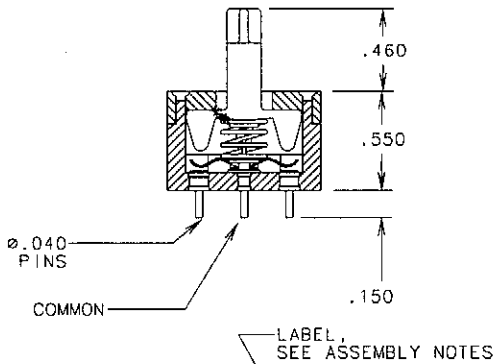
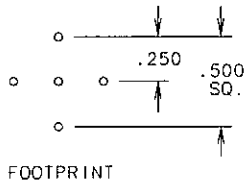


NOTES:

1. RATED TO MAKE AND BREAK 250 mA, 115 VAC. RES. FOR 500,000 OPERATIONS.
2. CONTACT RESISTANCE: 25 mΩ MAX.
3. INSULATION RESISTANCE: 1000 MEGAOHMS AT 100 VDC.
4. DIELECTRIC STRENGTH: 500 VAC RMS MINIMUM.
5. MATERIALS AND FINISHES:
  - BASE, COVER & ACTUATOR ARE RYTON 10 (BLACK).
  - OPTIONAL KEYCAP IS CYCOLAC GRADE "T" ABS OR EQUIVALENT (GRAY BLACK)
  - OPTIONAL BAT HANDLE IS CYCOLAC GRADE "T" ABS OR EQUIVALENT (BLACK).
  - CONTACTS ARE BRASS. SHORTING BAR IS PHOSPHORUS BRONZE (GOLD PLATED OVER NICKEL.)
  - RETURN SPRINGS ARE TINNED MUSIC WIRE.



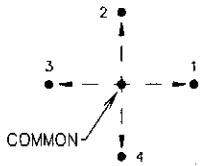
ALL REVISIONS TO THIS DRAWING MUST BE MADE ON THE CAD SYSTEM



| SALES PART NUMBER | BUTTON TYPE       |
|-------------------|-------------------|
| 04A               | NONE              |
| 04A-K01           | KEYCAP W/ ARROWS  |
| 04A-K02           | KEYCAP W/O ARROWS |
| 04A-B01           | BAT HANDLE        |

REFERENCE NOTES:

1. GRAYHILL STANDARD 04A.
2. OPTIONAL KEYCAP OR BAT HANDLE WILL BE INSTALLED BY GRAYHILL.



CIRCUIT DIAGRAM

WHEN ACTUATOR IS IN REST POSITION, NO CONTACTS ARE MADE. MOVEMENT OF ACTUATOR TOWARD ANY SWITCH POSITION PROVIDES MOMENTARY CONTACT TO THAT POSITION.

UNLESS OTHERWISE SPECIFIED TOLERANCES AND DIMENSIONS ARE IN INCHES  
 LINEAR ± .010 DIAMETERS ± .005  
 ANGULAR ± 1°  
 LIMITS APPLY BEFORE FINISHING  
 DO NOT SCALE THIS PRINT

CRITICAL CHARACTERISTIC FLAGS PER GRAYHILL SPEC.SOP2338

- ▲ -- CRITICAL CHARACTERISTIC FLAG
- -- Cpk REQUIRED
- Ⓜ -- S.P.C. FLAG (CONTROL CHART REQ'D ON FEATURE SPECIFIED)

|               |             |
|---------------|-------------|
| APPROVED DATE | DDK 8-8-86  |
| CHECKED DATE  | RAB 8-8-86  |
| DRAWN DATE    | RAB 6-26-86 |
| FINISH        | NOTED       |
| MATERIAL      | NOTED       |

**Grayhill** GRAYHILL, INC.  
 561 HILLGROVE AVE. PHONE (708)  
 LA GRANGE, IL 60525 354-1040

4 WAY SWITCH

|             |             |          |       |
|-------------|-------------|----------|-------|
| CAGE NO.    | B           | DWG. NO. | ISSUE |
| 81073       | SIZE        | 04       |       |
| SCALE 1.5:1 | UNIT WEIGHT |          |       |