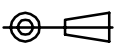

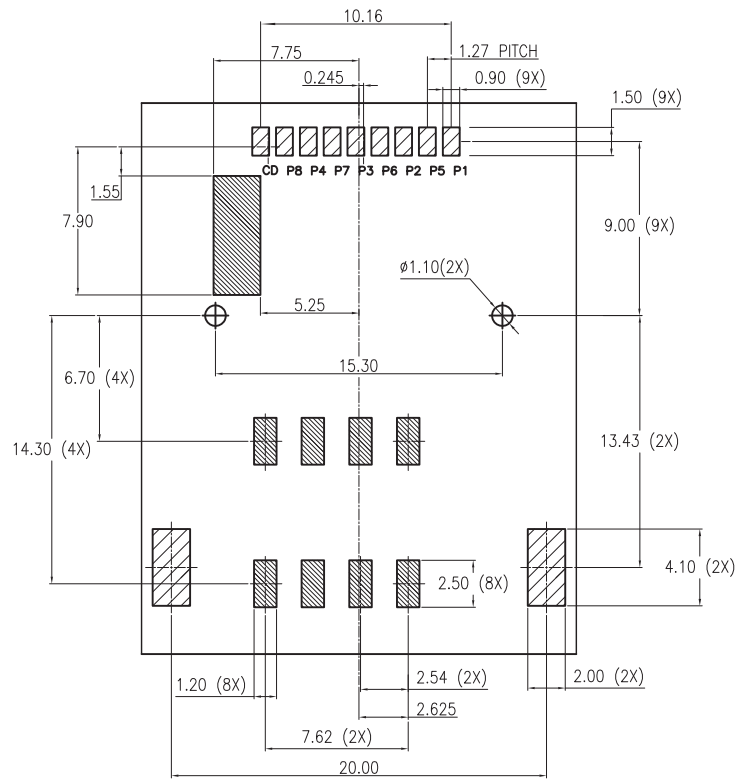
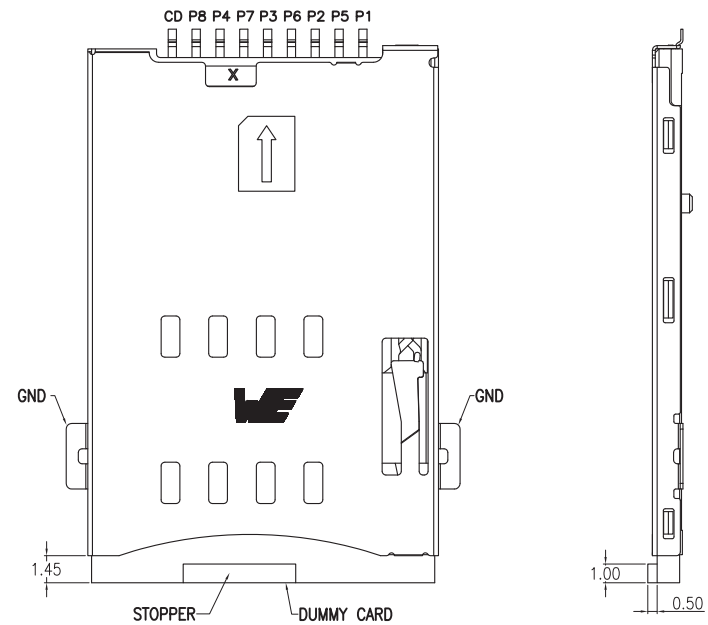


RoHS Compliant				PROJECTION: 	GENERAL TOLERANCE .X = +/- 0.2 .XX = +/- 0.15		DESCRIPTION: WR-CRD Mega SIM_Push and Push_8 pins	SIZE A4
G								
F								
E								
D				APPROVAL: RJ	UNIT: MM	WERI PART NO: 693 013 050 811	SIZE A4	
C	04-MAR-13	«UNLOCK» & DIM 9.0	QL		SCALE:			
B	02-JAN-13	PART N° - PAGE 2	QL		SHEET: 1/3			
A	08-JUL-12	PDF	GG		DRAW: VICKY			
REV	DATE	FILE	BY					

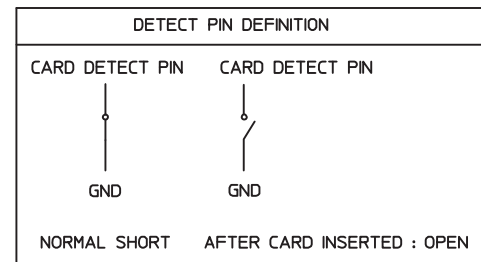


RECOMMENDED PCB LAYOUT
(GENERAL TOLERANCE ±0.05)

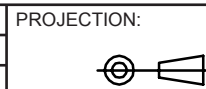
- CIRCUIT TRACE KEEP OUT AREA
- SOLDERING PAD AREA



CONNECTOR WITH DUMMY CARD



RoHS Compliant			
G			
F			
E			
D			
C			
B			
A			
REV	DATE	FILE	BY



GENERAL TOLERANCE
.X = ± 0.2
.XX = ± 0.15



APPROVAL: RJ

UNIT: MM

DESCRIPTION: WR-CRD Mega SIM_Push and Push_8 pins

SCALE:

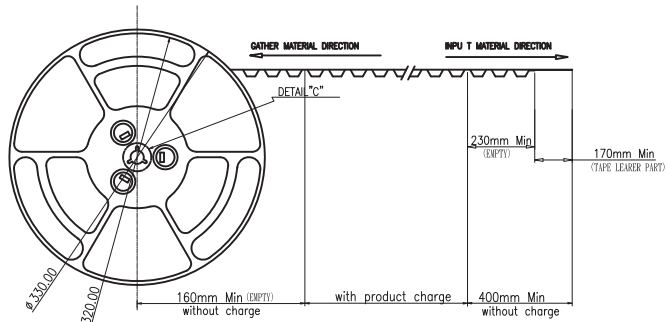
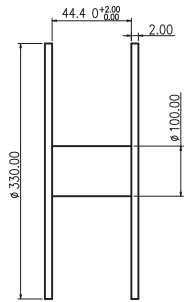
WERI PART NO: 693 013 050 811

SHEET: 2/3

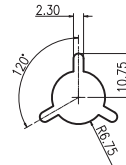
DRAW: VICKY

SIZE

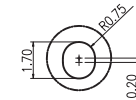
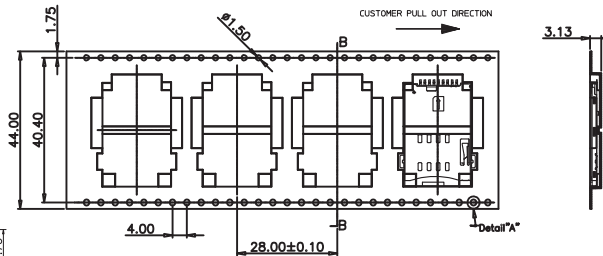
A4



SCALE 1:3



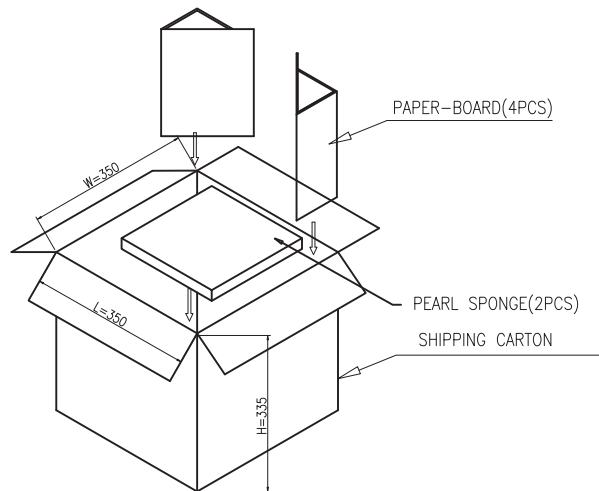
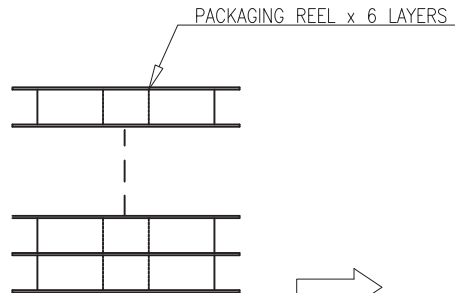
DETAIL "C"



DETAIL "D"

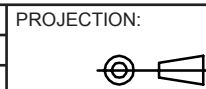
NOTES:

1. STAPLES SHOULD ONLY BE USED TO SET UP CARTON. ALL CARTON CLOSURES MUST BE DONE WITH TAPE.
2. FILL PACKAGING EMBOSSED TAPE WITH THE QUANTITIES AS INDICATED IN THE CHART.
3. A QUANTITY OF 600 CONNECTORS PER REEL. A QUANTITY OF 3600 CONNECTORS PER SHIPPING CARTON.



PCS/REEL	600
REEL/BOX	6
TOTAL (PCS)	3600
CTN SIZE	350*350*335MM
GW	5.76 KG
NW	8.65 KG
REEL MATERIAL	PS ,TRANSPARENT

RoHS Compliant			
G			
F			
E			
D			
C			
B			
A			
REV	DATE	FILE	BY



GENERAL TOLERANCE
 .X = +/- 0.2
 .XX = +/- 0.15



APPROVAL: RJ

UNIT: MM

DESCRIPTION: WR-CRD Mega SIM_Push and Push_8 pins

SCALE:

SHEET: 3/3

WERI PART NO: 693 013 050 811

DRAW: VICKY

SIZE
A4