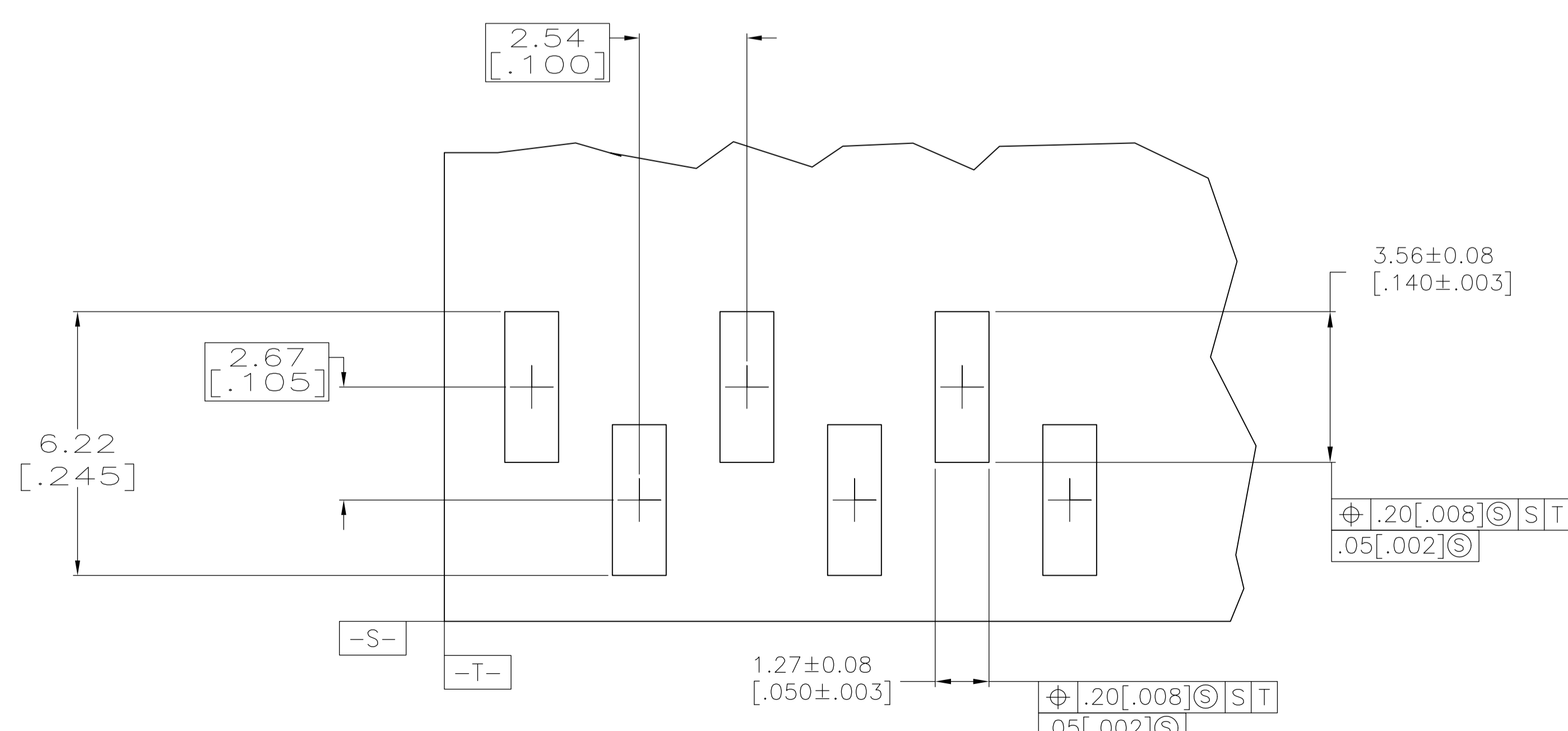
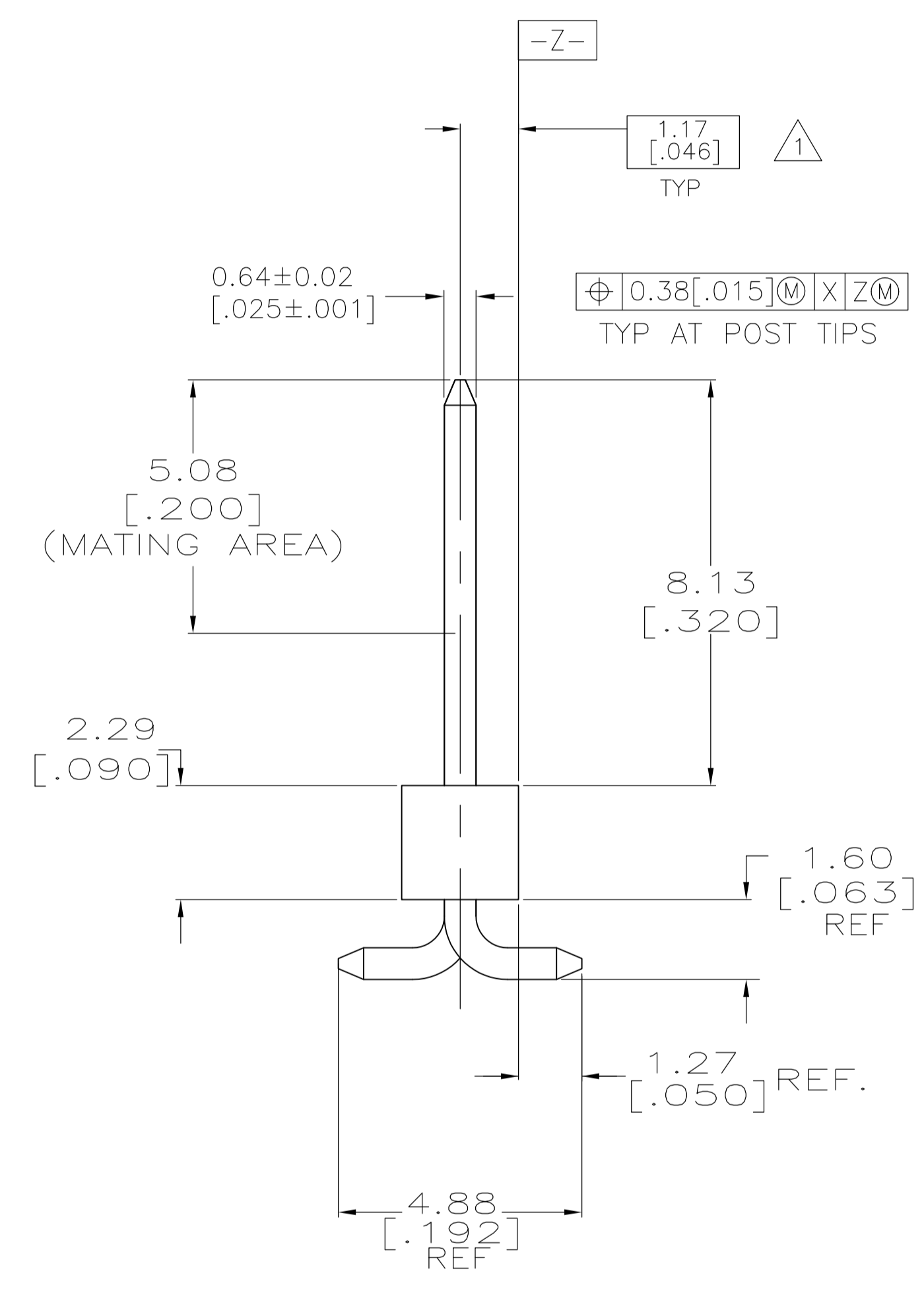
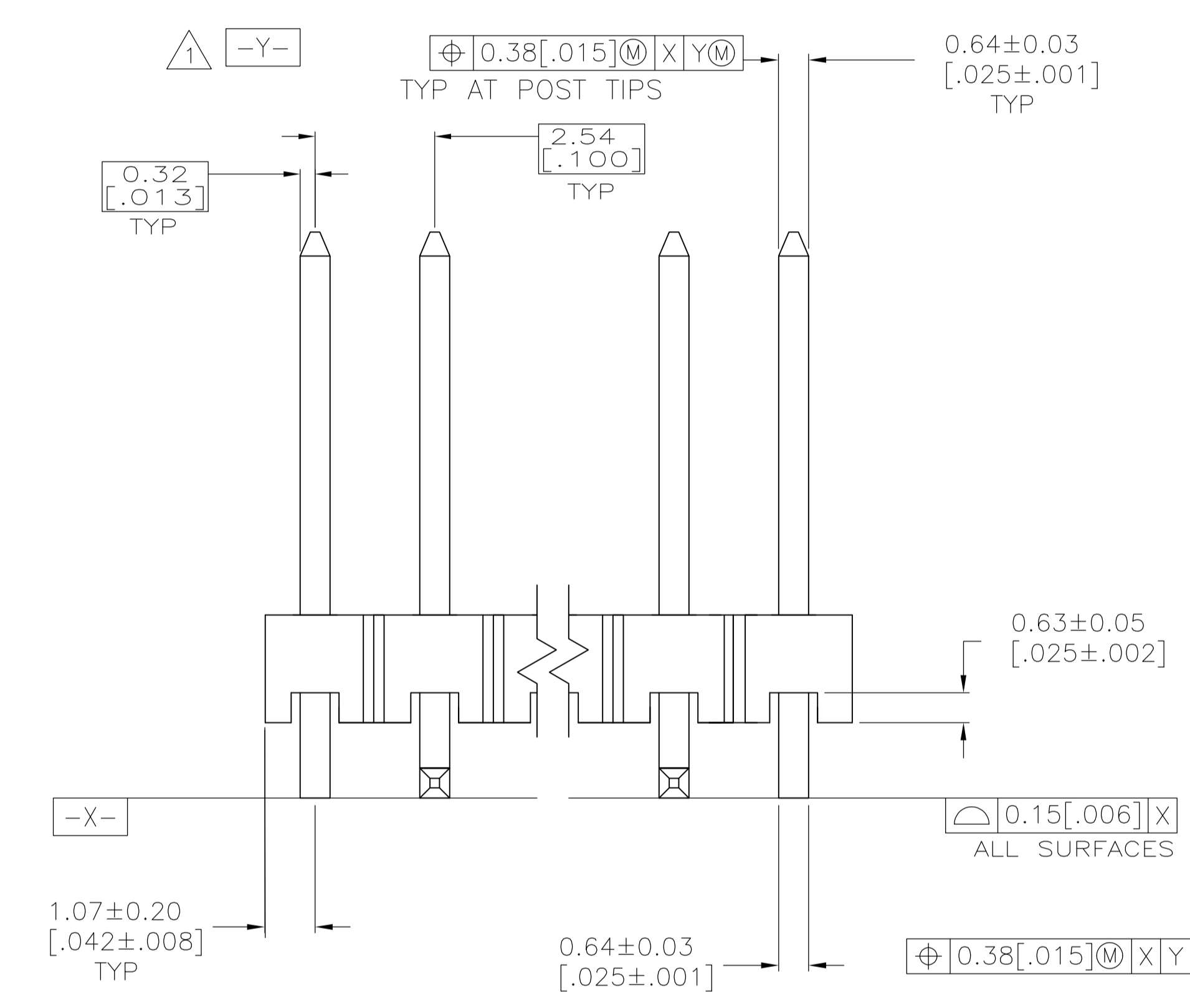


- 1 THE NOTED DIMENSIONS APPLY AT THE INTERSECTION OF THE POST AND THE HOUSING.
- 2 0.00254[.000100]-0.00508[.000200] MATTE TIN-LEAD OVER
0.00127[.000050] NICKEL ENTIRE POST.
- 3 HOUSING: LCP, COLOR-BLACK.
POSTS: PHOSPHOR BRONZE.
- 4 0.00254[.000100]-0.00508[.000200] MATTE TIN OVER
0.00127[.000050] NICKEL ENTIRE POST.
- 5 PRELIMINARY PART - NOT RELEASED FOR PRODUCTION.
- 6 OBSOLETE PARTS: OBSOLETE CIS STREAMLINING PER D.RENAUD/D.SINISI



RECOMMENDED PCB LAYOUT FOR USE WITH .008 THICK STENCIL

OBSOLETE	4	35.56 [1.400]	14	35.69 [1.484]	15	6-146133-3
	4	33.02 [1.300]	13	33.15 [1.384]	14	6-146133-2
	4	30.48 [1.200]	12	30.61 [1.284]	13	6-146133-1
	4	27.94 [1.100]	11	28.07 [1.184]	12	6-146133-0
	4	25.40 [1.000]	10	27.53 [1.084]	11	5-146133-9
	4	22.86 [0.900]	9	24.99 [0.984]	10	5-146133-8
OBSOLETE	4	20.32 [0.800]	8	22.45 [0.884]	9	5-146133-7
	4	17.78 [0.700]	7	19.91 [0.784]	8	5-146133-6
	4	15.24 [0.600]	6	17.37 [0.684]	7	5-146133-5
OBSOLETE	4	12.70 [0.500]	5	14.83 [0.584]	6	5-146133-4
	4	10.16 [0.400]	4	12.29 [0.484]	5	5-146133-3
	4	7.62 [0.300]	3	9.75 [0.384]	4	5-146133-2
OBSOLETE	4	5.08 [0.200]	2	7.21 [0.284]	3	5-146133-1
	4	17.78 [0.700]	7	19.91 [0.784]	8	1-146133-5
	2	35.56 [1.400]	14	35.69 [1.484]	15	1-146133-3
	2	33.02 [1.300]	13	33.15 [1.384]	14	1-146133-2
	2	30.48 [1.200]	12	30.61 [1.284]	13	1-146133-1
	2	27.94 [1.100]	11	28.07 [1.184]	12	1-146133-0
	2	25.40 [1.000]	10	27.53 [1.084]	11	146133-9
	2	22.86 [0.900]	9	24.99 [0.984]	10	146133-8
	2	20.32 [0.800]	8	22.45 [0.884]	9	146133-7
	2	17.78 [0.700]	7	19.91 [0.784]	8	146133-6
OBSOLETE	2	15.24 [0.600]	6	17.37 [0.684]	7	146133-5
	2	12.70 [0.500]	5	14.83 [0.584]	6	146133-4
OBSOLETE	2	10.16 [0.400]	4	12.29 [0.484]	5	146133-3
	2	7.62 [0.300]	3	9.75 [0.384]	4	146133-2
OBSOLETE	2	5.08 [0.200]	2	7.21 [0.284]	3	146133-1
PLATING	C	B	A	NO OF POSN	PART NUMBER	

THIS DRAWING IS A CONTROLLED DOCUMENT.

DIMENSIONS: mm [INCHES]	TOLERANCES UNLESS OTHERWISE SPECIFIED:	DMN	APVO
0. PLC ± -	0.00254 [0.000100]	J. KNAUB	G. DUBNICZKI
1. PLC ± -	0.00508 [0.000200]	30SEP94	30SEP94
2. PLC ± -	0.00127 [0.000050]		
3. PLC ± -	0.00254 [0.000100]		
4. PLC ± -	0.00508 [0.000200]		
ANGLES ± -	0.00127 [0.000050]		
MATERIAL	FINISH	WEIGHT	RESTRICTED TO
-	SEE TABLE	-	A1 00779 C=146133
			CUSTOMER DRAWING

Scale: 1:1, Sheet 1 of 1, Rev L2