

1 2 3 4 5 6 7

A

B

C

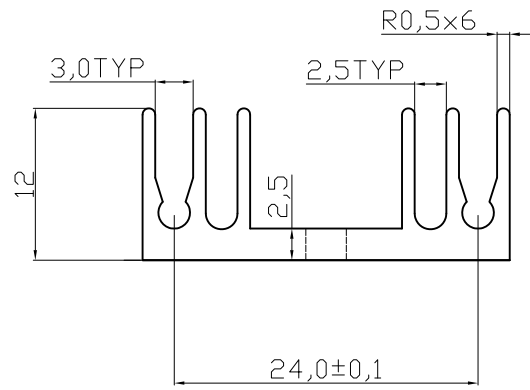
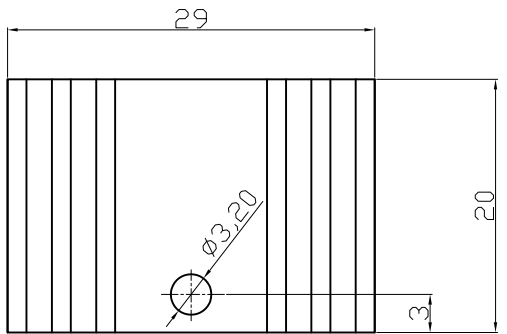
D

E

F

G

H



Material: AL6063-T5
Finished: Black Anodized

Option	Thermal resistance(K/W)	Hole pattern	L
V4330N	12	TO-220	20

RoHS compliant
Unit: mm

Scale	Free					Date	Name	Customer-No.
TOLERANCE						Drawn	11.08.2009	Dean
X.	±X	④	Change production plant	07.06.2013	Amy	Approved	07.06.2013	Amy
X.X	±X	③	Modify P/N and drawing	26.04.2010	Dean			
UNIT	±0.3	②	Modify drawing layout	10.03.2010	Alex			
DIM	Tol	①	Drawn	11.08.2009	Dean			
X.°	±X°							
X.X°	±X°							
Angle	TOL	Id.	Modification	Date	Name			

Customer-No.	
ASSMANN WSW-No. V4330N	
Drawing-No.	rev
ASS 0458 HS	rev04
Replace	Sheet



1 2 3 4 5 6 7