

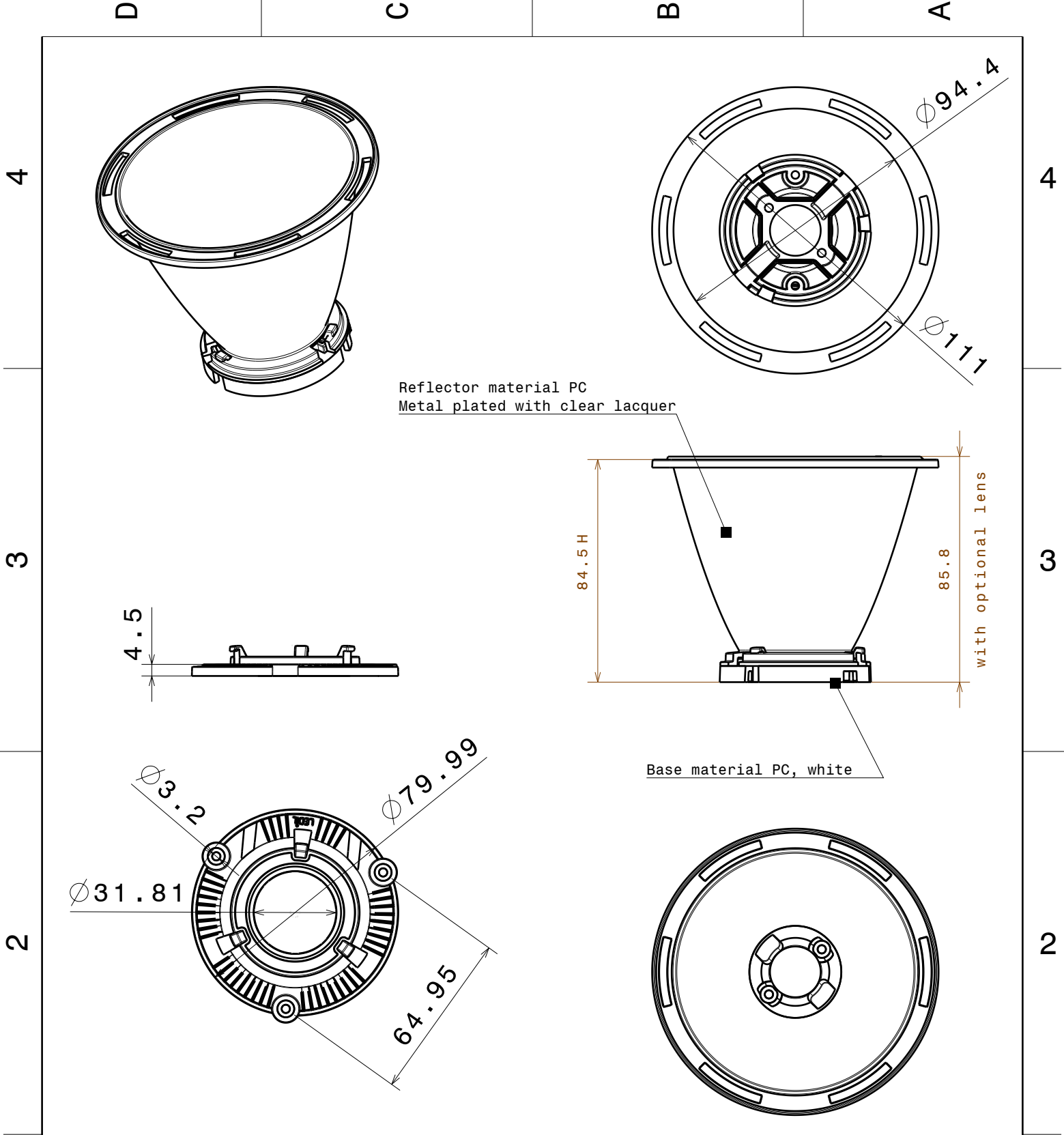
DETAILS

Product Number	CN13601_LENA-SS-DL
Family	Lena
Type	RefPack
Color	metal
Diameter	111 mm
Height	80 mm
Style	round
Optic Material	PC
Holder Material	
Fastening	socket, screw
Status	production ready
ROHS Compliant	Yes
Date Updated	25/06/2014

OPTICAL PROPERTIES

LED	Viewing Angle	Light Beam	Effi- ciency	cd/lm	Connector
BXRA RS	25 deg	Smooth spo...	76 %	2.780	-





This drawing is our property.
It can't be reproduced
or communicated without
our written agreement.



Ledil Oy
Salorankatu 10
FIN-24240 SALO
Finland

DRAWING TITLE

Datasheet Lena-BXRA-RS-assembly

DRAWN BY
ah

DATE
10.1.2012

CHECKED BY
pl

DATE
10.1.2012

SIZE
A4

DRAWING NUMBER

REV
2

DESIGNED BY
pl

DATE
01.04.2011

SCALE 1:2

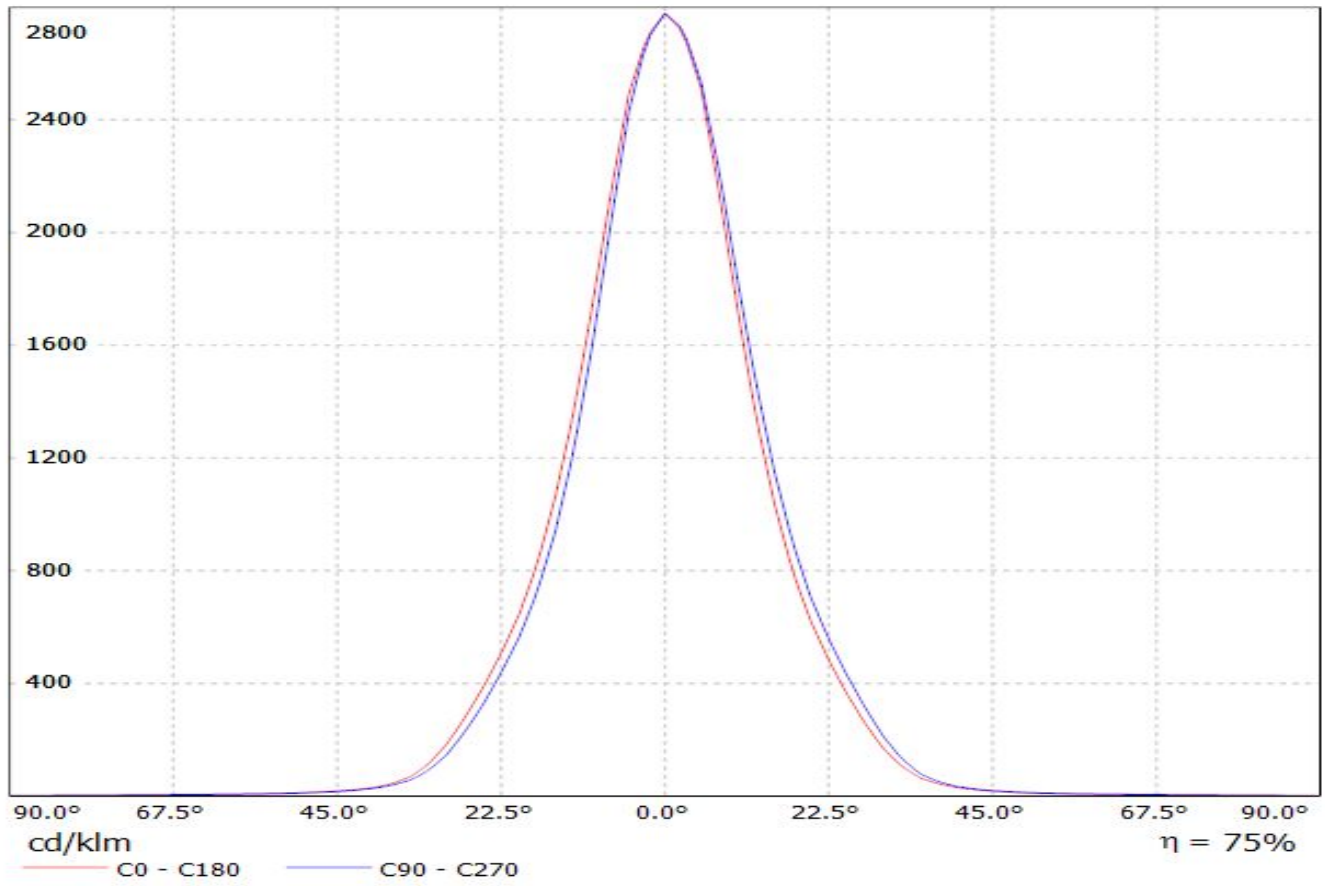
WEIGHT (g)

SHEET 1/1

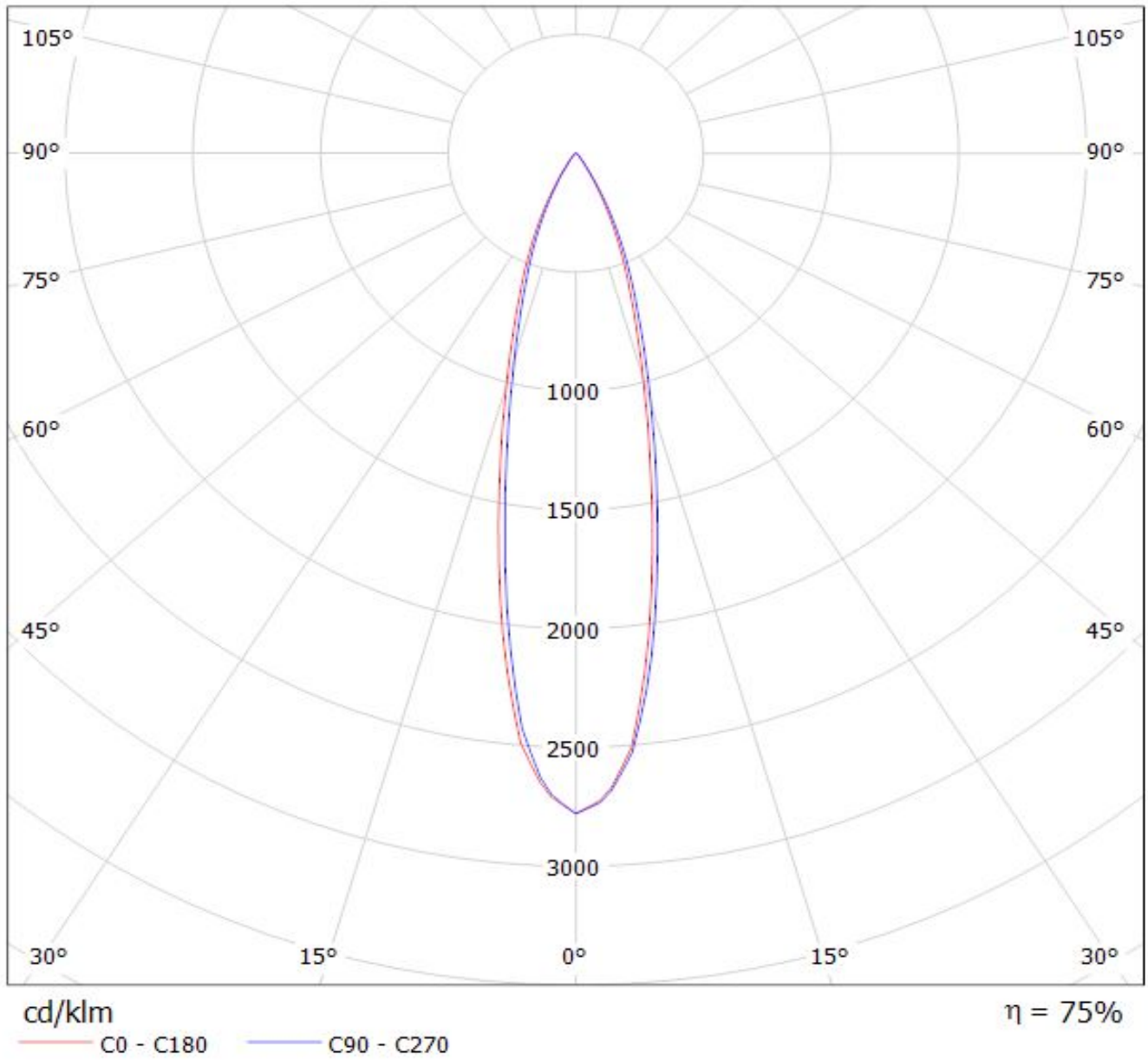
D

A

Luminaire: LEDiL Oy CN13601_LENA-SS-DL_(BXRA_RS)
Lamps: 1 x BXRA_RS_592.15lm@250mA_P=5.27503_I=249.8mA



Luminaire: LEDiL Oy CN13601_LENA-SS-DL_(BXRA_RS)
Lamps: 1 x BXRA_RS_592.15lm@250mA_P=5.27503_I=249.8mA



NOTE: The typical divergence will be changed by different color, chip size and chip position tolerance. The typical total divergence is the full angle measured where the luminous intensity is half of the peak value.