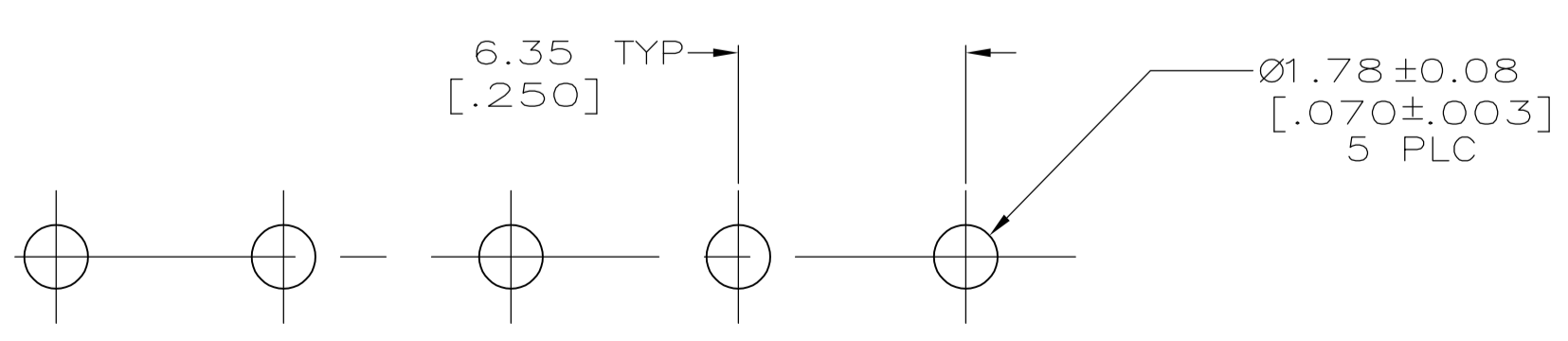
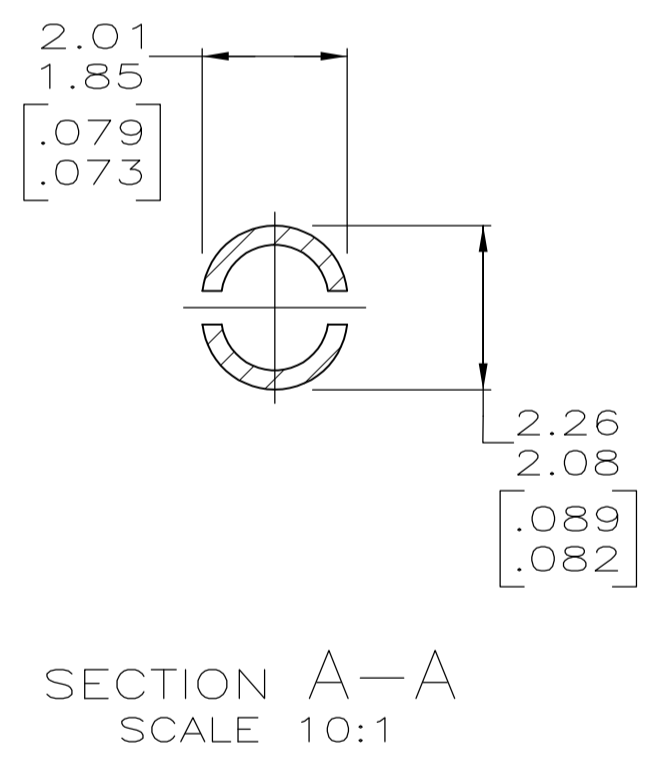
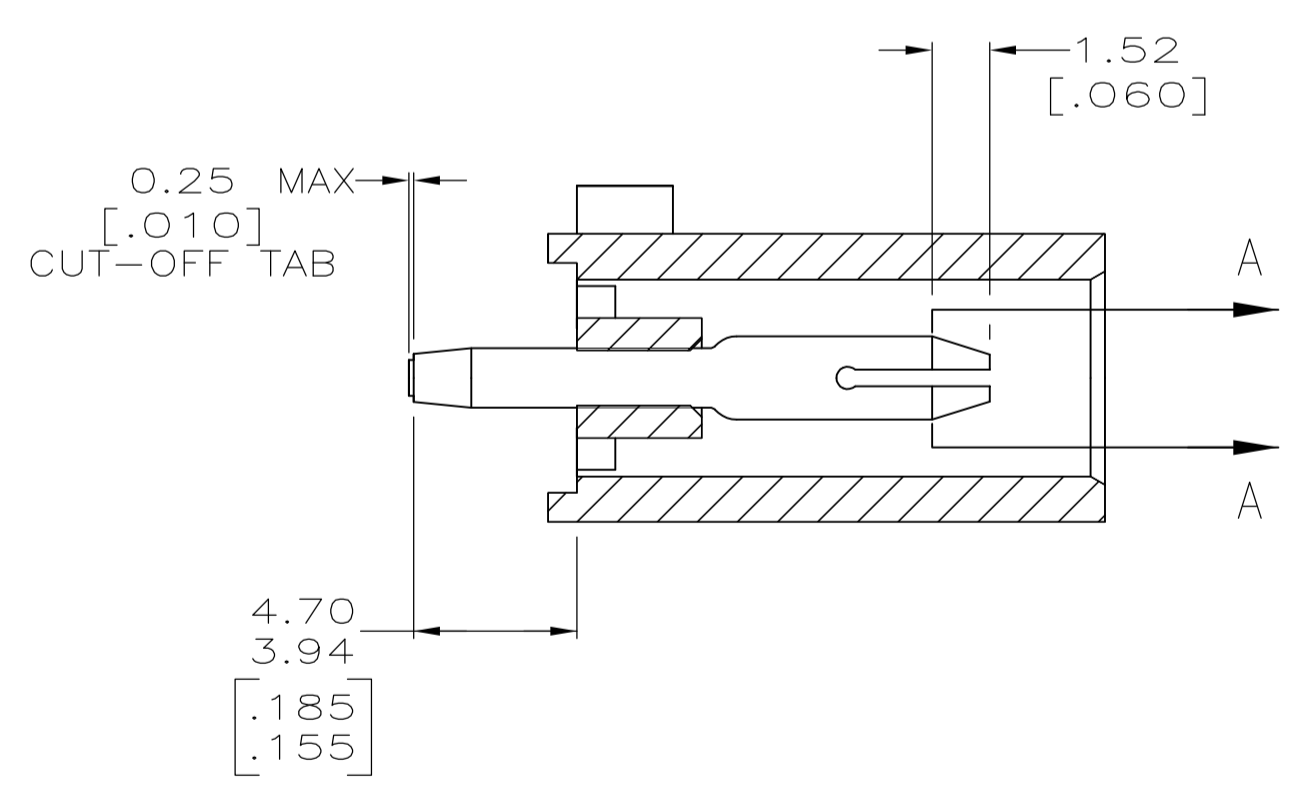
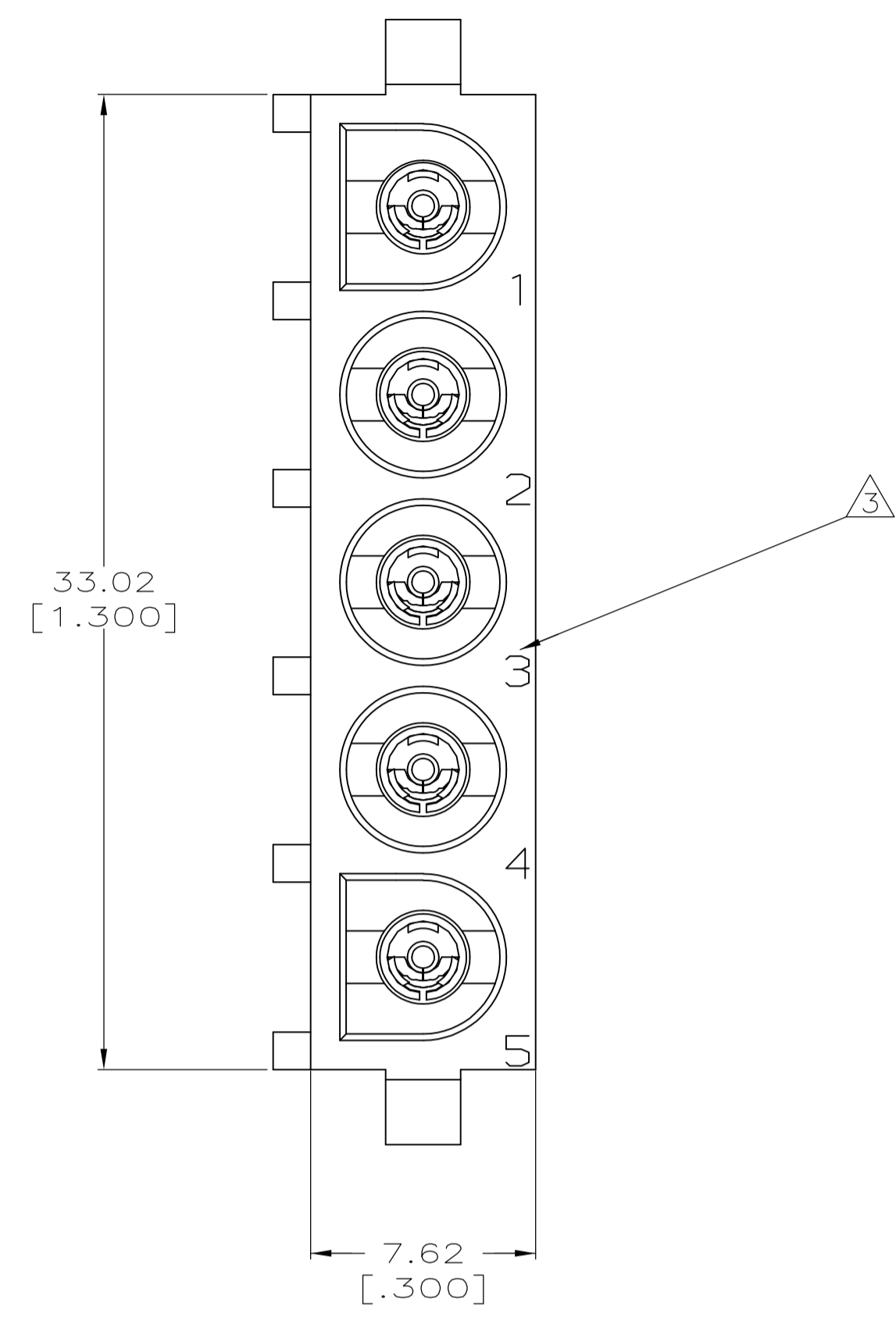
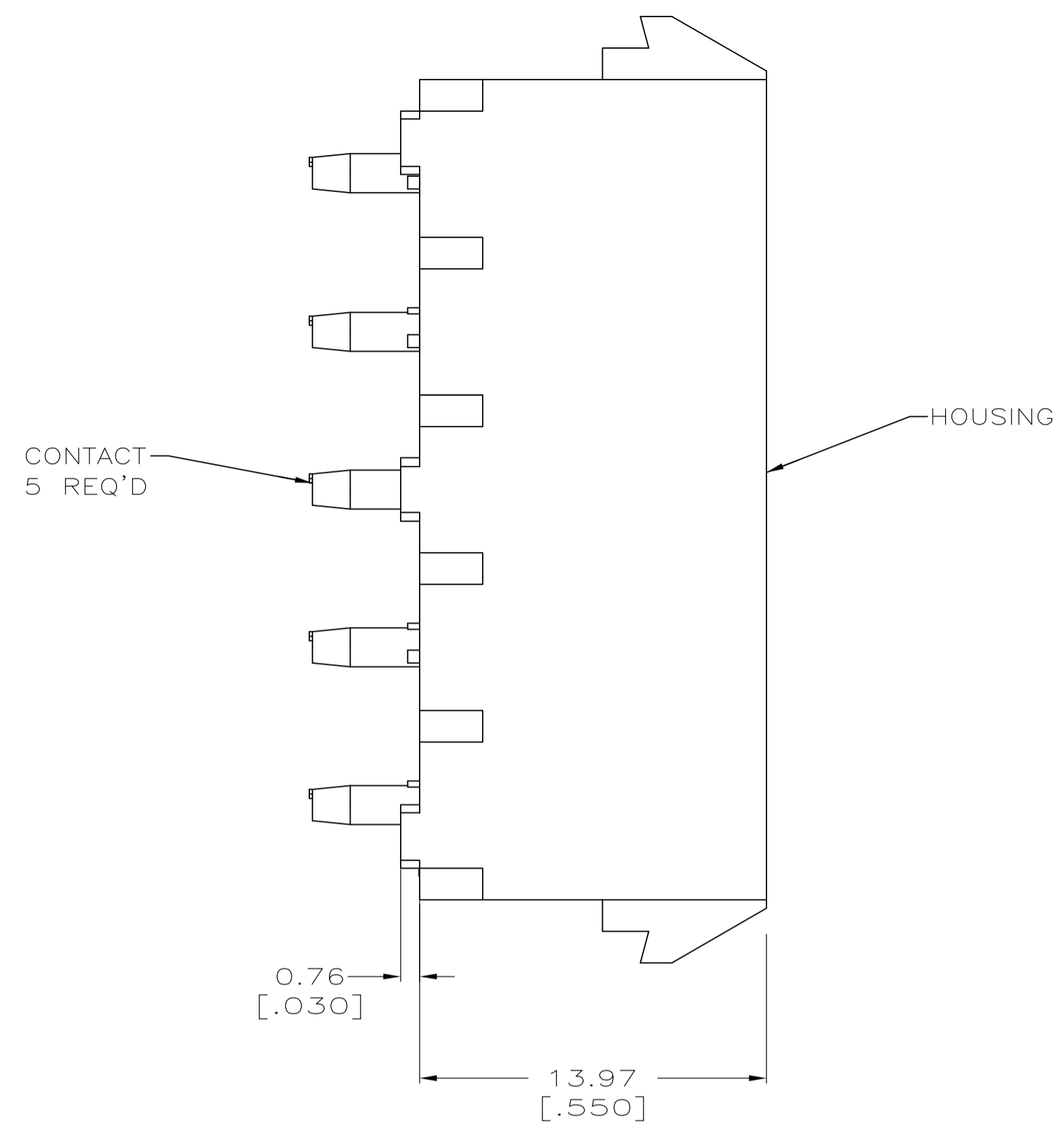
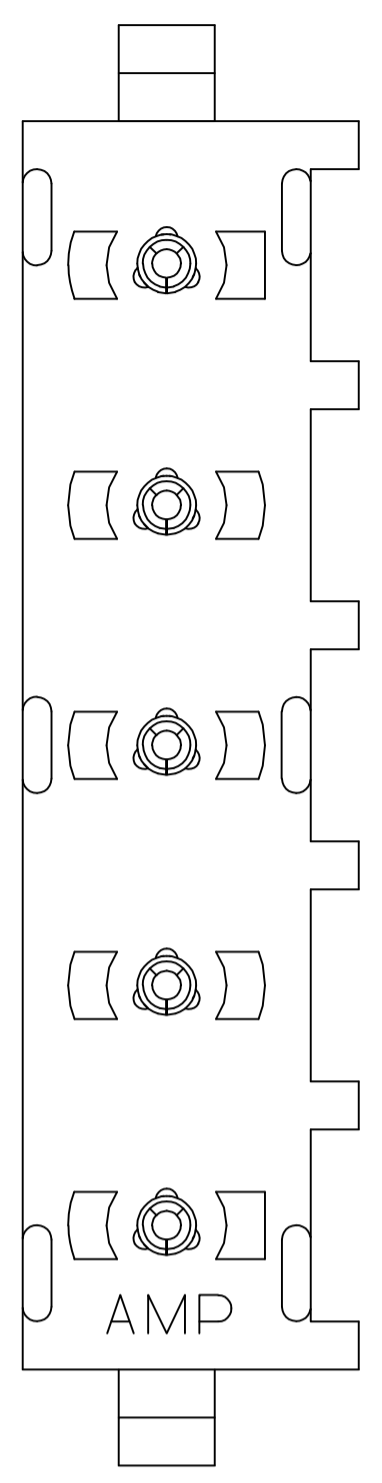
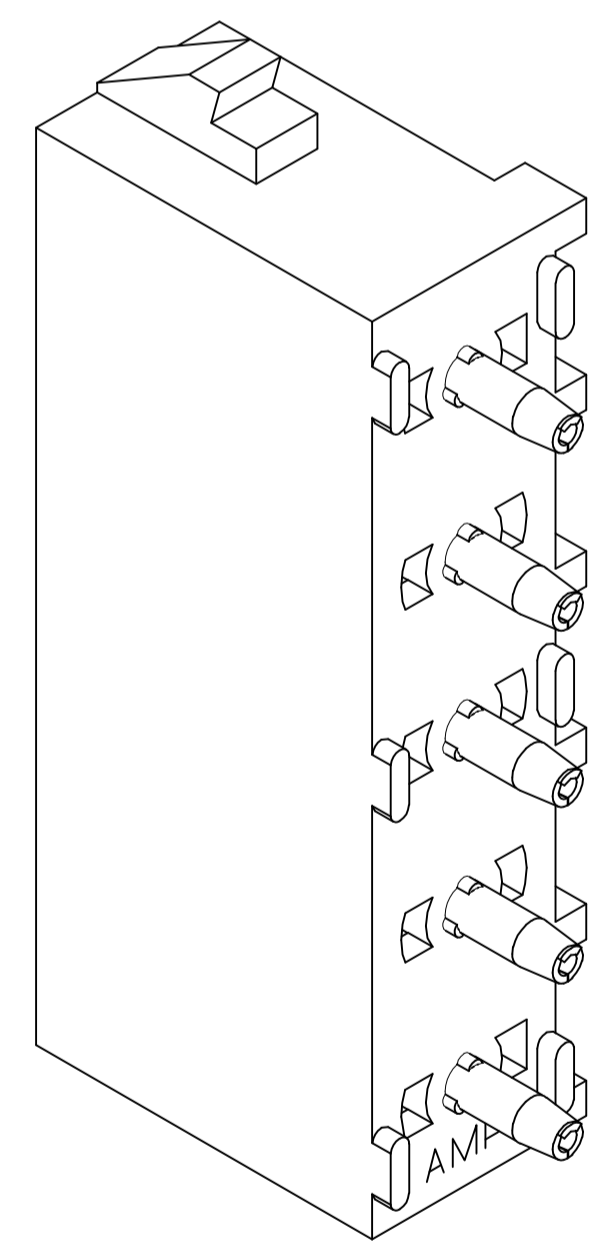


LOC		DIST		REVISIONS			
P	LTR	DESCRIPTION	DATE	DNW	APVD		
B		REV PER ECR 10-018921	14SEPT10	JR	TM		



RECOMMENDED MOUNTING HOLE PATTERN FOR 1.57 [.062] THICK P.C. BOARD

- PARTS COMPLY TO AMP SOLDERABILITY SPECIFICATION 109-11-3.
- DIMENSIONS IN BRACKETS ARE IN INCHES.
- △ CIRCUIT IDENTIFICATION CHARACTERS ARE ADJACENT TO THE INDICATED CAVITIES, BUT LOCATION AND ORIENTATION MAY DIFFER FROM PRINT.
- FLAMMABILITY V2 FOR THICKNESS 0.38mm, 1.5mm, and 3.0mm PER IEC 60695-11-10.
- GLOW-WIRE FLAMMABILITY (GWFI) 800°C FOR THICKNESS 0.38mm AND 0.75mm PER IEC 60695-2-12.
- GLOW-WIRE FLAMMABILITY (GWFI) 960°C FOR THICKNESS 1.5mm AND 3.0mm PER IEC 60695-2-12.
- GLOW-WIRE IGNITION (GWIT) 825°C FOR THICKNESS 0.38mm, 0.75mm, 1.5mm AND 3.0mm PER IEC 60695-2-13.



3-DIMENSIONAL MODEL NTS

PHOSPHOR BRONZE, PRE-TIN	NYLON, UL94V-2, NATURAL	1586968-1
PIN CONTACT MATERIAL AND FINISH	HOUSING MATERIAL	PART NUMBER
THIS DRAWING IS A CONTROLLED DOCUMENT.		DIN K. WHITAKER 07AJG2007
DIMENSIONS: mm [INCHES]		CHK D. COLEY 07AJG2007
TOLERANCES UNLESS OTHERWISE SPECIFIED:		NAME D. COLEY 07AJG2007
0 PLC ± -	1 PLC ± -	PRODUCT SPEC
2 PLC ± 0.13 [.005]	3 PLC ± -	APPLICATION SPEC
4 PLC ± -	ANGLES ± 0°30'	SIZE CASE CODE DRAWING NO
MATERIAL SEE TABLE	FINISH SEE TABLE	WEIGHT -
CUSTOMER DRAWING		RESTRICTED TO

