

MATERIALS AND FINISHES:
 BODY, CRIMP TUBE: BRASS
 PLATED: NICKEL (100µ-in MIN)

JAM NUT : BRASS
 PLATED: NICKEL (70µ-in MIN)

CENTER CONTACT: BERYLLIUM COPPER
 PLATED: SEE TABLE
 OVER NICKEL (100µ-in MIN)

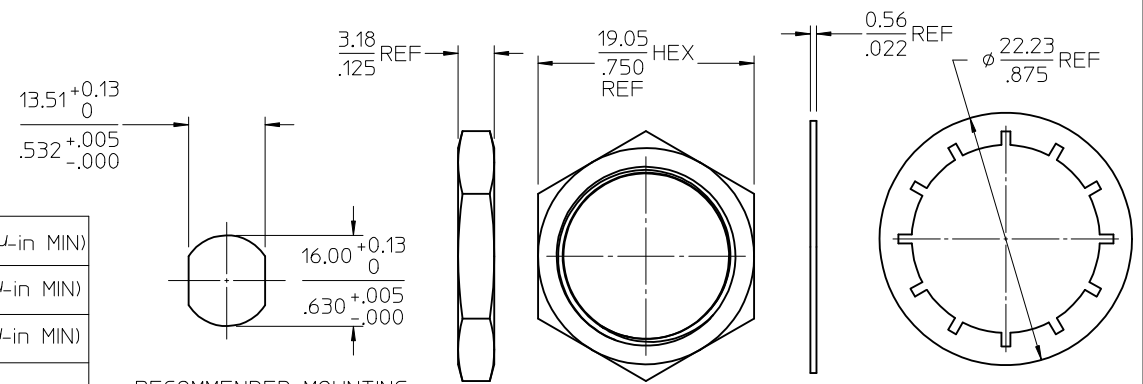
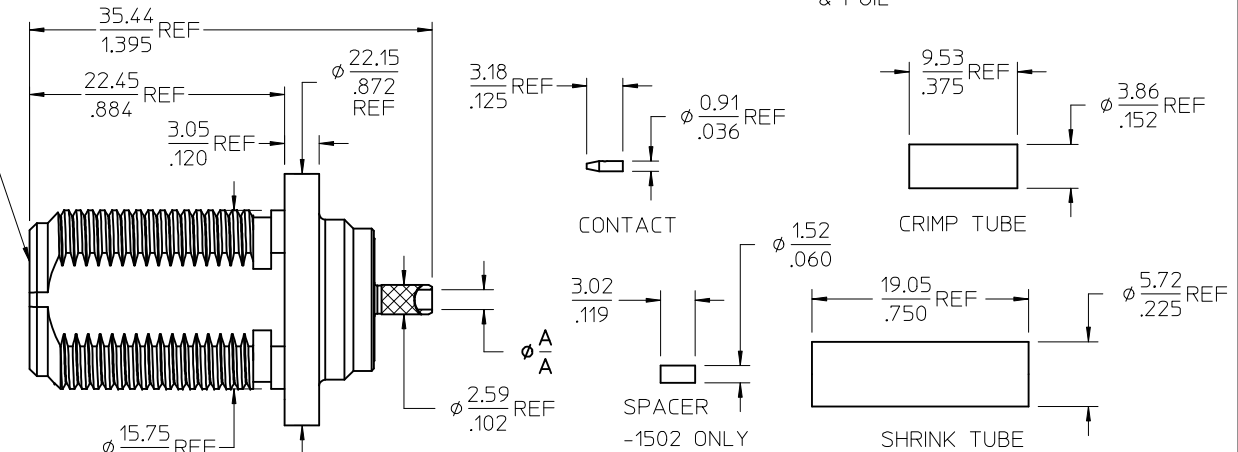
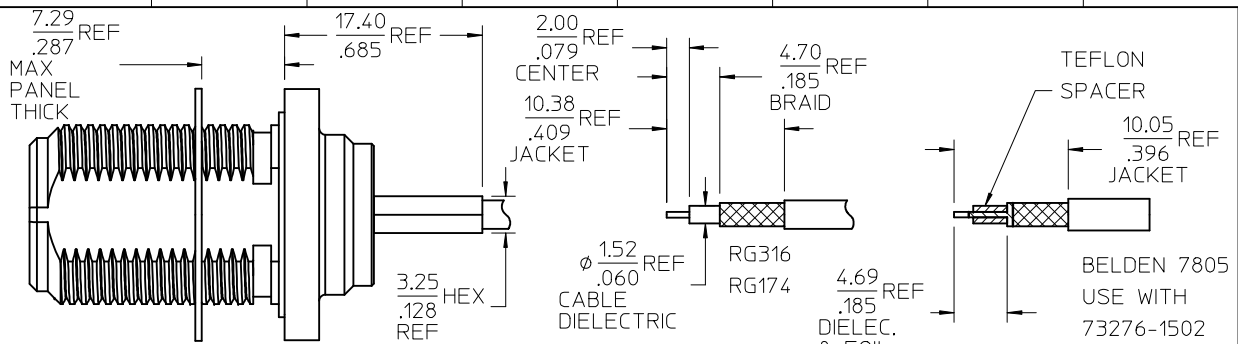
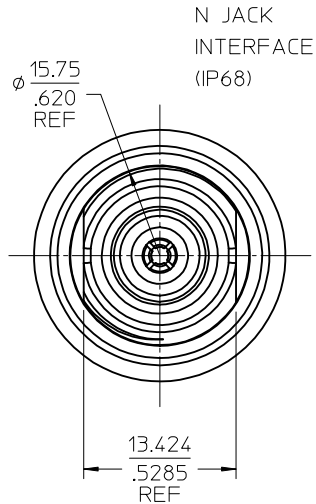
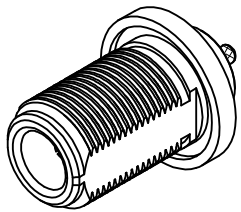
CABLE CONTACT: BRASS
 PLATED: GOLD (10µ-in MIN)
 OVER NICKEL (100µ-in MIN)

LOCKWASHER: PHOSPHOR BRONZE
 PLATED: NICKEL (100µ-in MIN)

INSULATOR, SPACER: PTFE

GASKET: SILICONE RUBBER

SHRINK TUBE: VERSAFIT 3/16-0



73276-1502	BULK	1.613 / .0635	BELDEN	GOLD (30µ-in MIN)
73276-1501	ONE PER BAG	1.613 / .0635	RG316	GOLD (10µ-in MIN)
73276-1500	BULK	1.613 / .0635	RG316	GOLD (10µ-in MIN)
PART NO.	PACKAGING	MM / IN	CABLE TYPE	CENTER CONTACT FINISH
		DIM A		

MIL-STD-348B, FIG. 304.1	INTERFACE
SPECIFICATION	DESCRIPTION

CHG: UPD VIEWS FOR BODY DESIGN CHANGE
 UPD MAT & FINISH NOTES, TABULATED CENTER CONTACT FINISH.
 EC NO: URF2016-0824
 DRW:PSMAM102 2016/06/08
 CHKD:BBB 2016/06/08
 APPR:AROBERTSON 2016/06/23

QUALITY SYMBOLS
 ▽=0
 ▽=0

GENERAL TOLERANCES (UNLESS SPECIFIED)

	mm	INCH
4 PLACES	± .010	± .0004
3 PLACES	± .010	± .0004
2 PLACES	± .025	± .0010
1 PLACE	± .050	± .0020

ANGULAR ± 2 °

DRAFT WHERE APPLICABLE MUST REMAIN WITHIN DIMENSIONS

DIMENSION STYLE
 MM/IN

DRAWN BY	DATE
SSS	2008/01/15
CHECKED BY	DATE
AZR	2008/01/15
APPROVED BY	DATE
JDW	2008/01/15

MATERIAL NO.
 SEE TABLE

SIZE
 C

SCALE
 DESIGN UNITS
 INCH

THIRD ANGLE PROJECTION

TITLE
 N JACK IP68 BLKHD RM
 RG316 BELDEN 7805
 EWR-3517, N-JC/BLK

Molex
 MOLEX INCORPORATED

DOCUMENT NO.
 SD-73276-150

SHEET NO.
 1 OF 1

THIS DRAWING CONTAINS INFORMATION THAT IS PROPRIETARY TO MOLEX INCORPORATED AND SHOULD NOT BE USED WITHOUT WRITTEN PERMISSION