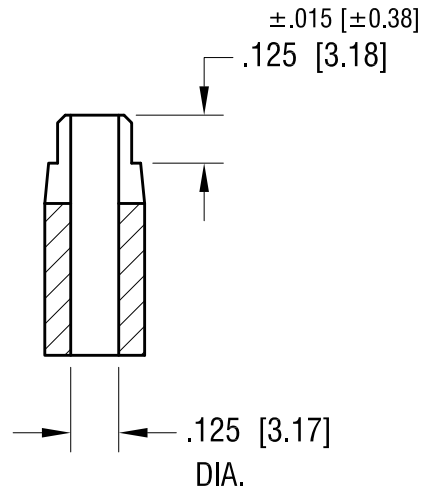
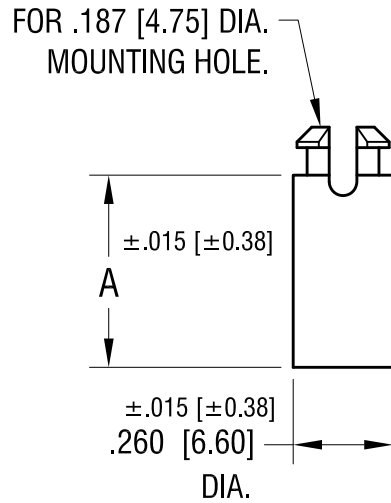


THIS DOCUMENT IS THE PROPERTY OF
KEYSTONE ELECTRONICS CORP. AND
SHALL NOT BE REPRODUCED, DISTRIBUTED
OR USED AS A BASIS FOR MANUFACTURE
WITHOUT PRIOR WRITTEN PERMISSION
FROM KEYSTONE ELECTRONICS CORP.



PART NO.	'A' DIM.
9027	.125 [3.18]
9028	.187 [4.75]
9029	.250 [6.35]
9030	.375 [9.53]
9031	.500 [12.70]
9032	.625 [15.88]

KEYSTONE ELECTRONICS CORP.			
www.keyelco.com • ASTORIA, N.Y. 11105-2017 • Tel (718) 956-8900			
PART NAME		THRU HOLE SPACER	
MATERIAL		NYLON UL 94V-0	
FINISH	-	DRN BY BOONE	DATE 8.29.06
		APP'D	SCALE 2X
TOLERANCES	INCH [MM]	CODE	DWG NO.
DECIMAL	$\pm .005 [\pm 0.13]$	C/M	9027-9032
ANGULAR	$\pm 1^\circ$		
UNLESS OTHERWISE SPECIFIED			

11.04.09	CHANGE AS PER ECN 09-160	A
DATE	DESCRIPTION	REV.