

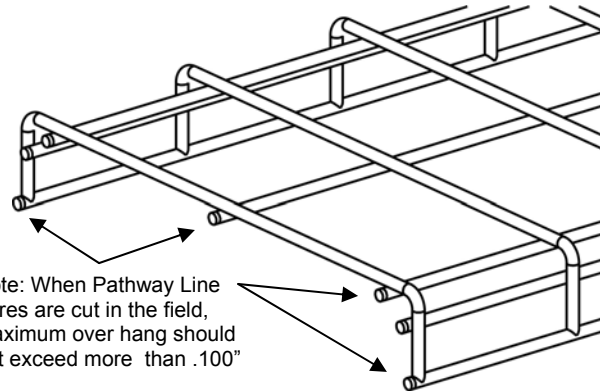
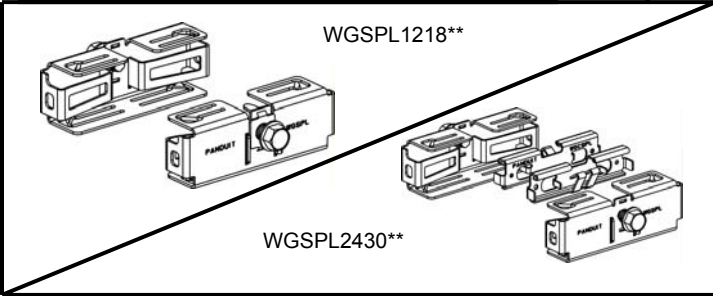
Wyr-Grid Pathway Splices

Panduit Part Number: WGSPL1218**, WGSPL2430**

INSTALLATION INSTRUCTIONS

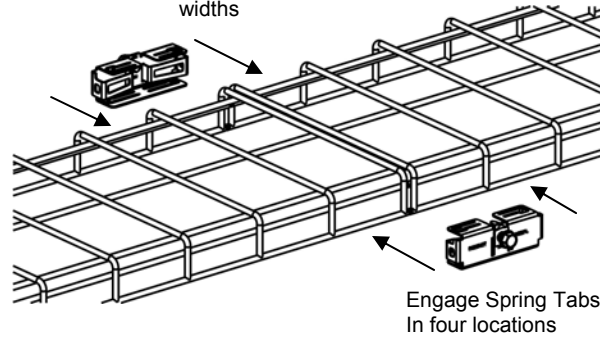
© 2010 PANDUIT Corp.

PANDUIT CATALOG NUMBER	Wyr-Grid PATHWAY
WGSPL1218**	WG12**10 WG18**10
WGSPL2430**	WG24**10 WG30**10



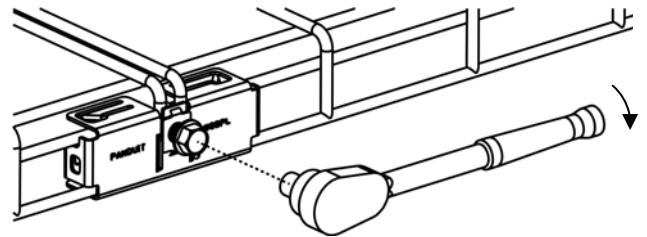
1

Installing Side Splices on Pathway of all widths



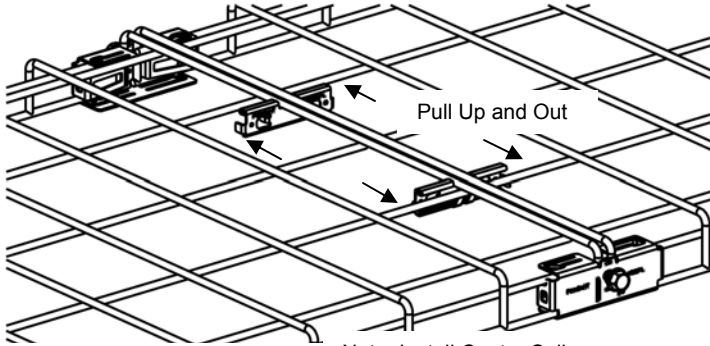
4

Engage Bonding Screw Utilizing a 9/16" socket



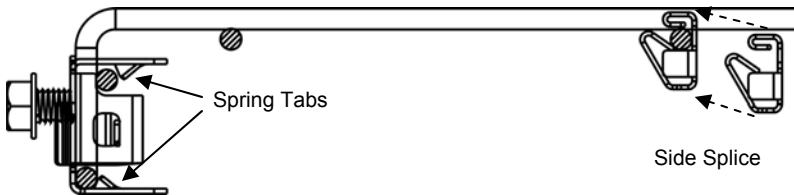
2

Installing Center Splices On 24" & 30" wide Pathways



Note: Install Center Splices on 2nd top wire in from each side

3

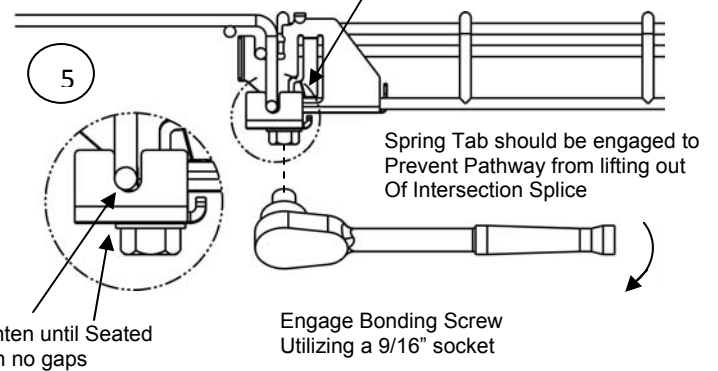
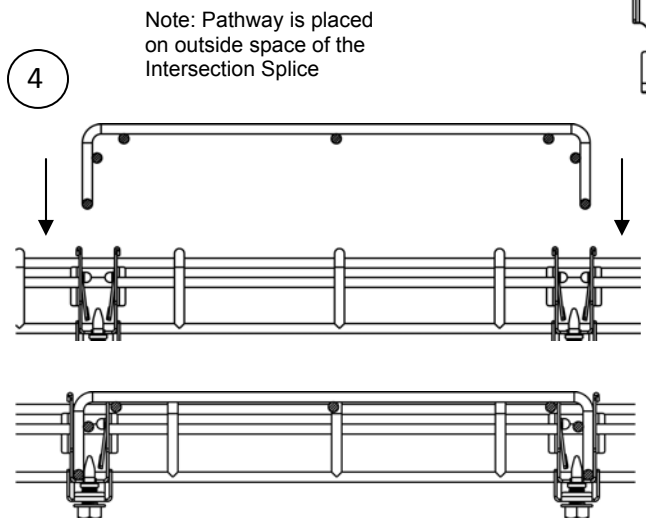
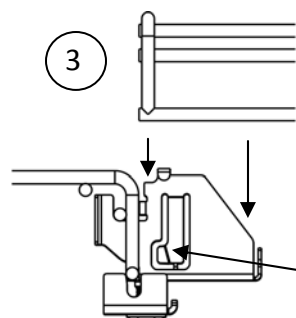
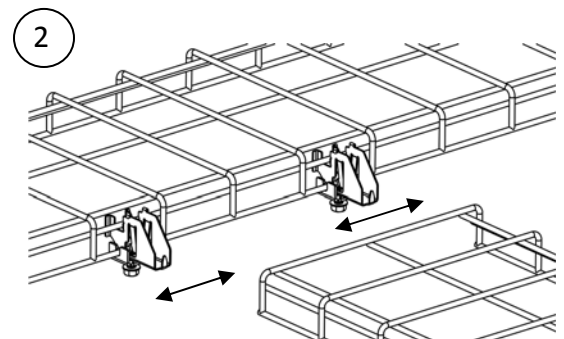
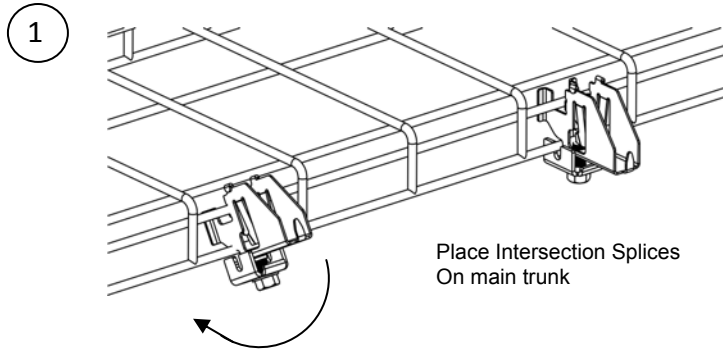
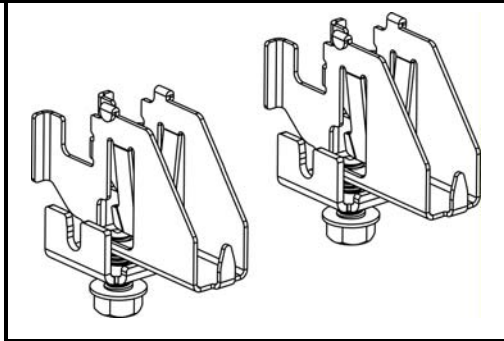


Wyr-Grid Intersection Splice

Panduit Part Number: WGINTSPL**

INSTALLATION INSTRUCTIONS

PANDUIT CATALOG NUMBER	Wyr-Grid PATHWAY
WGINTSPL**	Any Combination Of WG12**10 WG18**10 WG24**10 WG30**10



Instruction Sheet RW273

WORLDWIDE SUBSIDIARIES AND SALES OFFICES

18900 Panduit Drive
Tinley Park, IL 60487
Web Site: www.panduit.com



Fax: 708-532-1811
Technical Support: 800-777-3300
E-mail: cs@panduit.com