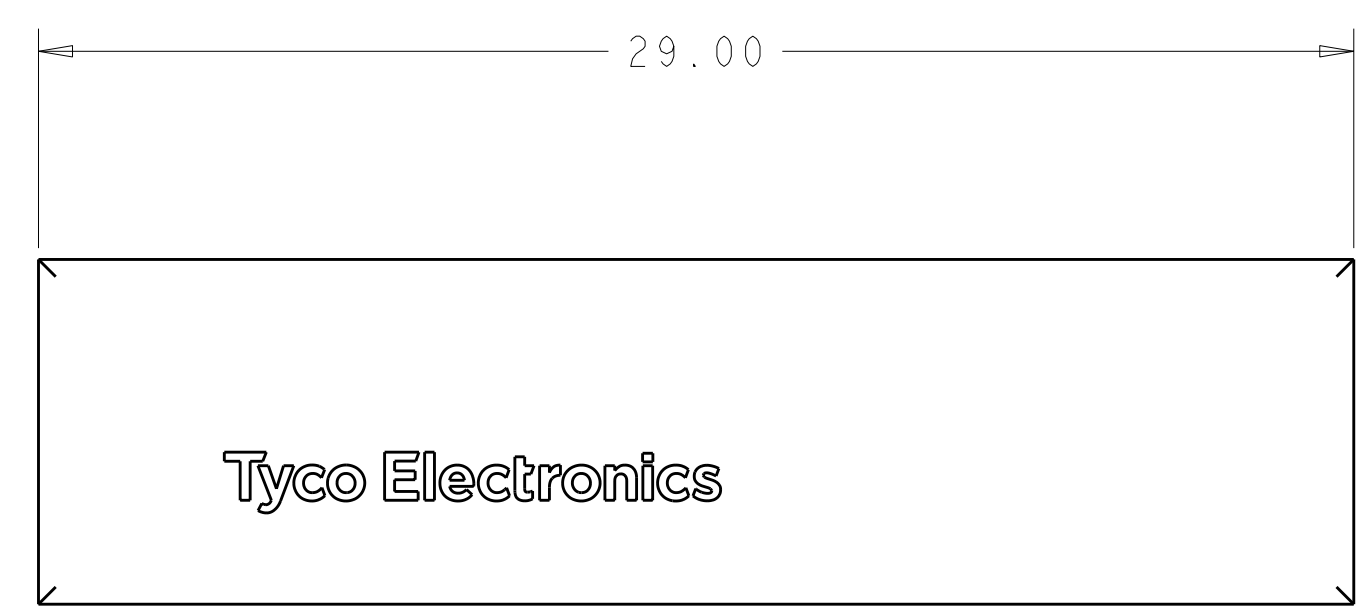


LOC	DIST	REVISIONS			
GP	00	REV	DATE	BY	APPD
		A	10MAR2009	GIP	GRD
		B	23JUN2010	RG	DO
		C	04MAR2011	RG	DO



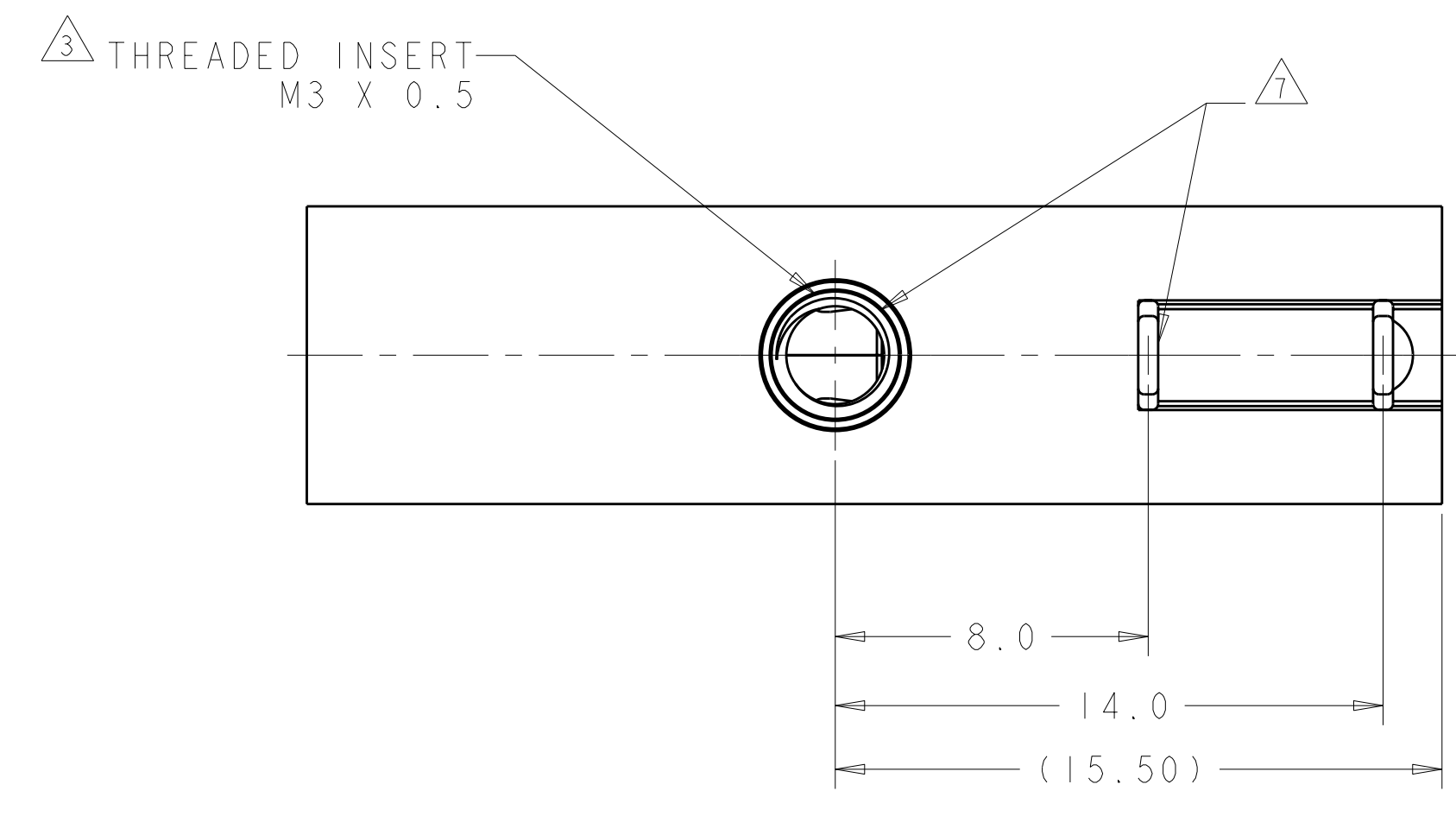
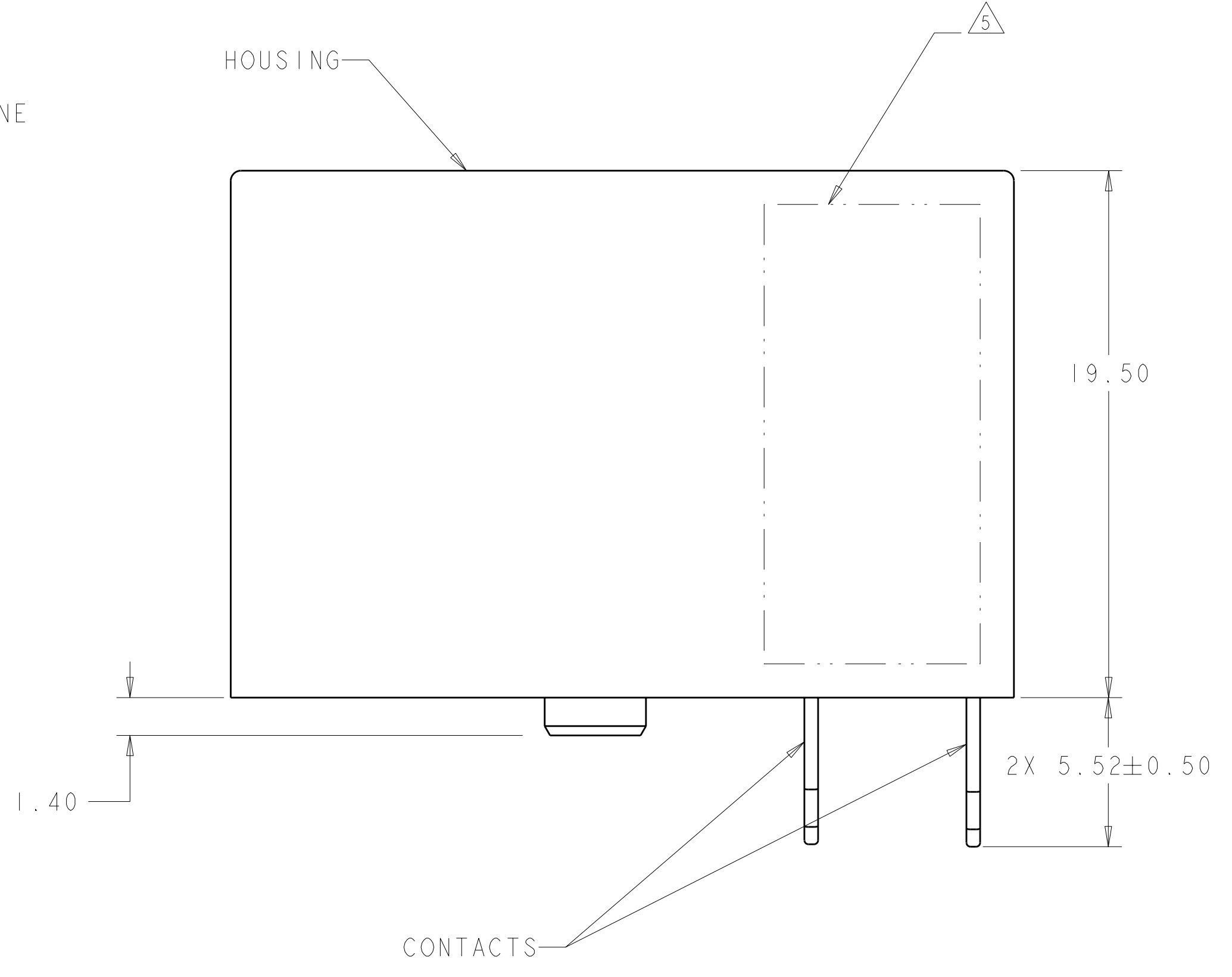
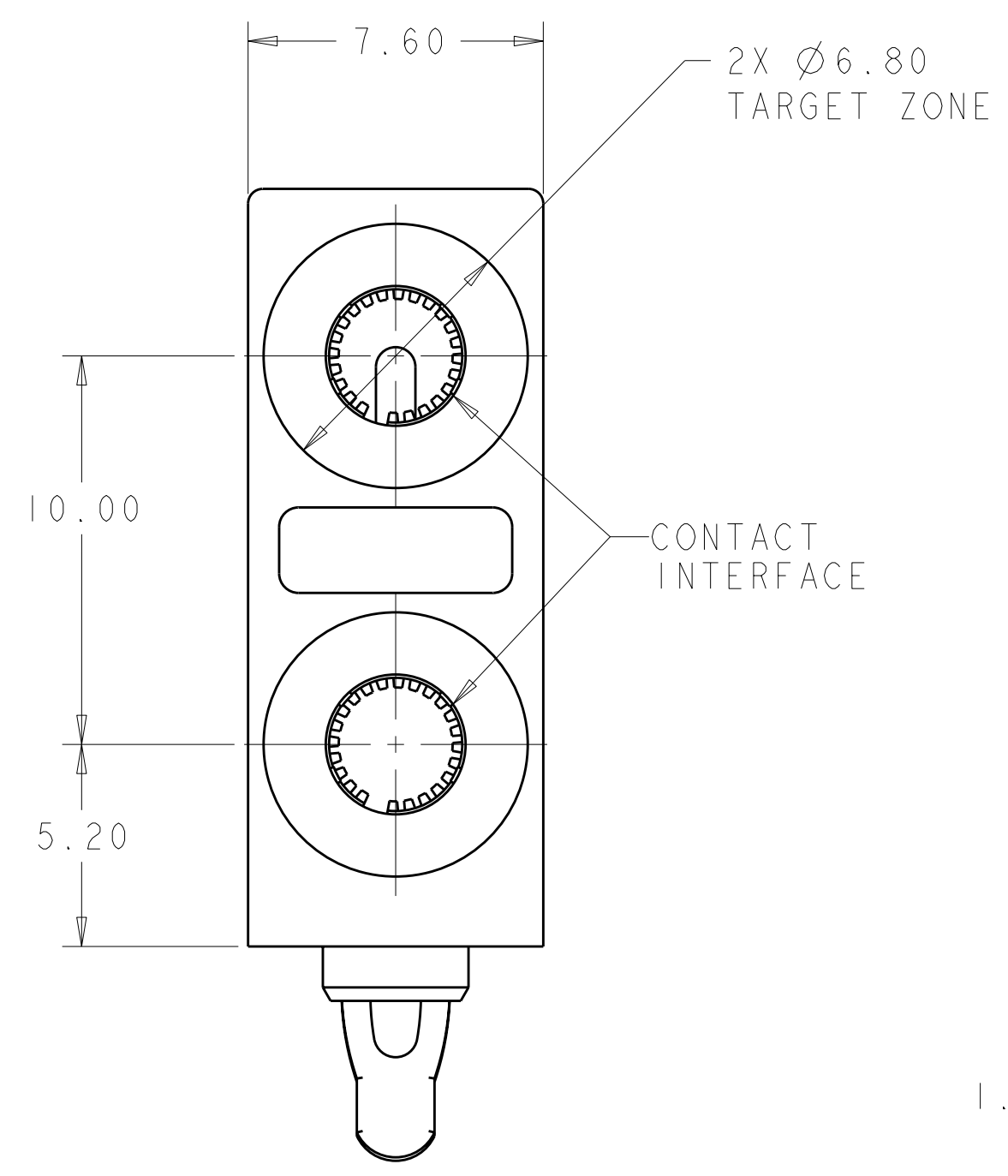
1 MATERIALS:
 HOUSING: POLYESTER PBT THERMOPLASTIC, UL 94 V-0
 CONTACT: COPPER ALLOY
 CONTACT INTERFACE: COPPER ALLOY
 INSERT: COPPER ALLOY

2 FINISH:
 HOUSING: BLACK
 CONTACT: SILVER PLATE, 5.08µm MIN THICK, OVER NICKEL UNDERPLATE
 CONTACT INTERFACE: GOLD PLATE, 0.76µm MIN THICK, OVER NICKEL UNDERPLATE
 INSERT: NONE

3

RECOMMENDED M3 SCREW LENGTH	
PCB THICKNESS	SCREW LGTH.
1.57mm [0.062"]	3.00mm
2.36mm [0.093"]	4.00mm
3.18mm [0.125"]	5.00mm

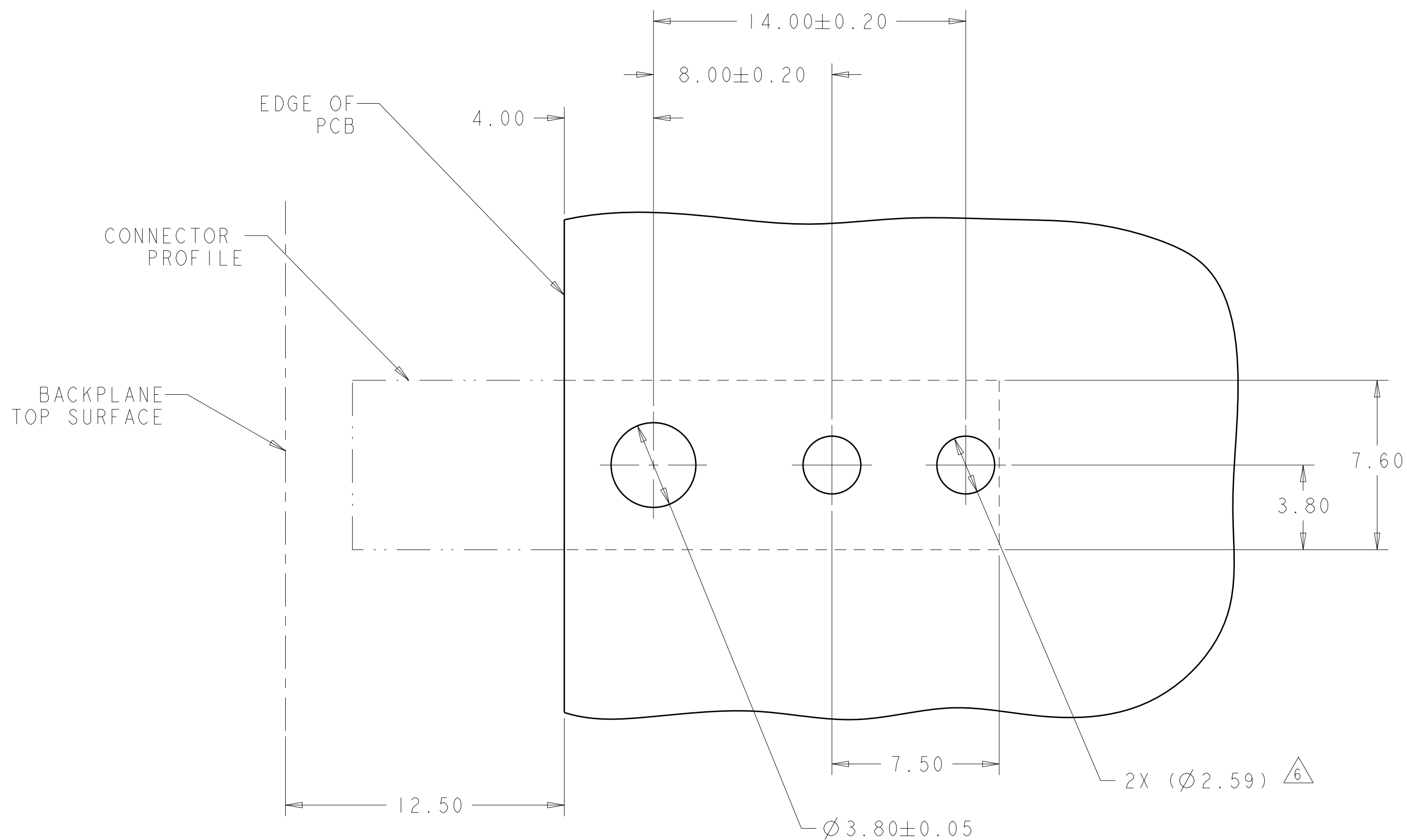
4. THIS PRODUCT HAS NOT BEEN VALIDATION TESTED.
- 5 PART NUMBER AND DATE CODE LABEL TO BE LOCATED APPROXIMATELY AS SHOWN.
- 6 MANUFACTURING TOLERANCE:
 FINISHED HOLE: $\varnothing 2.59 \pm 0.05$
 DRILLED HOLE $\varnothing 2.687 \pm 0.020$
 COPPER PLATING: 0.050 - 0.025
 TIN-LEAD PLATING: 0.015 - 0.004
- 7 THREADED INSERT & LOWER CONTACT MAY BE ELECTRICALLY COMMON.



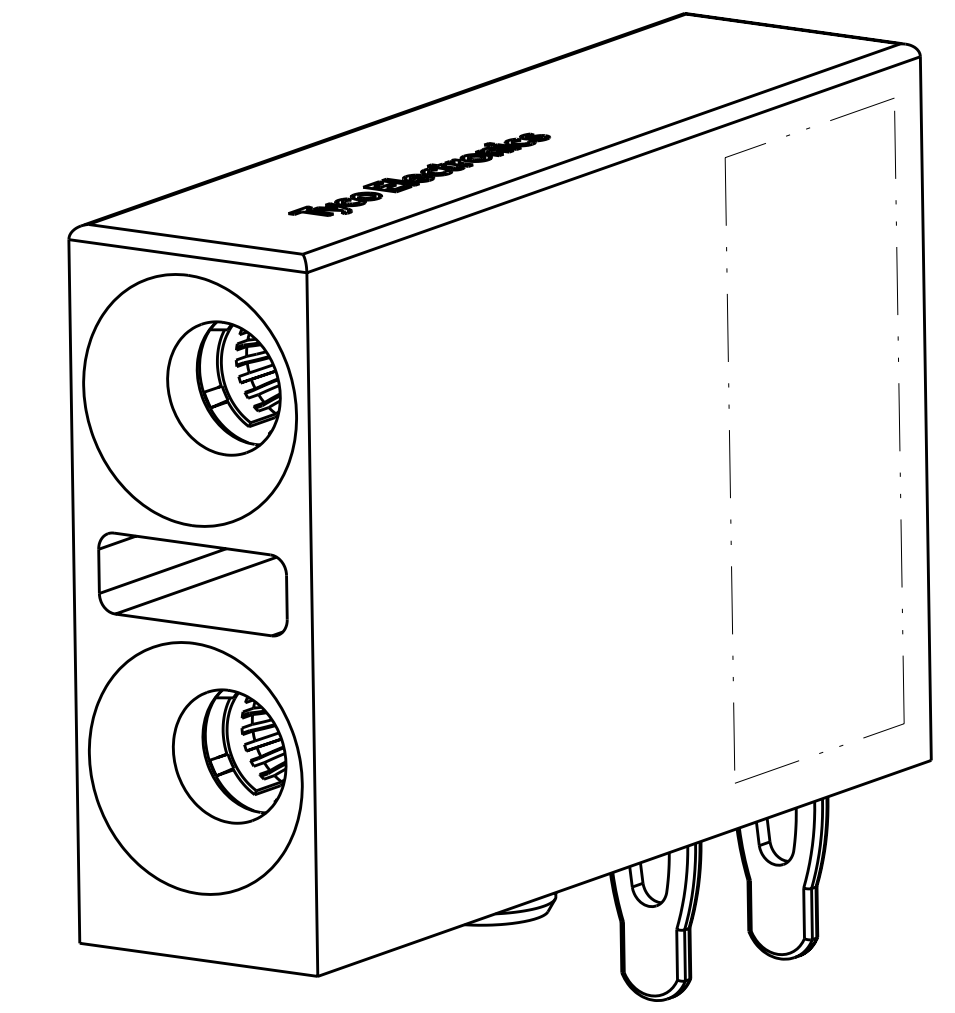
2085181-1
 PRODUCT NUMBER

<small>THIS DRAWING IS UNPUBLISHED. RELEASED FOR PUBLICATION 20 BY TYCO ELECTRONICS CORPORATION, ALL RIGHTS RESERVED.</small>		DWN: S. PETERS 10MAR2009 CHK: D. DEBRAUGH 10MAR2009 APVD: D. DEBRAUGH 10MAR2009	Tyco Electronics Harrisburg, PA 17105-3608
DIMENSIONS: mm 	TOLERANCES UNLESS OTHERWISE SPECIFIED: 0 PLC ± 1 PLC ±0.5 2 PLC ±0.35 3 PLC ± 4 PLC ± ANGLES ±1°	NAME: 2 POSITION, RIGHT ANGLE, 3.17mm DIAMETER, SOCKET ASSEMBLY PRODUCT SPEC: APPLICATION SPEC: WEIGHT: - CUSTOMER DRAWING	SIZE: A 00779 C=2085181 SCALE: 1:1 SHEET 1 OF 2 REV C

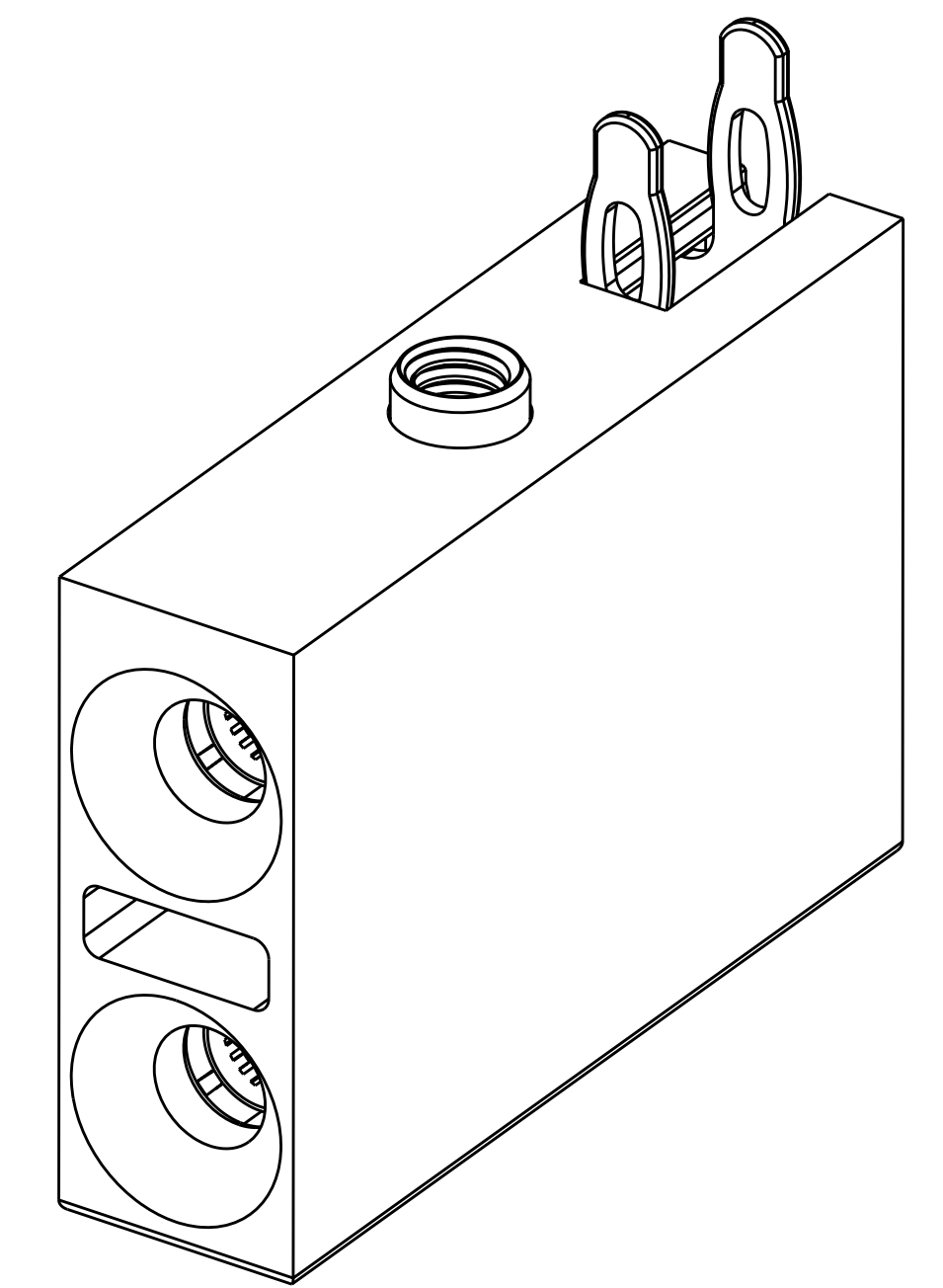
LOC	DIST	REVISIONS			
P	LTR	DESCRIPTION	DATE	DWN	APVD
GP	00	SEE SHEET 1	-	-	-



RECOMMENDED PRINTED CIRCUIT BOARD LAYOUT
 (AS VIEWED FROM COMPONENT SIDE)
 MINIMUM PCB THICKNESS $1.57 \triangle 3$



ISOMETRIC FRONT VIEW



ISOMETRIC BOTTOM VIEW

P/N: 2085181-1

<small>THIS DRAWING IS UNPUBLISHED. RELEASED FOR PUBLICATION. IT IS SUBJECT TO CHANGE WITHOUT NOTICE AND WITHOUT OBLIGATION. SHOULD BE CONTACTED FOR THE LATEST REVISION.</small>		DWN: S. PETERS CHK: D. DEEIRAUGH APVD: D. DEEIRAUGH	TOMAR2009 TOMAR2009 TOMAR2009	Tyco Electronics Harrisburg, PA 17105-3608
DIMENSIONS: mm 	TOLERANCES UNLESS OTHERWISE SPECIFIED: 9 PLC ± 1 PLC ±0.5 5 PLC ±0.35 4 PLC ± ANGLES ±°	NAME: 2 POSITION, RIGHT ANGLE, 3.17mm DIAMETER, SOCKET ASSEMBLY PRODUCT SPEC: APPLICATION SPEC: WEIGHT:	SIZE: A CAGE CODE: 100779 DRAWING NO: C-2085181	RESTRICTED TO:
MATERIAL:	FINISH:	CUSTOMER DRAWING		SCALE: 1:1 SHEET 2 OF 2 REV C