

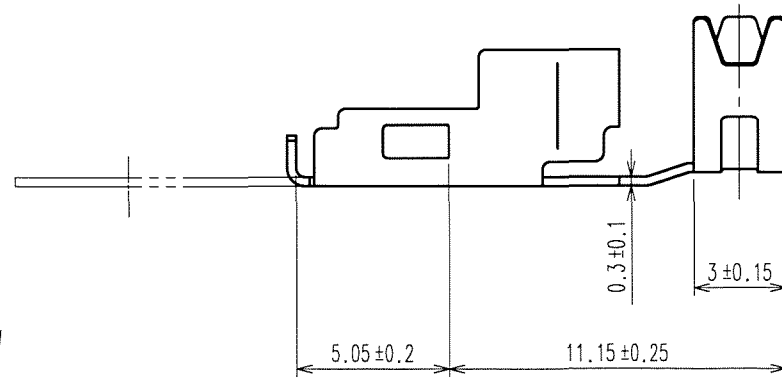
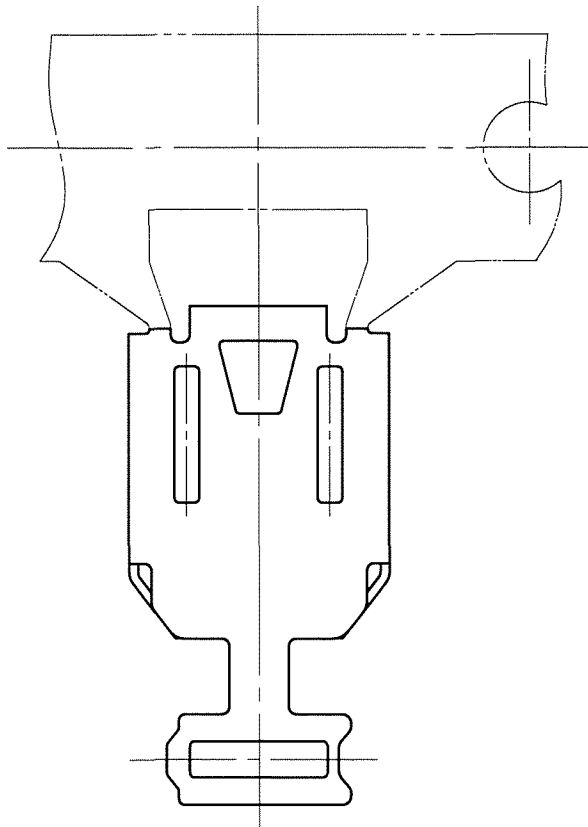
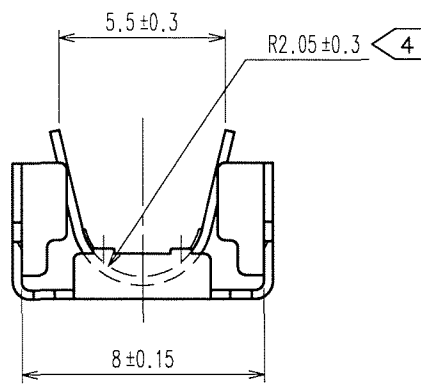
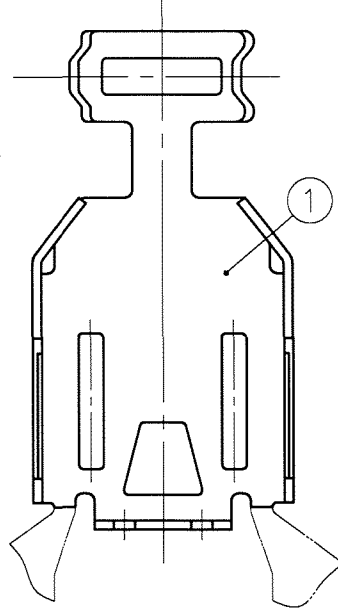
DRAWING FOR REFERENCE: This is subject to change without notice

2007/08/24 01:10:18 MY. NAGASHIMA

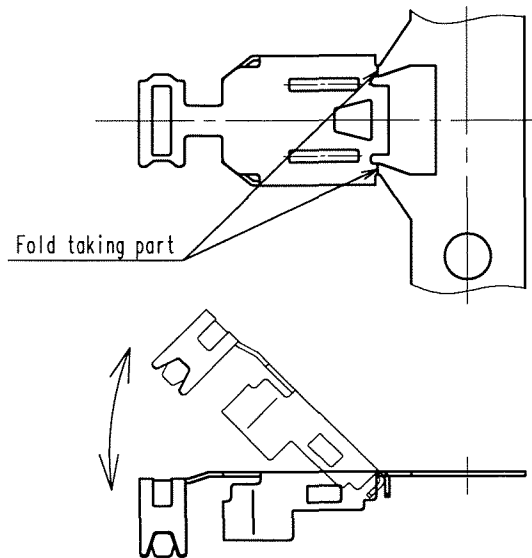
COUNT	DESCRIPTION OF REVISIONS	BY	CHKD	DATE	COUNT	DESCRIPTION OF REVISIONS	BY	CHKD	DATE
△					△				
△					△				
APPLICABLE STANDARD		USB2.0 SPECIFICATION							
RATING	OPERATING TEMPERATURE RANGE	0 °C TO +50 °C			STORAGE TEMPERATURE RANGE	-20 °C TO +60 °C			
	VOLTAGE	—			OPERATING HUMIDITY RANGE	— % TO — %			
	CURRENT	—			APPLICABLE CABLE	USB CABLE (φ 3.8)			
SPECIFICATIONS									
ITEM		TEST METHOD			REQUIREMENTS			QT	AT
CONSTRUCTION									
GENERAL EXAMINATION		VISUALLY AND BY MEASURING INSTRUMENT.			ACCORDING TO DRAWING.			×	×
MARKING		CONFIRMED VISUALLY.						×	×
REMARKS					DRAWN	DESIGNED	CHECKED	APPROVED	RELEASED
					Y. Takeuchi 06.11.13	Y. Takeuchi 06.11.13	H. Kobayashi 06.11.13	<i>[Signature]</i> 06.11.13	
Note QT:Qualification Test AT:Assurance Test ×:Applicable Test									
HRS HIROSE ELECTRIC CO., LTD.					SPECIFICATION SHEET			PART NO. ZX40-SLDB	
CODE NO.(OLD) CL			DRAWING NO. ELC4-125859			CODE NO. CL242-0004-0			1/1

TO

TO

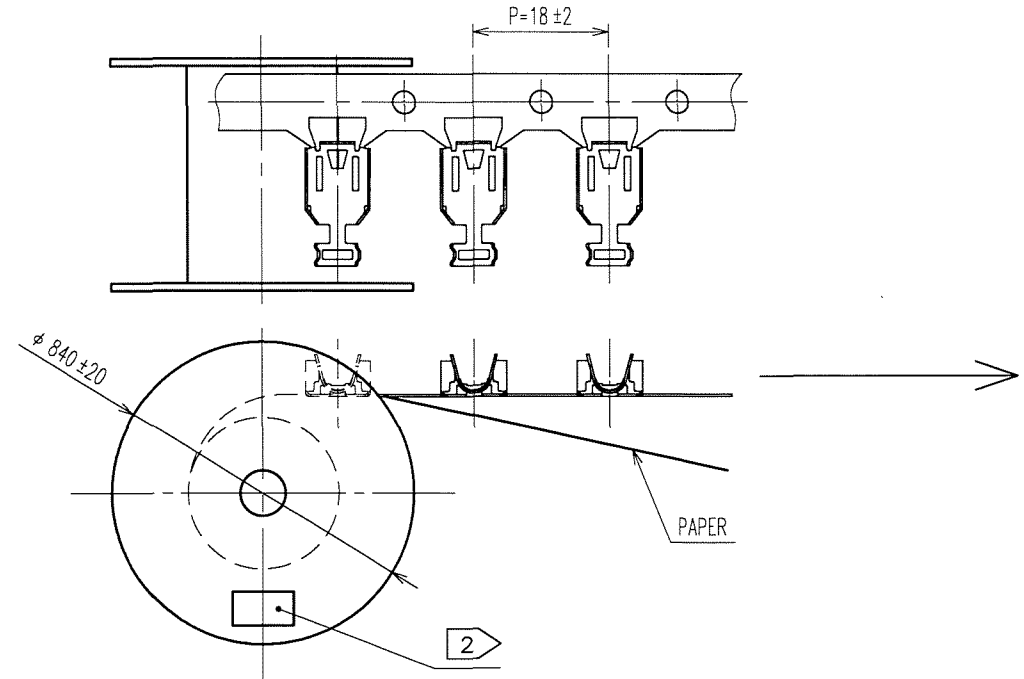


3 Fig - 2 CUT OFF A CAREER



COUNT	DESCRIPTION OF REVISIONS	BY	CHKD	DATE	COUNT	DESCRIPTION OF REVISIONS	BY	CHKD	DATE
△				..	△				..
△				..	△				..
△				..	△				..

1 Fig - 1 REELING



- NOTES
- 1 This is delivered by a reel. QTY: 4000 pcs
 - 2 Shown on a reel and a box is ; " Part No. ", " Code No. ", " Lot No. ", " QTY "
 - 3 Cut off a career as shown in fig-2.
 - 4 This cable-clamping part is applied to φ 3.8mm cable.

1	STAINLESS STEEL	
NO.	MATERIAL	FINISH, REMARKS

CODE NO. (OLD)	DRAWN <i>Y. Takeuchi</i> 06.11.13	DESIGNED <i>Y. Takeuchi</i> 06.11.13	CHECKED <i>W. Kobayashi</i> 06.11.13	APPROVED <i>[Signature]</i> 06.11.13	RELEASED ..
SCALE 4 : 1	DRAWING NO. EDC3-125859		PART NO. ZX40-SLDB		
UNITS mm	HRS HIROSE ELECTRIC CO., LTD		CODE NO. CL242-0004-0		1/1