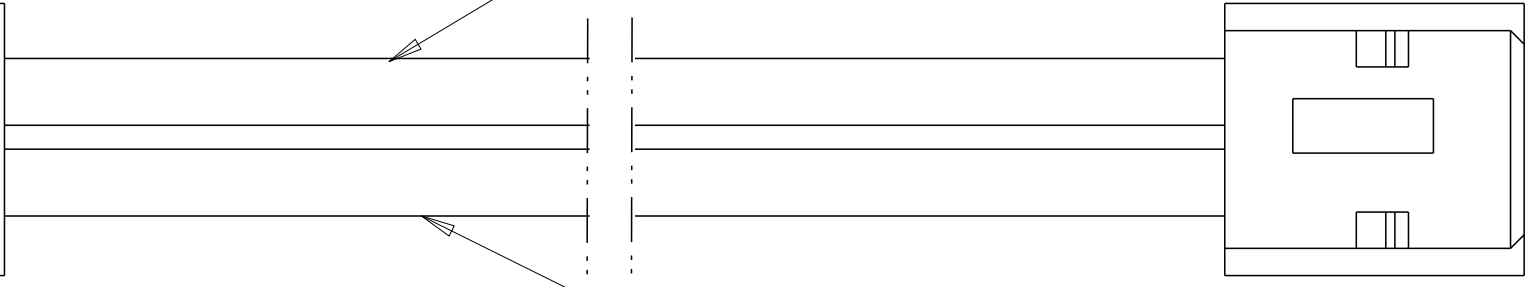
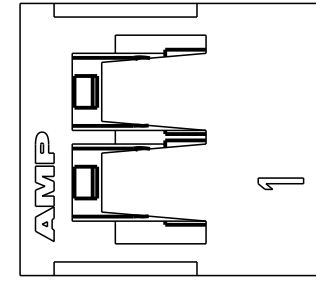
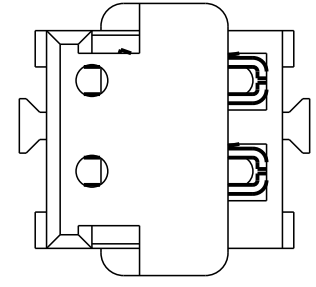


THIS DRAWING IS UNPUBLISHED. RELEASED FOR PUBLICATION 20
 © COPYRIGHT 20 BY - ALL RIGHTS RESERVED.

LOC	DIST	REVISIONS			
P	LTR	DESCRIPTION	DATE	DWN	APVD
B		PER ECR-11-017710	28MAR2012	PB	PB
C		ECR-13-004256	11MAR2013	TB	DM

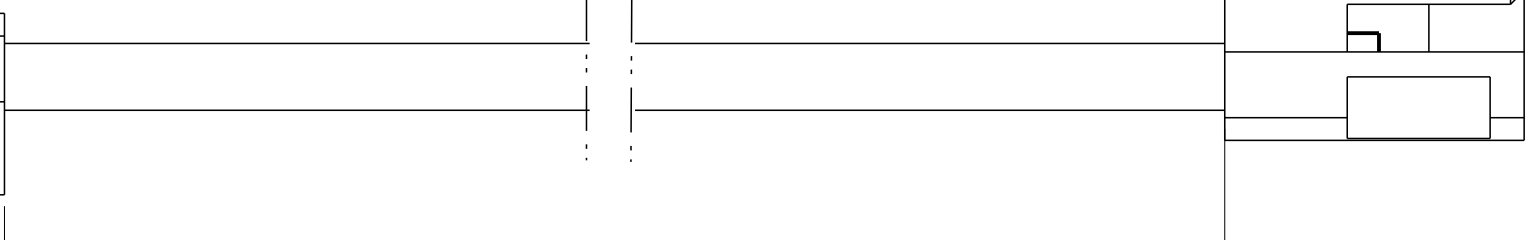
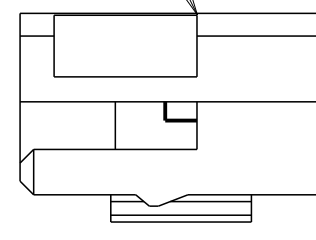
1969343-1, -2, -3, -4, -5, -6



WIRE COLOR
SEE TABLE

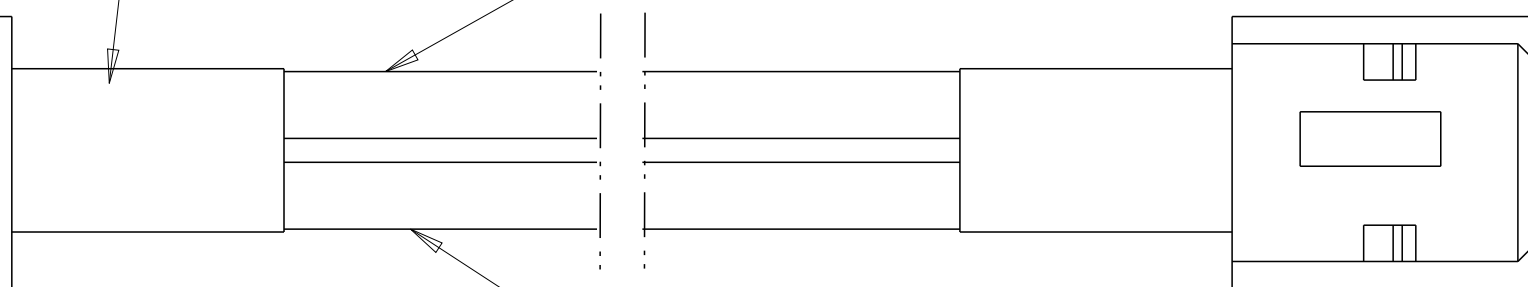
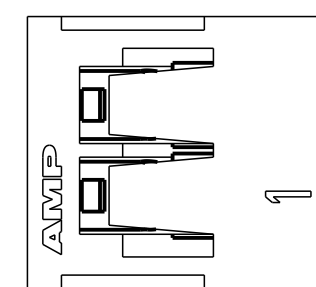
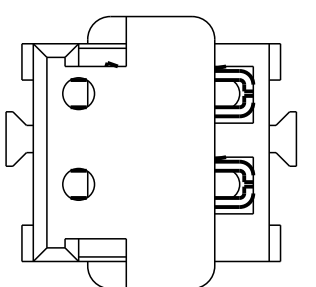
WIRE COLOR
SEE TABLE

2 POS CT
CONNECTOR



DIM L ± 3.8

1969343-7

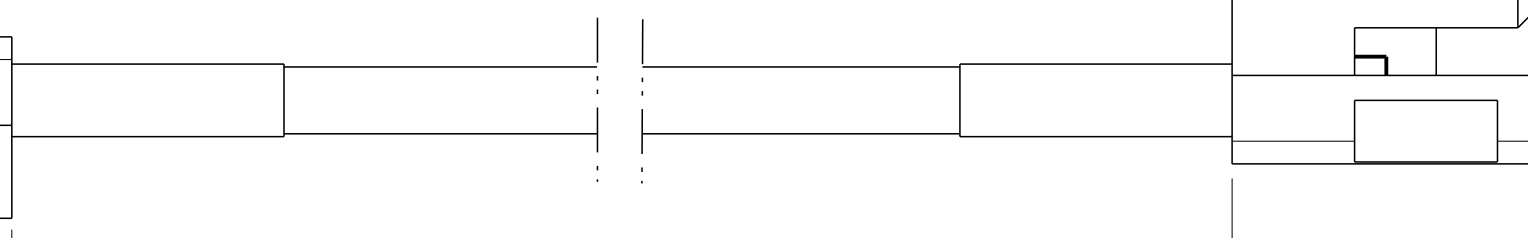
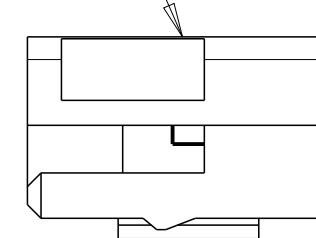


HEAT SHRINK
TUBING

WIRE COLOR
SEE TABLE

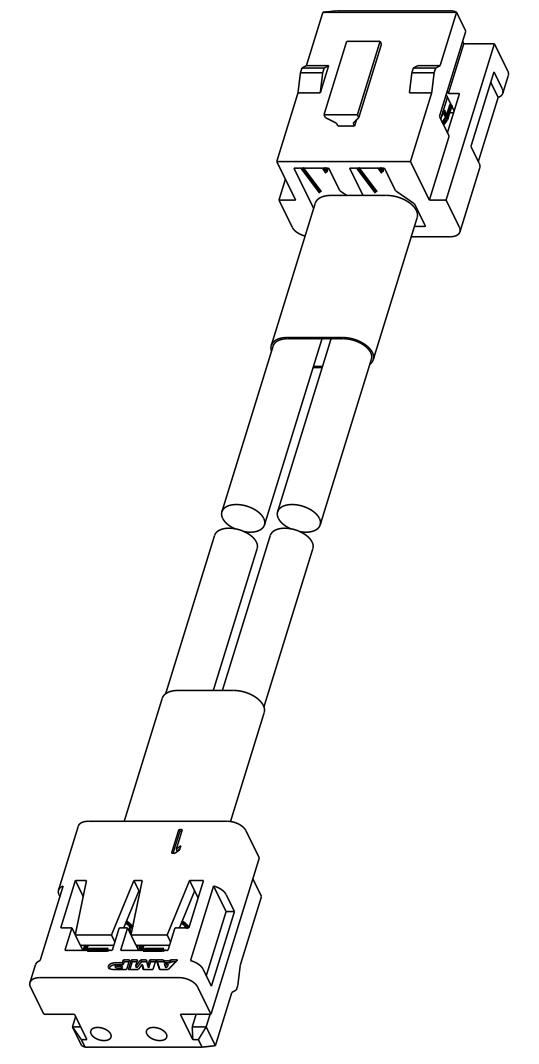
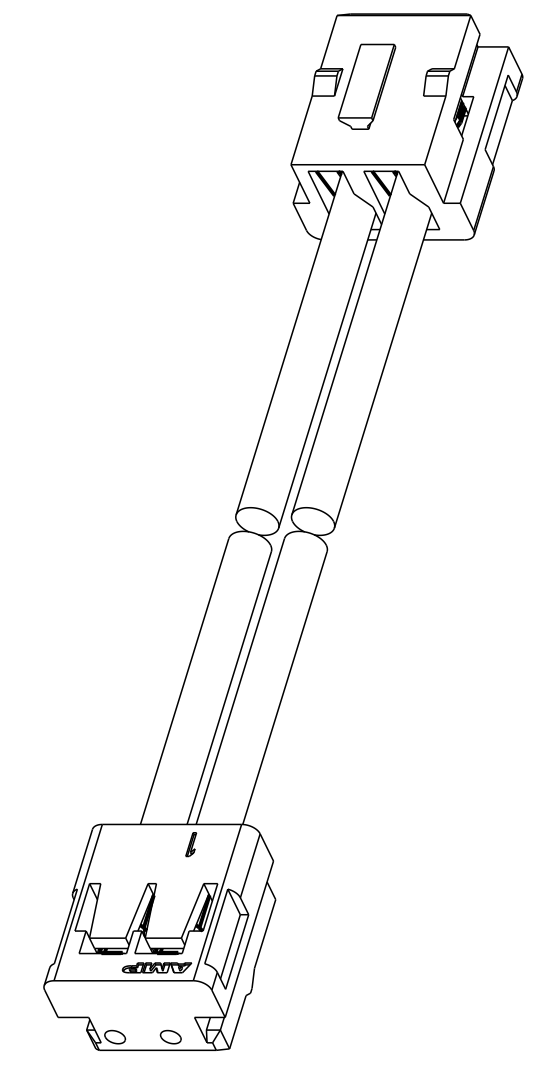
WIRE COLOR
SEE TABLE

2 POS CT
CONNECTOR



DIM L ± 3.8

- ⚠ MATERIALS AND FINISH:
HOUSING: NYLON, COLOR: BLACK
CONTACTS: COPPER ALLOY, FINISH: Ag OVER Sn
WIRE: 24 AWG, UL 1007
- 2. MUST COMPLY WITH DIRECTIVE 2002/95/EC (ROHS)
- ⚠ PRELIMINARY - NOT FOR PRODUCTION



1969343-1, -2, -3, -4, -5, -6
SCALE 4:1

1969343-7
SCALE 4:1

WHITE	WHITE	150.0	1969343-7
WHITE	WHITE	300.0	1969343-6
WHITE	WHITE	150.0	1969343-5
WHITE	WHITE	50.0	1969343-4
BLACK	RED	300.0	⚠ 1969343-3
BLACK	RED	150.0	⚠ 1969343-2
BLACK	RED	50.0	⚠ 1969343-1
WIRE COLOR POSITION #2	WIRE COLOR POSITION #1	DIM L	PART NO.

THIS DRAWING IS A CONTROLLED DOCUMENT.

DIMENSIONS: mm	TOLERANCES UNLESS OTHERWISE SPECIFIED: 0 PLC ± 1 PLC ± 2 PLC ± 3 PLC ± 4 PLC ± ANGLES ± FINISH	DWN JR RUTH 10DEC09 CHK D DECKER 10DEC09 APVD D DECKER 10DEC09 PRODUCT SPEC APPLICATION SPEC WEIGHT	NAME CABLE ASSEMBLY CT, 2 POSITION
MATERIAL		SIZE A2 CAGE CODE 00779 DRAWING NO C-1969343	RESTRICTED TO
		CUSTOMER DRAWING	SCALE NTS SHEET 1 OF 1 REV C

STE TE Connectivity