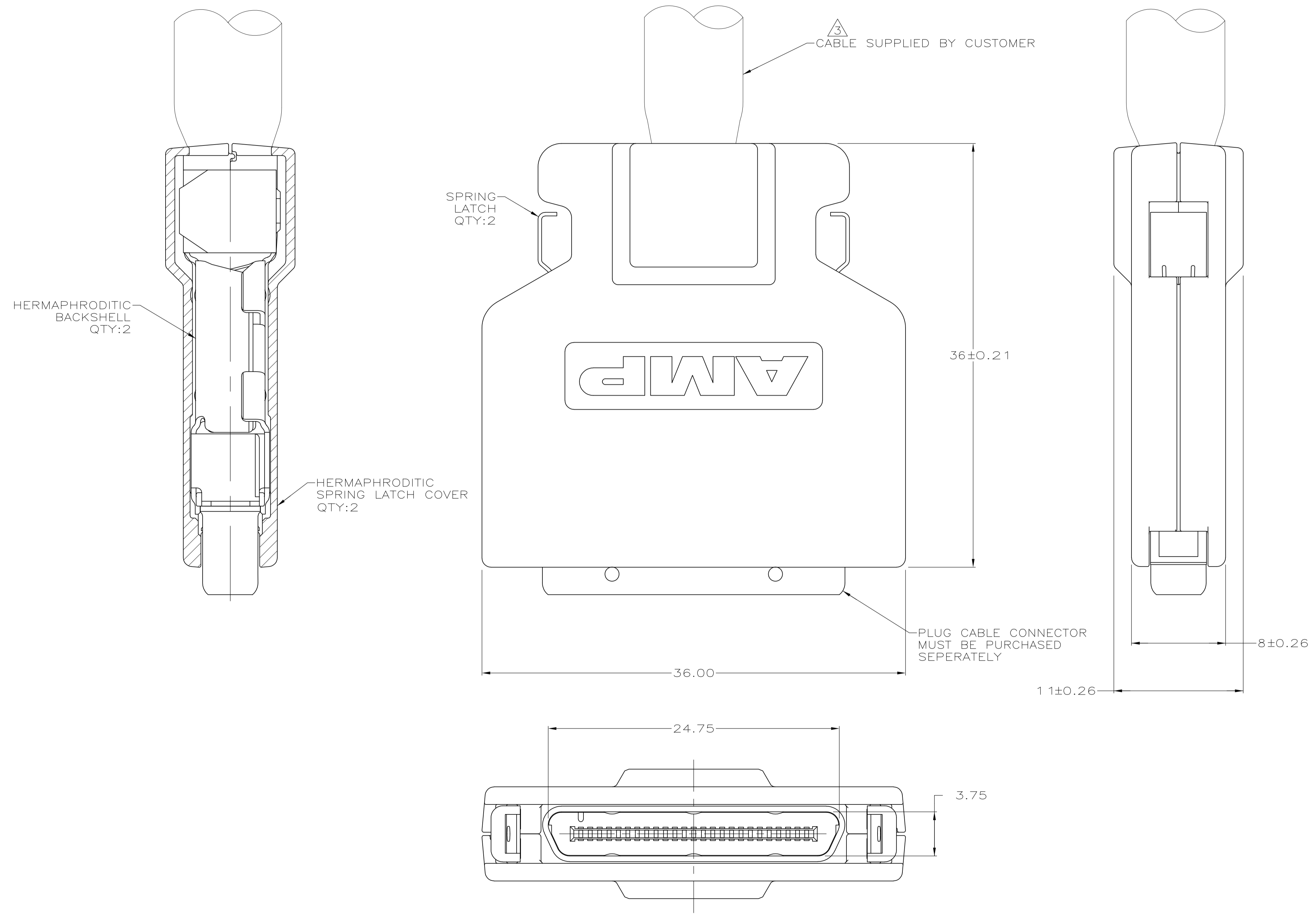


LOC		DIST		REVISIONS			
GP	00	REV	DATE	BY	APP'D	REV	DATE
E			28MAR2013	CJV	EDB		



- ⚠ MATERIAL:
HERMAPHRODITIC BACKSHELL- STEEL.
SPRING LATCH- STAINLESS STEEL.
HERMAPHRODITIC SPRING LATCH COVER- UL 94V-0 RATED
ABS MOLDING COMPOUND, COLOR-BLACK.
- ⚠ PLATING:
HERMAPHRODITIC BACKSHELL- 5µm MIN BRIGHT NICKEL OVER
2.5µm MIN COPPER.
- ⚠ RECOMMENDED WIRE: 30 AWG WITH A 0.56-0.64 INSULATION DIAMETER,
WIRE MUST BE APPROVED BY AMP ENGINEERING.

INDIVIDUAL KIT	787133-2
BULK KIT	787133-1
PACKAGING TYPE	PART NUMBER

THIS DRAWING IS A CONTROLLED DOCUMENT. DIMENSIONING AND TOLERANCING PER ASME Y14.5M-2009

DIMENSIONS:	TOLERANCES UNLESS OTHERWISE SPECIFIED:	DESIGNED BY: T. SHUEY	DATE: 02/11/13
mm	0. PLC ± -	CHK: J. GERACE	DATE: 02/11/13
	1. PLC ± -	APP'D: M. WALMSLEY	DATE: 02/11/13
	2. PLC ± 0.13	NAME: M. WALMSLEY	DATE: 02/11/13
	3. PLC ± -	PRODUCT SPEC: 108-1471	DATE: 02/11/13
	4. PLC ± -	APPLICATION SPEC: -	DATE: 02/11/13
	ANGLES ± -	SIZE: A1	SCALE: 5:1
MATERIAL: 1	FINISH: 2	WEIGHT: -	DRAWING NO: 787133
CUSTOMER DRAWING		RESTRICTED TO: -	SHEET 1 OF 1

STE TE Connectivity

BACKSHELL KIT, 50 POSITION, SQUEEZE TO RELEASE, CABLE CONNECTOR, 0.8mm CHAMP