

THIS DRAWING IS UNPUBLISHED.		RELEASED FOR PUBLICATION		2007	
COPYRIGHT 2007 BY TYCO ELECTRONICS CORPORATION. ALL RIGHTS RESERVED.					
PART NUMBER	REV	FIRST USED	POWER UNIT	FEED TYPE	
466799-1	H	-	LEADMAKER	MECHANICAL	

1. ONLY THE PARTS & HARDWARE LISTED ON PARTS LIST ARE USED ON THIS APPLICATOR.
- △ AFTER ASSEMBLY OF APPLICATOR PROPER SPRING PRESSURE (ITEM 34) CAN BE ACHIEVED BY TIGHTENING SET SCREW (ITEM 123) UNTIL CONTACT IS MADE WITH SPACER (ITEM 32) & THEN TIGHTENING AN ADDITIONAL 5 1/2 TO 6 REVOLUTIONS.
- △ RECOMMENDED SPARE PARTS.
- △ LUBRICATE DAILY USING NO.20 MACH. OIL
- △ GREASE LIGHTLY.

TERMINAL NAME: .187 FLAG FASTON RECEPTACLE						
-	62817	AMP TERMINAL - AMP CRIMP SPECS				
-	-	PAD LTR	CRIMP HEIGHT	WIRE SIZE	Ø SOLDER	
-	-	A	.040	16	-	
-	-	B	.037	18 OR 20	-	
-	-	C	.035	20	-	
-	-	D	-	-	-	
-	-	CRIMP	SIZE	TYPE	RANGE	
-	-	WIRE	.140	TAB LOC	20-16	
-	-	INSUL	.220	O	.170-.225	
WIRE STRIP LENGTH	TERM APPL SPEC	FEED	APPL INSTRUCTIONS	SET UP GAGE	LAYOUT	
-	114-2078	.640	A1 B031	-	-	

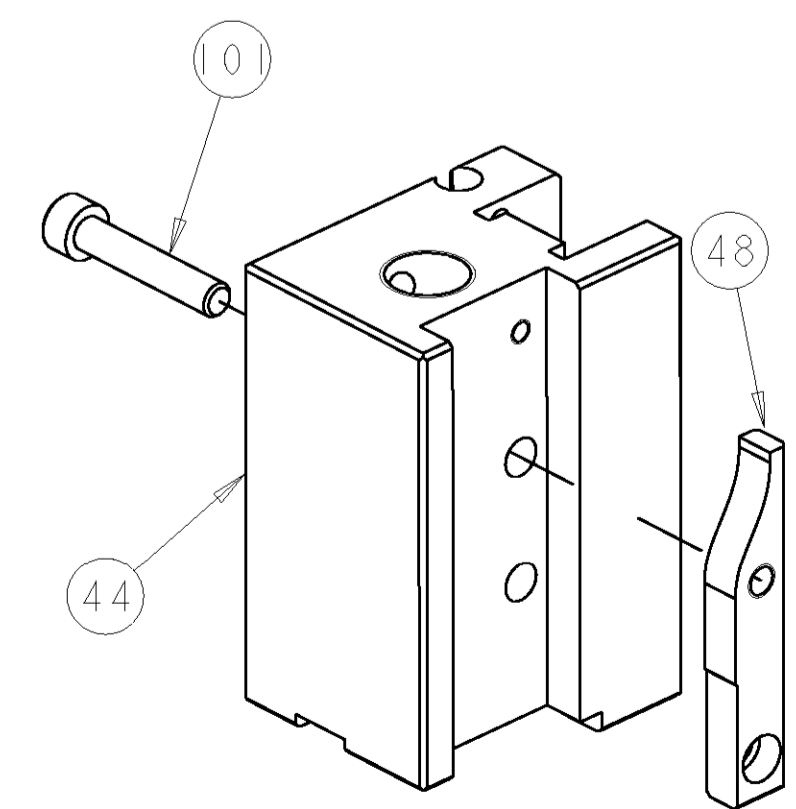
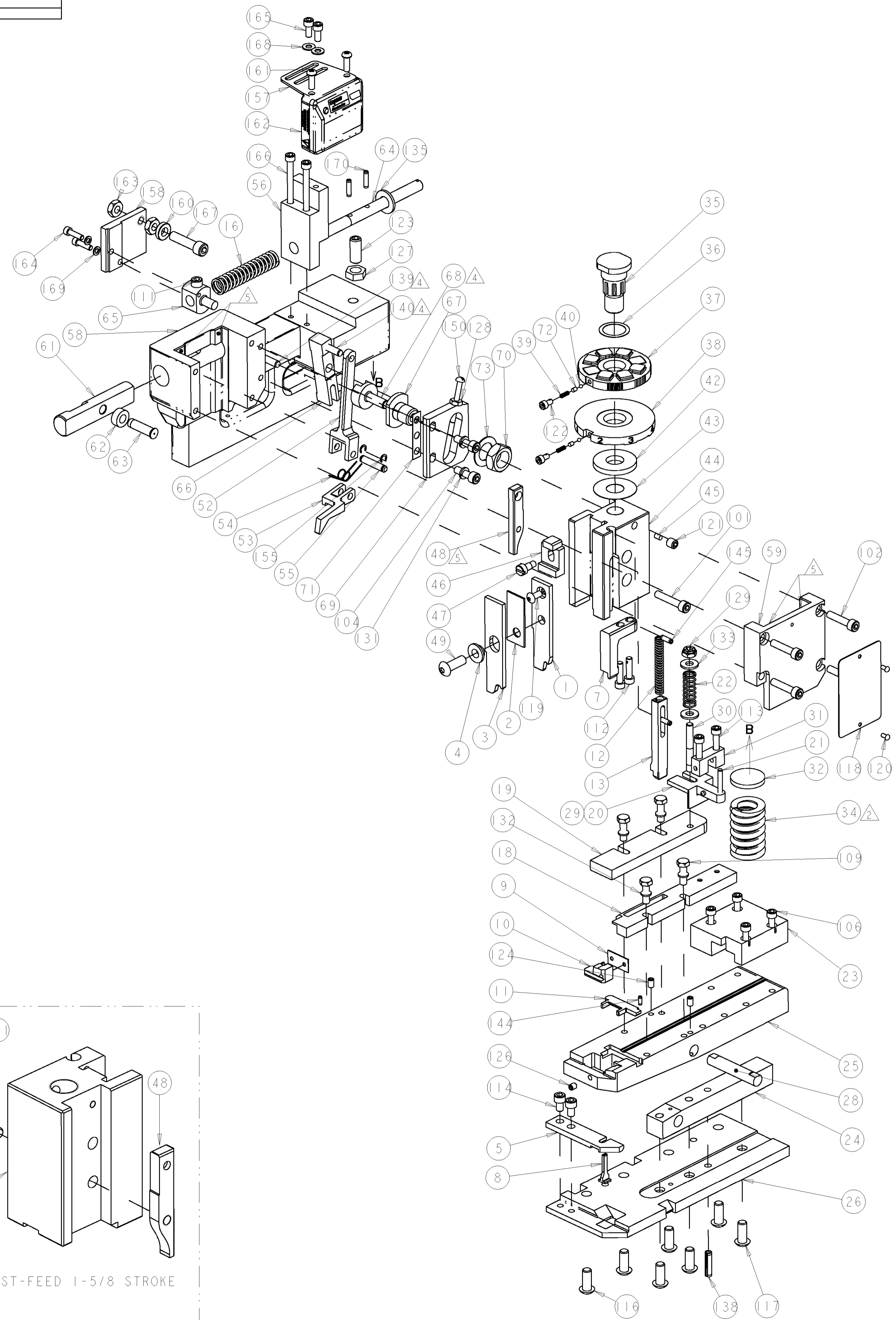
2	-	5-21028-1	PIN, SLOTTED SPRING .125 X .500	170
2	-	21024-3	WASHER, SPRG LOCK, REG NO 6	169
2	-	18028-2	WASHER, FLAT, REG M4	168
1	-	3-21081-2	SHCS, 1/4-20 X 1	167
2	-	9-21000-3	SCR, SKT HD CAP 8-32 X 2.000	166
2	-	2-21000-6	SCR, SKT HD CAP 8-32 X .375	165
2	-	2-21000-0	SCR, SKT HD CAP 6-32 X .500	164
2	-	22593-1	NUT, HEX, JAM, SS	163
1	-	1804300-1	ASSEMBLY, APPLICATOR COUNTER	162
2	-	994991-5	SCREW, OVL HD, M4X12	161
1	-	1804310-1	MAGNET, RING	160
1	-	1804318-1	BRACKET, MAGNET HOLDER	158
1	-	1804303-1	BRACKET, COUNTER MOUNTING	157
2	-	21045-3	RING, RETAIN, EXTERN, 3/16 CRESCENT	155
1	-	3-21064-1	SCREW, MACHINE, SLOTTED ROUND HEAD	150
2	-	4-21028-9	PIN, SLOTTED SPRING .125 X .375	145
1	-	3-21028-2	PIN, SLOTTED SPRING .094 X .250	144
1	-	1-21030-2	PIN, DOWEL .1875 X .625	140
1	-	1-21030-6	PIN, DOWEL .1875 X 1.250	139
1	-	21029-5	PIN, SLOTTED SPRING .188 X .750	138
1	-	21899-4	WASHER, FLAT	135
2	-	21899-2	WASHER, FLAT	133
4	-	21024-4	WASHER, SPRG LOCK, REG NO 8	132
2	-	21024-5	WASHER, SPRG LOCK, REG NO 10	131
1	-	21022-3	NUT, HEX, SELF-LOCKING, THIN, 10-32	129
1	-	21068-5	NUT, HEX, REG 6-32	128
1	-	1-22202-7	NUT, HEX, JAM 5/16-24/UNF	127
1	-	21061-9	SCR, SET, CONE POINT 8-32 X .250	126
2	-	4-21006-0	SCR, SET, CUP POINT 8-32 X .250	124
1	-	8-21007-5	SCR, SET, CUP POINT 5/16-24 X .750	123
2	-	23030-1	SCR, SKT HD CAP, S-LOCK, 6-32 X .25	122
1	-	21009-2	SCR, SET, SELF LOCKING 1/4-20 X .250	121
2	-	21017-2	SCREW, DRIVE	120
1	-	2-21002-1	SCR, BTN SKT HD CAP 8-32 X .375	119
1	-	461264-1	PLATE, IDENTIFICATION	118
3	-	3-21002-4	SCR, BTN SKT HD CAP 1/4-20 X .625	117
4	-	2-22733-8	SCR, BHSC, SELF-LOCKING, 1/4-20 X .625	116
2	-	7-21000-6	SCR, SKT HD CAP 10-32 X .312	114
2	-	2-21000-8	SCR, SKT HD CAP 8-32 X .625	113
2	-	1-23030-1	SCR, SKT HD CAP, S-LOCK, 8-32 X .625	112
1	-	3-21000-4	SCR, SKT HD CAP 10-32 X .375	111
4	-	2-22603-8	SCREW, MACH, HEX HD, 10-24 X .625	109
4	-	2-21000-9	SCR, SKT HD CAP 8-32 X .750	106
2	-	3-21000-6	SCR, SKT HD CAP 10-32 X .625	104
4	-	3-21000-8	SCR, SKT HD CAP 10-32 X .875	102
2	-	3-21000-9	SCR, SKT HD CAP 10-32 X 1.000	101
1	-	458109-1	WASHER, SPECIAL ADJUST PLATE	73
2	-	690603-1	SPRING ASSIST AMP-O-MATOR APPLICATOR	72
1	-	690517-1	SPACER, ADJ PLATE	71
1	-	22594-8	NUT, HEX, JAM	70

REVISONS		DATE	BY	APPD
LOC	DIST			
A	66	27MAR2007	BW	TE

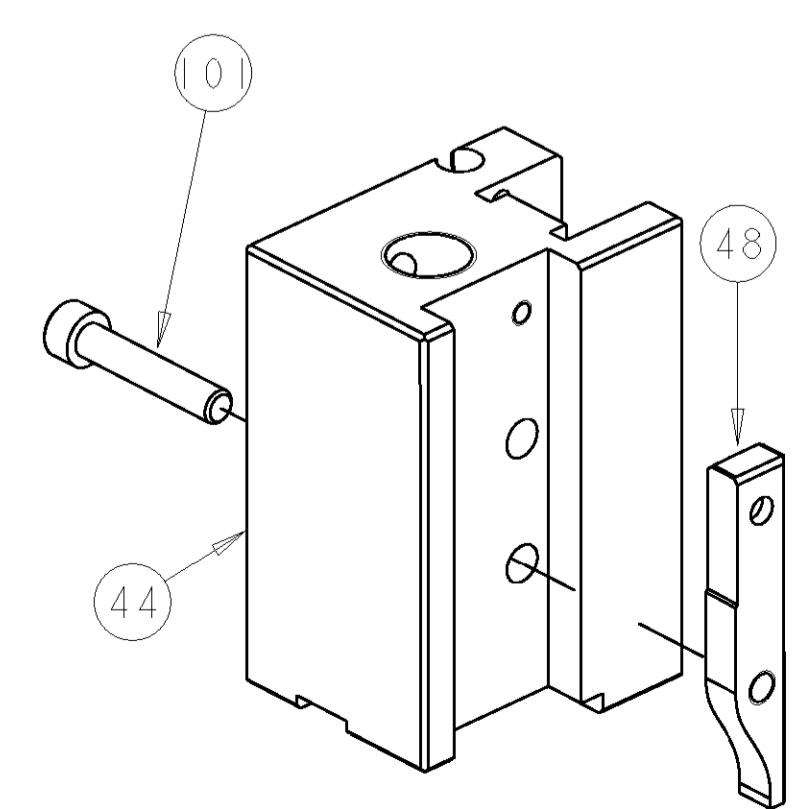
1	-	240628-1	PLATE, ADJUSTING	69
1	-	240626-1	SHAFT-PIVOT AMP-O-MATOR	68
1	-	240633-1	BUSHING	67
1	-	240630-1	LEVER, INTERMEDIATE	66
1	-	1804317-1	BLOCK, PIVOT	65
1	-	1633286-1	SCREW, ADJUSTMENT	64
1	-	240659-3	PIN, CAM ROLLER	63
1	-	240658-1	ROLLER-CAM	62
1	-	240631-1	ROD, FEED	61
1	-	455164-1	CAP, RAM	59
1	-	455162-1	HOUSING, MACHINED	58
1	-	1804319-1	GUIDE, FEED ROD	56
1	-	240624-1	PIN, FEED FINGER	55
1	-	691499-1	SPRING-FEED FINGER	54
1	-	454568-2	FINGER, FEED	53
1	-	240634-1	LEVER, TERMINAL FEED	52
1	-	3-21002-5	SCR, BTN SKT HD CAP 1/4-20 X .750	49
1	-	238015-1	CAM, POST FEED 1 5/8	48
1	-	22353-8	SCR, SHLD, SLOT HD, 3/16 DIA	47
1	-	690578-1	INSULATION ADJUST BLOCK	46
1	-	690191-1	PLUG, NYLON	45
1	-	454574-1	RAM	44
1	-	690125-1	SHIM SUB-ASSY	43
1	-	1-690124-1	WASHER, RAM (.150)	42
2	-	23241-6	BALL, STEEL	40
2	-	690170-1	SPRING, COMPRESSION	39
1	-	690142-1	DISC, INSULATION	38
1	-	8-690692-6	DISC-WIRE CRIMP ADJUSTMENT	37
1	-	22480-5	WASHER, WAVE SPRING	36
1	-	690212-1	POST, RAM	35
1	-	3-23846-5	SPRING, DIE	34
1	-	690573-1	SPACER, SPRING	32
1	-	454569-1	MOUNT, DRAG	31
1	-	1-22354-8	STUD, THREADED	30
1	-	21030-2	PIN, DOWEL .1250 X .500	29
1	-	690582-1	PIN, HINGE	28
1	-	684905-1	PLATE, BASE	26
1	-	454579-2	BAR, HINGE	25
1	-	690571-1	STABILIZER	24
1	-	690585-1	BLOCK, SPRING PRESSURE	23
1	-	8-22282-6	SPRING, COMPRESSION	22
1	-	21030-6	PIN, DOWEL .1250 X 1.000	21
1	-	454570-1	DRAG, STOCK	20
1	-	454573-1	GUIDE, STRIP, REAR	19
1	-	454571-2	GUIDE, FRONT STRIP	18
1	-	4-22284-9	SPRING, COMPRESSION	16
1	-	692134-7	TERMINAL POSITIONER	13
1	-	5-22280-5	SPRING, COMPRESSION	12
1	-	454712-5	PLATE, REAR SHEAR	11
1	-	683641-1	ANVIL, INSERT	10
1	-	690569-2	PLATE, SHEAR, FRONT	9
1	-	690718-1	ANVIL, REVERSIBLE	8
1	-	454575-6	BLADE, SHEAR	7
1	-	684906-1	ANVIL RETAINING	5
1	-	690574-1	SPACER, TUBULAR	4
1	-	690764-1	INSULATION CRIMPER	3
1	-	681153-1	SPACER, CRIMPER	2
1	-	690716-3	CRIMPER, WIRE PREMIUM	1
-1	U/M	PART NO	DESCRIPTION	ITEM NO

DIMENSIONS:		TOLERANCES UNLESS OTHERWISE SPECIFIED:		DWG: WEAVER 07FEB2007		Tyco Electronics Harrisburg, PA 17105-3608	
IN		0 PLC ±		CHK: T. ELBIN 07FEB2007		NAME: APPLICATOR, HINGE BAR, .187 FLAG FASTON RECEPTACLE	
		1 PLC ±		APVD: T. ELBIN 07FEB2007		PRODUCT SPEC	
		3 PLC ±		APPL SPEC		SIZE: CAGE CODE: DRAWING NO	
		4 PLC ±		WEIGHT		RESTRICTED TO	
		ANGLES ±		A100779C=466799-1		SCALE: 1:1 SHEET 1 OF 2 REV H	
MATERIAL		FINISH		CUSTOMER DRAWING		CUSTOMER VIEWABLE ASSEMBLY	

LOC		DIST		REVISONS			
A	66	P	LTR	DESCRIPTION	DATE	DWN	APVD
		-	-	SEE SHEET 1	-	-	-



PRE-FEED 1-5/8 STROKE



POST-FEED 1-5/8 STROKE

<small>THE INFORMATION CONTAINED HEREIN IS UNCLASSIFIED EXCEPT WHERE SHOWN OTHERWISE. IT IS THE PROPERTY OF TYCO ELECTRONICS CORPORATION AND IS TO BE CONTAINED AND CONTROLLED BY THE USER'S ORGANIZATION UNLESS SO INDICATED BY THE USER'S ORGANIZATION.</small>		DWN: B. WEAVER 07FEB2007 CHK: T. ELBIN 07FEB2007 APVD: T. ELBIN 07FEB2007	<b>tyco</b> Tyco Electronics Harrisburg, PA 17105-3608
DIMENSIONS: IN 		TOLERANCES UNLESS OTHERWISE SPECIFIED: 0 PLC ± 1 PLC ± 3 PLC ± 4 PLC ± ANGLES ±	NAME: APPLICATOR, HINGE BAR, .187 FLAG FASTON RECEPTACLE PRODUCT SPEC: APPLICATION SPEC: SIZE: CAGE CODE: DRAWING NO: A100779C-466799-1 RESTRICTED TO:
MATERIAL: - FINISH: -		WEIGHT: - CUSTOMER DRAWING	SCALE: 3:5 SHEET: 2 OF 2 REV: H

CUSTOMER VIEWABLE ASSEMBLY