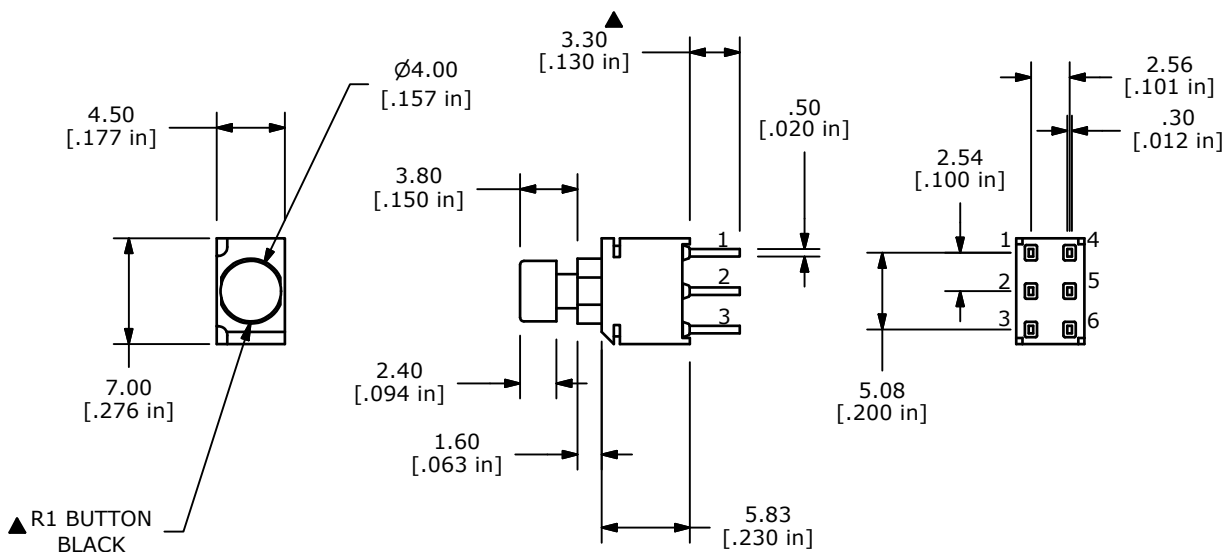


SWITCH FUNCTION	
POS. 1	POS. 2
ON	(ON)
2-3; 5-6	2-1; 5-4
(ON)=MOMENTARY	



- NOTE:
1. ALL DIMENSIONS IN MM [INCH]
  2. GENERAL TOLERANCE: X.X=±0.4  
X.XX=±0.25
  3. TERMINAL NUMBERS FOR REF ONLY
  - ▲ 4. CONTACTS: GOLD PLATED
  5. TRAVEL: 1.0mm
  6. RATING: 0.4 VA max. @ 20V AC OR DC max.
  7. CONTACT RESISTANCE: <100 MILLI-OHM
  8. ELECTRICAL LIFE: 6,000 MAKE-AND-BREAK CYCLES.
  9. INSULATION RESISTANCE: 500 MEGA-OHM min.
  10. DIELECTRIC STRENGTH: 500 V RMS @SEA LEVEL.
  11. OPERATING TEMP.: -30°C to 85°C
  12. ▲ DENOTES CRITICAL PARAMETER.
  13. SEAL RATING: IP67
  14. 2002/95/EC (ROHS) COMPLIANT

▲ R1 BUTTON BLACK



TITLE 800UDP8P1A1M2RER1BLK

A	21940	New Release	8/3/15	rc
REV	PCR NO	DESCRIPTION	DATE	BY

SCALE	DATE	DR	DWG	REV
2:1	7/27/2015	rc	T850006	A

THE INFORMATION CONTAINED IN THIS DOCUMENT IS PROPRIETARY TO E-SWITCH AND IS NOT TO BE COPIED OR TRANSFERRED