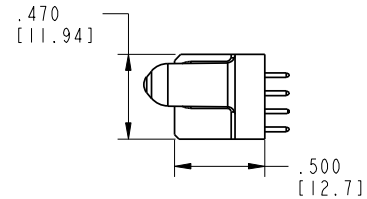
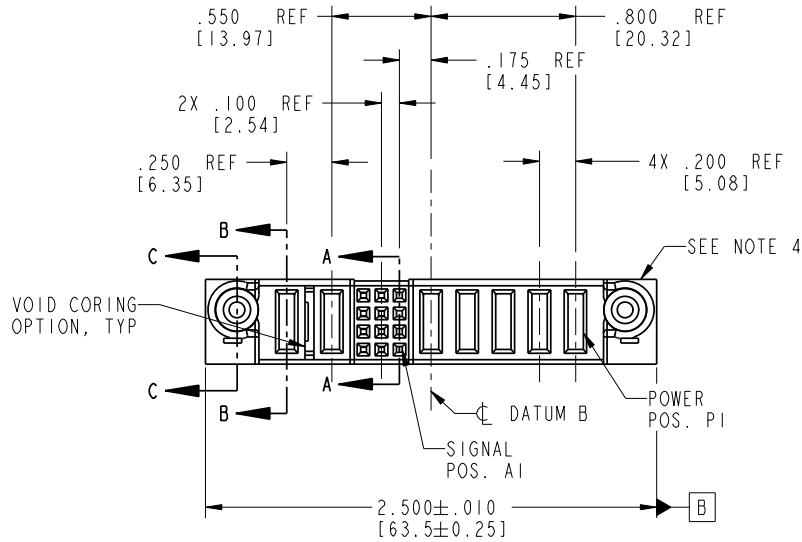


Tous droits strictement réservés. Reproduction ou communication à des tiers interdite sous quelque forme que ce soit sans autorisation écrite du propriétaire. Propriété de c FCI. Droits de reproduction FCI.



All rights strictly reserved. Reproduction or issue to third parties in any form without written authority from the proprietor. Property of FCI. Copyright FCI.

PRODUCT NO.	ROW S	POWER		SIGNAL			POWER					E1	
		E2	P7	P6	3	2	1	P5	P4	P3	P2		P1
51940-084-- NOTE 3	D C A		PA	PA	EE	EE	EE	PA	X	PD	X	PD	



CODE	DIM "M" MATING LENGTH	CONTACT TYPE
E	N/A [N/A]	SIGNAL
PA	.042 [1.07]	POWER
PD	.092 [2.34]	POWER
X	OMITTED	OMITTED

mat'l code				SEE NOTE 2		tolerances unless otherwise specified		CUSTOMER	
lir	ecn no.	dr	date	linear	.XX±.01/0.X±0.3		COPY		
A	V04-0292	TAB	03/26/04		.XXX±.005/0.XX±0.13		projection		
B	DG06-0558	RYAN	12/25/06	angles	.XXX±.002/0.XXX±0.051		INCH/MM		
				dr	T. BRUNGARD	03/26/04	scale		
				enrg	M. GRAY	03/26/04	1:1		
				chr	M. GRAY	03/26/04			
				appd	M. GRAY	03/26/04			
sheet index	revision	B	B	B	B	B			
	sheet	1	2	3	4				

FCI		www.fciconnect.com	
title		5P + 12S + 2P	
product family		PwrBlade	
size		213	
dwg no		51940-084	
code		1 of 4	

cage code 22526

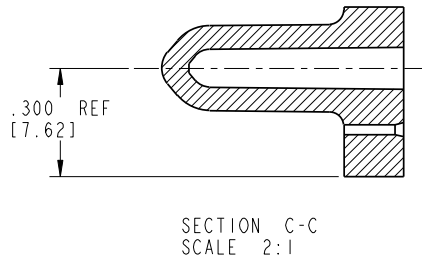
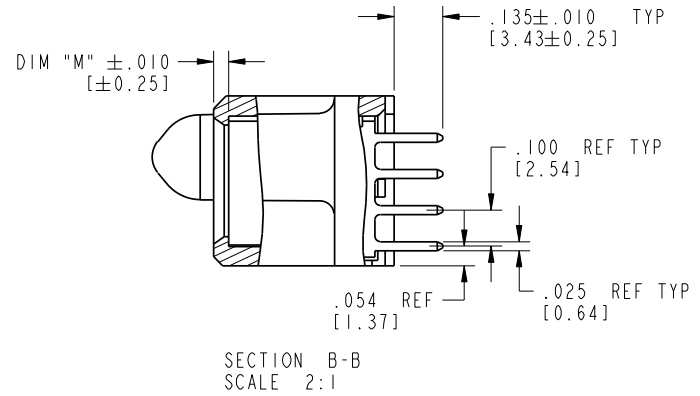
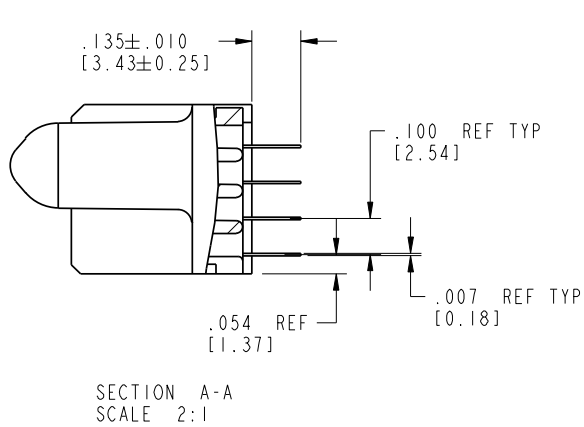
Pro/E

Tous droits strictement reserves. Reproduction ou communication a des tiers interdite sous quelque forme que ce soit sans autorisation écrite du propriétaire. Propriete de c FCI. Droits de reproduction FCI.



All rights strictly reserved. Reproduction or issue to third parties in any form whatever is not permitted without written authority from the proprietor. Property of FCI. Copyright FCI.

PRODUCT NUMBER
51940-084__
NOTE 3



mat'l code		SEE NOTE 2		tolerances unless otherwise specified		CUSTOMER		FCI		www.fciconnect.com	
lir	ecn no.	dr	date	linear	.XX±.01/0.X±0.3	COPY		projection	title		
B					.XXX±.005/0.XX±0.13				5P + 12S + 2P		
				angles	.XXX±.002/0.XXX±0.051				VERTICAL SOLDER RECEIPT		
				dr	0°±2°	T. BRUNGARD 03/26/04		INCH/MM	product family	PwrBlade	code
				engr		M. GRAY 03/26/04		scale	size		213
				chr		M. GRAY 03/26/04		1:1	dwg no	51940-084	sheet
				appd		M. GRAY 03/26/04			A		2 of 4
sheet index	revision sheet										

cage code 22526

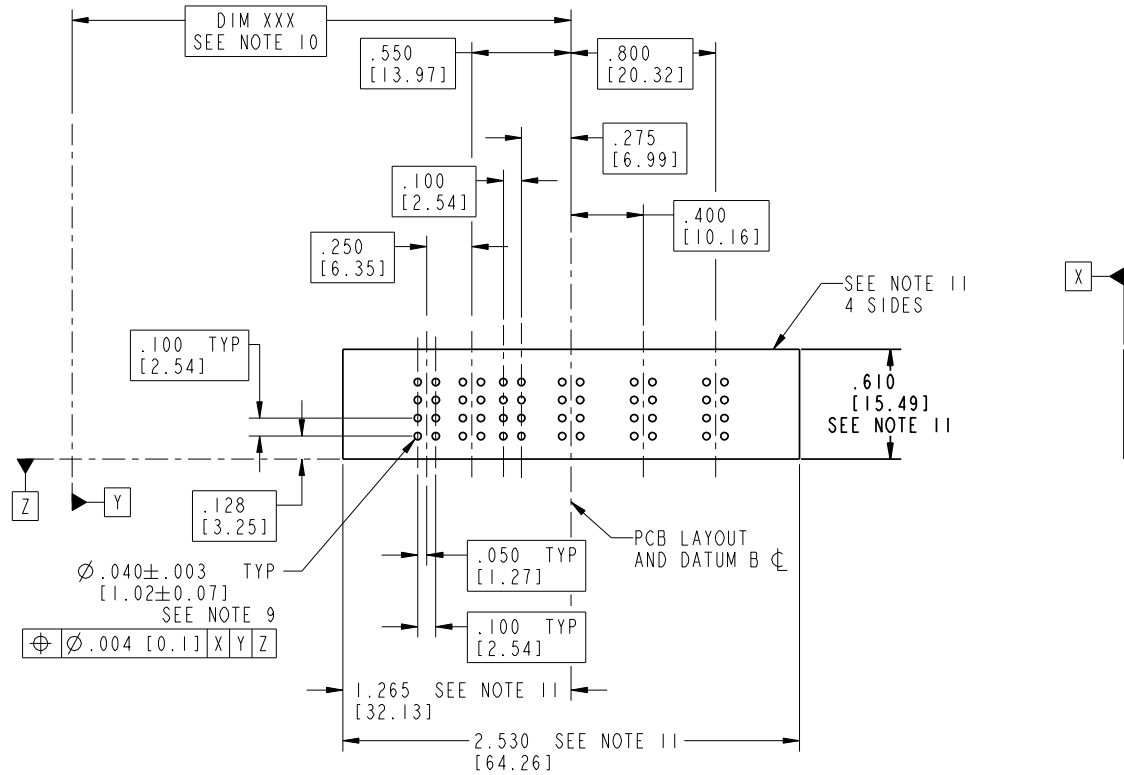
Pro/E

Tous droits strictement reserves. Reproduction ou communication a des tiers interdite sous quelque forme que ce soit sans autorisation écrite du propriétaire. Propriete de c FCI. Droits de reproduction FCI.



All rights strictly reserved. Reproduction or issue to third parties in any form whatever is not permitted without written authority from the proprietor. Property of FCI. Copyright FCI.

PRODUCT NUMBER
51940-084__
NOTE 3



mat'l code		SEE NOTE 2		tolerances unless otherwise specified		CUSTOMER		FCI	
lir	ecn no.	dr	date	linear	.XX±.01/0.X±0.3	COPY		www.fciconnect.com	
B				linear	.XXX±.005/0.XX±0.13	projection		title	
				angles	.XXX±.002/0.XXX±0.051			5P + 12S + 2P	
				dr	T. BRUNGARD 03/26/04	INCH/MM		VERTICAL SOLDER RECEIPT	
				enrg	M. GRAY 03/26/04	scale		product family	
				chr	M. GRAY 03/26/04	1:1		PwrBlade	
				appd	M. GRAY 03/26/04			code	
sheet index	revision sheet							213	
								sheet	
								3 of 4	

cage code 22526

Pro/E

Tous droits strictement reserves. Reproduction ou communication a des tiers interdite sous quelque forme que ce soit sans autorisation écrite du propriétaire. Propriete de c FCI. Droits de reproduction FCI.



All rights strictly reserved. Reproduction or issue to third parties in any form whatever is not permitted without written authority from the proprietor. Property of FCI. Copyright FCI.

PRODUCT NUMBER
51940-084__
NOTE 3

NOTES:

1. DIMENSIONS AND TOLERANCES ARE IN ACCORDANCE WITH ASME Y14.5M, 1994 UNLESS OTHERWISE SPECIFIED.

CONNECTOR NOTES:

- 2 HOUSING MATERIAL: UL 94 V-0 GLASS FILLED
HIGH-TEMP THERMOPLASTIC
POWER CONTACT MATERIAL: COPPER ALLOY
SIGNAL PIN MATERIAL: COPPER ALLOY
- 3. PLATING:
SEE PRINT 10064183 FOR PLATING SPEC OF 51940-084; 51940-084LF

4 MANUFACTURER'S NAME, P/N, AND DATE CODE TO APPEAR ON THIS SURFACE.

5. PRODUCT SPECIFICATION GS-12-149.
APPLICATION SPECIFICATION BUS-20-067.

6. PACKAGED IN TRAYS.

PCB NOTES:

7. ALL HOLE DIAMETERS ARE FINISHED HOLE SIZE.

8 MOUNTING HOLES, WHERE APPLICABLE, ARE UNPLATED.

9 $\varnothing .0453 \pm .0010$ [1.151 ± 0.025] DRILLED HOLES PLATED WITH
.0003 [0.008] MIN SnPb OVER .001 [0.03]
TO .003 [0.08] Cu PLATING TO ACHIEVE
 $\varnothing .040 \pm .003$ [1.02 ± .07] HOLE.

10 "DIM XXX" TO BE DETERMINED BY THE CUSTOMER.

11 CONNECTOR KEEP-OUT ZONE.

mat'l code		SEE NOTE 2		tolerances unless otherwise specified		CUSTOMER		FCI		www.fciconnect.com	
lfr	ecr no.	dr	date	linear	.XX±.01/0.X±0.3	COPY		projection		title	
B					.XXX±.005/0.XX±0.13	INCH/MM		5P + 12S + 2P		VERTICAL SOLDER RECEPT	
				angles	.XXX±.002/0.XXX±0.051	← ⊕ →		product family		PwrBlade	
				dr	0° ± 2°	scale		size		code	
				enrg	T. BRUNGARD 03/26/04	1:1		A		213	
				chr	M. GRAY 03/26/04			51940-084		sheet	
				appd	M. GRAY 03/26/04					4 of 4	
sheet index	revision sheet										

cage code 22526

Pro/E