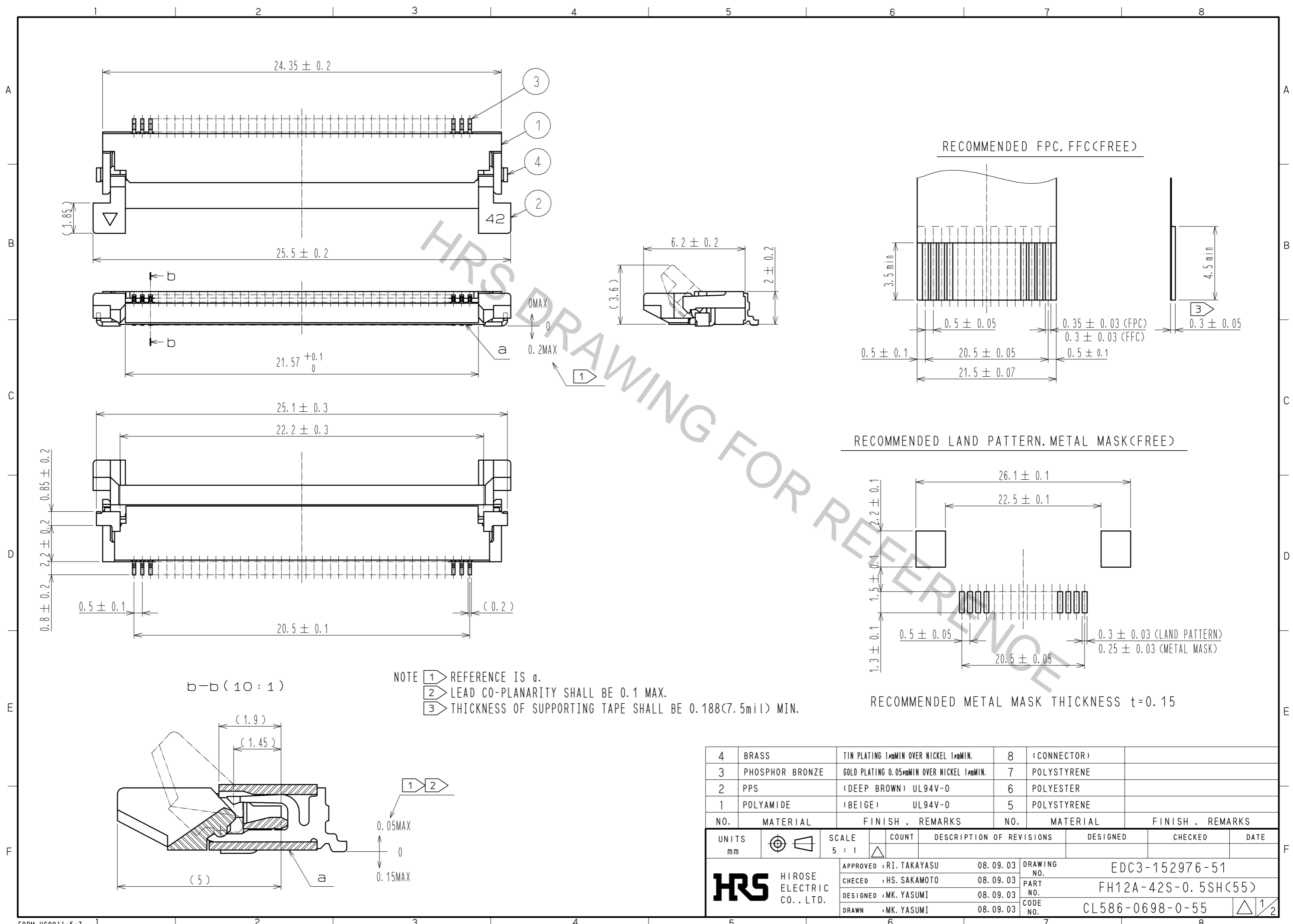
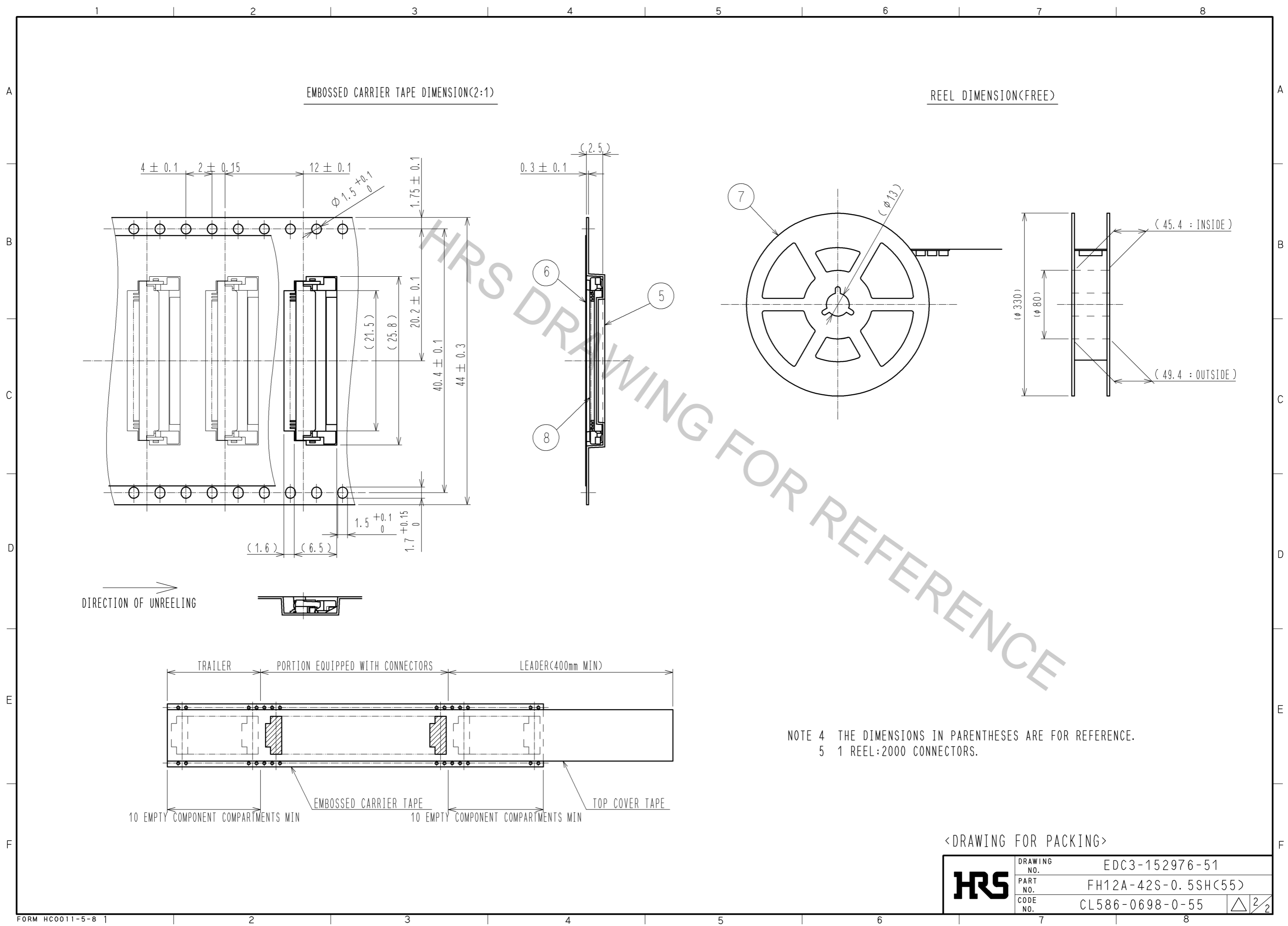


May.1.2017 Copyright 2017 HIROSE ELECTRIC CO., LTD. All Rights Reserved.



4	BRASS	TIN PLATING 1μMIN OVER NICKEL 1μMIN.	8	(CONNECTOR)	
3	PHOSPHOR BRONZE	GOLD PLATING 0.05μMIN OVER NICKEL 1μMIN.	7	POLYSTYRENE	
2	PPS	(DEEP BROWN) UL94V-0	6	POLYESTER	
1	POLYAMIDE	(BEIGE) UL94V-0	5	POLYSTYRENE	
NO.	MATERIAL	FINISH . REMARKS	NO.	MATERIAL	FINISH . REMARKS
UNITS	mm	SCALE	5 : 1	COUNT	DESCRIPTION OF REVISIONS
				DESIGNED	CHECKED
				DATE	
APPROVED : RI. TAKAYASU			08.09.03	DRAWING NO. EDC3-152976-51	
CHECKED : HS. SAKAMOTO			08.09.03	PART NO. FH12A-42S-0.5SH(55)	
DESIGNED : MK. YASUMI			08.09.03	CODE NO. CL586-0698-0-55	
DRAWN : MK. YASUMI			08.09.03		

May.1.2017 Copyright 2017 HIROSE ELECTRIC CO., LTD. All Rights Reserved.



NOTE 4 THE DIMENSIONS IN PARENTHESES ARE FOR REFERENCE.  
 5 1 REEL:2000 CONNECTORS.

<DRAWING FOR PACKING>

<b>HRS</b>	DRAWING NO.	EDC3-152976-51
	PART NO.	FH12A-42S-0.5SH(55)
	CODE NO.	CL586-0698-0-55
		△ 2/2