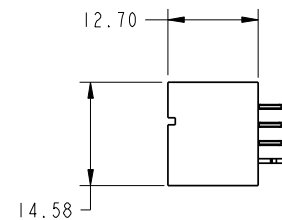
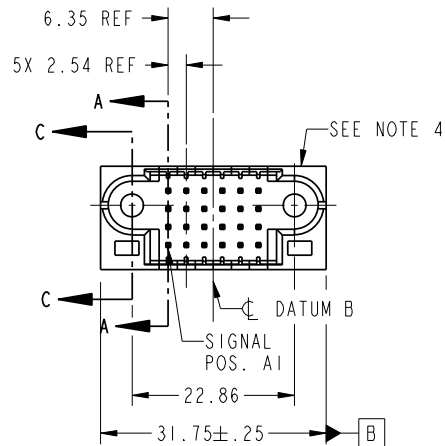


Tous droits strictement reserves. Reproduction ou communication a des tiers interdite sous quelque forme que ce soit sans autorisation écrite du propriétaire. Propriete de c FCI. Droits de reproduction FCI.



All rights strictly reserved. Reproduction or issue to third parties in any form whatever is not permitted without written authority from the proprietor. Property of FCI. Copyright FCI.

PRODUCT NO.	ROWS	SIGNAL							
		E1	1	2	3	4	5	6	E2
51952-125-- NOTE ③	D C B A		G	G	G	G	G	G	



CODE	DIM "M" MATING LENGTH	CONTACT TYPE
G	[6.86]	SIGNAL
HA	[N/A]	HOLD-DOWN

mat'l code				tolerances unless otherwise specified				CUSTOMER		FCI	
lfr	ecn no.	dr	date	linear	0.X ± 0.3			COPY		www.fciconnect.com	
A	DG07-0374	JULIA	09/10/07		0.XX ± 0.13			projection		title	
				angles	0.XXX ± 0.051					24S	
				dr	JULIA WANG	09/10/07				VERTICAL PF HEADER	
				enrg	JEROME CHEN	09/10/07		MM		product family PwrBlade code	
				chr	GARY HSIEH	09/10/07		scale		size	
				appd	JOSEPH HSIA	09/10/07		1:1		dwg no	
sheet index	revision sheet	A	A	A	A	A				51952-125	
		1	2	3	4					213	
										sheet 1 of 4	

cage code 22526

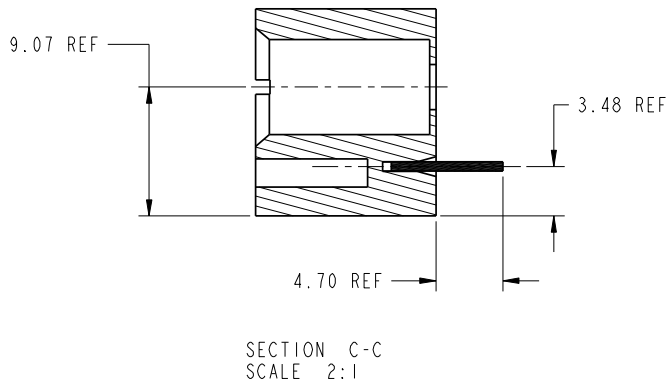
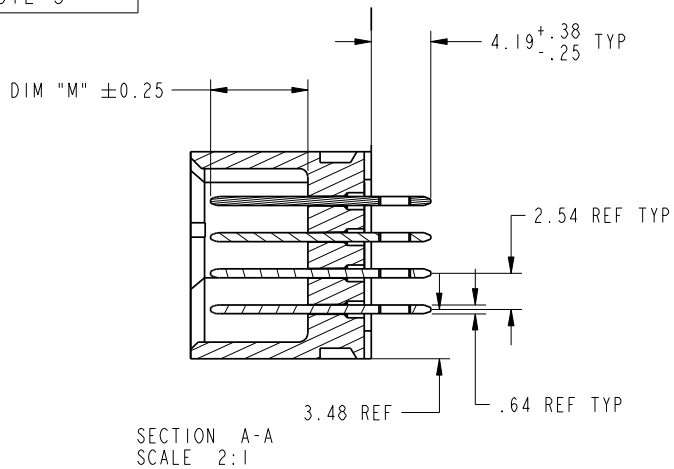
Pro/E

Tous droits strictement reserves. Reproduction ou communication a des tiers interdite sous quelque forme que ce soit sans autorisation ecrite du propriétaire. Propriete de c FCI. Droits de reproduction FCI.



All rights strictly reserved. Reproduction or issue to third parties in any form whatever is not permitted without written authority from the proprietor. Property of FCI. Copyright FCI.

PRODUCT NUMBER  
51952-125\_\_  
NOTE 3



mat'l code				tolerances unless otherwise specified		CUSTOMER		FCI	
lfr	ecn no.	dr	date	linear	0.X ±0.3	COPY		www.fciconnect.com	
A					0.XX ±0.13	projection		title	
				angles	0.XXX ±0.051			24S VERTICAL PF HEADER	
				dr	JULIA WANG 09/10/07			product family PwrBlade code	
				enr	JEROME CHEN 09/10/07	scale		size	
				chr	GARY HSIEH 09/10/07	1:1		dwg no	
				appd	JOSEPH HSIA 09/10/07			A 51952-125	
sheet index	revision sheet								code
									213 sheet 2 of 4

cage code 22526

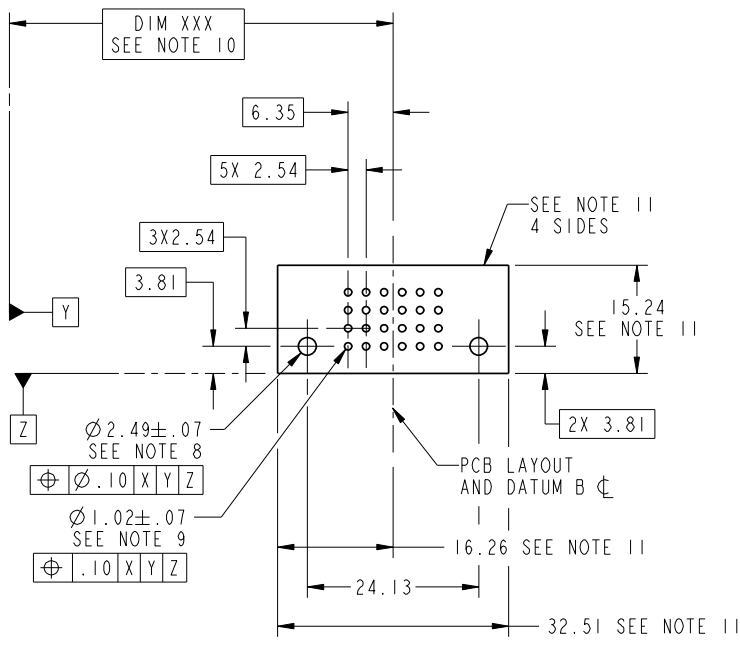
Pro/E

Tous droits strictement reserves. Reproduction ou communication a des tiers interdite sous quelque forme que ce soit sans autorisation écrite du propriétaire. Propriete de c FCI. Droits de reproduction FCI.



All rights strictly reserved. Reproduction or issue to third parties in any form whatever is not permitted without written authority from the proprietor. Property of FCI. Copyright FCI.

PRODUCT NUMBER  
51952-125\_\_  
NOTE 3



mat'l code				tolerances unless otherwise specified		CUSTOMER		FCI	
lfr	ecn no.	dr	date	linear	0.X ± 0.3	COPY		www.fciconnect.com	
A				angles	0.XX ± 0.13	projection	title 24S		
				dr	0.XXX ± 0.051		VERTICAL PF HEADER		
				enr	0° ± 2°	MM	product family	PwrBlade	code
				chr	JULIA WANG 09/10/07	scale	size	dwg no	213
				appd	JEROME CHEN 09/10/07	1:1	A	51952-125	sheet
sheet index	revision sheet				GARY HSIEH 09/10/07				3 of 4
					JOSEPH HSIA 09/10/07				

cage code 22526

Pro/E

Tous droits strictement reserves. Reproduction ou communication a des tiers interdite sous quelque forme que ce soit sans autorisation ecrite du proprietaire. Propriete de c FCI. Droits de reproduction FCI.



All rights strictly reserved. Reproduction or issue to third parties in any form whatever is not permitted without written authority from the proprietor. Property of FCI. Copyright FCI.

**PRODUCT NUMBER**  
51952-125--  
NOTE 3

**NOTES:**

1. DIMENSIONS AND TOLERANCES ARE IN ACCORDANCE WITH ASME Y14.5M, 1994 UNLESS OTHERWISE SPECIFIED.

**CONNECTOR NOTES:**

2 HOUSING MATERIAL: UL 94 V-0 GLASS FILLED  
HIGH-TEMP THERMOPLASTIC  
POWER CONTACT MATERIAL: COPPER ALLOY  
SIGNAL PIN MATERIAL: COPPER ALLOY

3. PLATING:  
51952-125 ,51952-125LF PLATING SPEC. WAS SHOWN IN THE PRINT OF 10064183.

4 MANUFACTURER'S NAME, P/N, AND DATE CODE TO APPEAR ON THIS SURFACE.

5. PRODUCT SPECIFICATION GS-12-149.  
APPLICATION SPECIFICATION BUS-20-067.

6. PACKAGED IN TRAYS.

**PCB NOTES:**

7. ALL HOLE DIAMETERS ARE FINISHED HOLE SIZE.

8. MOUNTING HOLES, WHERE APPLICABLE, ARE UNPLATED.

9  $\varnothing 1.151 \pm 0.025$  DRILLED HOLES PLATED WITH  
0.008 MIN SnPb OR Sn OVER 0.03  
TO 0.08 Cu PLATING TO ACHIEVE  
 $\varnothing 1.02 \pm .07$  HOLE.

10 "DIM XXX" TO BE DETERMINED BY THE CUSTOMER.

11 CONNECTOR KEEP-OUT ZONE.

12. FOR PRESS FIT APPLICATION USE FCI CAM TOOL 430169-XXX.

mat'l code				tolerances unless otherwise specified		CUSTOMER		FCI	
lfr	ecr no.	dr	date	linear	$0.X \pm 0.3$	COPY		www.fciconnect.com	
A					$0.XX \pm 0.13$	projection	title 24S		
				angles	$0.XXX \pm 0.051$		VERTICAL PF HEADER		
				dr	JULIA WANG 09/10/07	MM	product family	PwrBlade	code
				enrg	JEROME CHEN 09/10/07	←	size	dwg no	213
				chr	GARY HSIEH 09/10/07	→	A	51952-125	sheet
				appd	JOSEPH HSIA 09/10/07	scale			4 of 4
sheet index	revision sheet								



product family PwrBlade  
size A  
dwg no 51952-125  
code 213  
sheet 4 of 4

1 | 2

3 |

4

A

A

B

B

1 | 2

3 |

4

Pro/E

cage code 22526