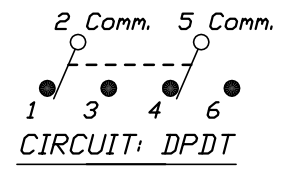
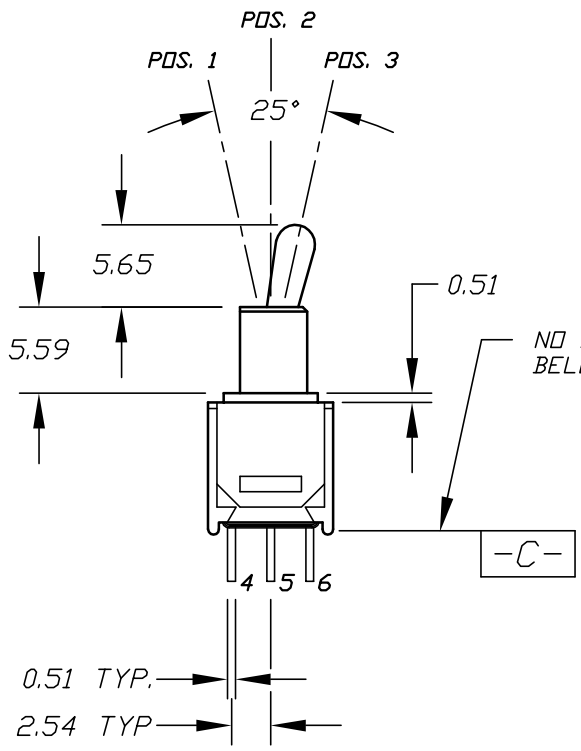
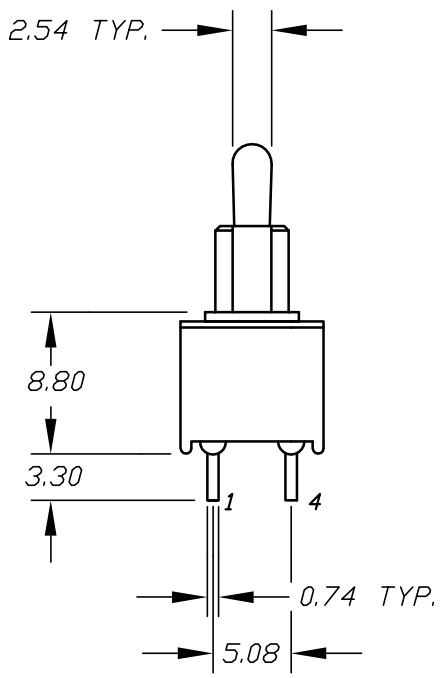


RECOMMEND P.C.B. HOLES



CIRCUIT: DPDT

CONTACT CONFIGURATION

SWITCH FUNCTION		
PDS. 1	PDS. 2	PDS. 3
ON	NONE	ON
2-3,5-6	OPEN	2-1,5-4

NOTES:

1. ALL DIMENSIONS IN MM
2. TERM. NOS. FOR REF ONLY
3. RATING: 3 Amps @120VAC or 28VDC; 1 Amp @250VAC

<p>E-SWITCH®</p> <p>TITLES</p> <p>200 MDP-1 T2 B2 M2 Q E</p>				SCALE	DATE	DR	DWG	REV
B	REVISED & REDRAWN							
REV.	DESCRIPTION	DATE	CHKD					
<p>THE INFORMATION CONTAINED IN THIS DOCUMENT IS PROPRIETARY TO E-SWITCH AND IS NOT TO BE COPIED OR TRANSFERRED</p>				TOLERANCES	0.0	±0.4	±0.25	