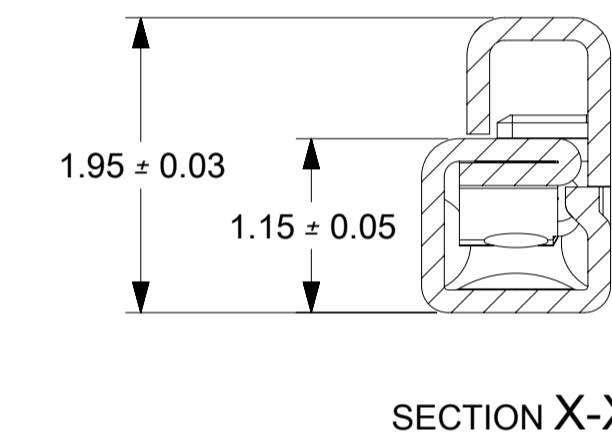
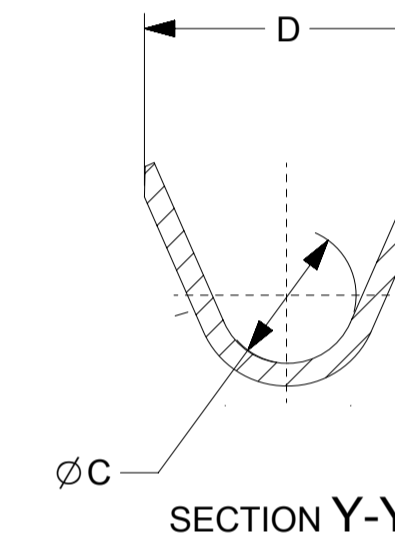
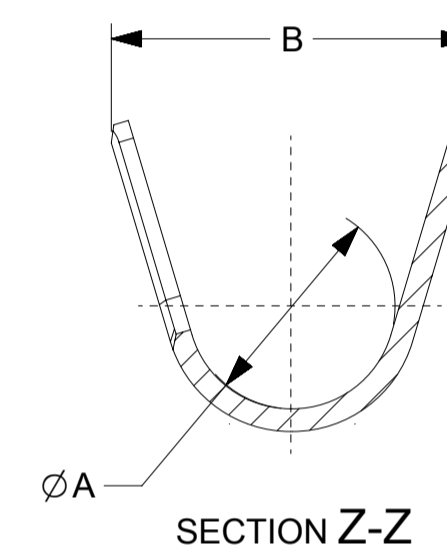
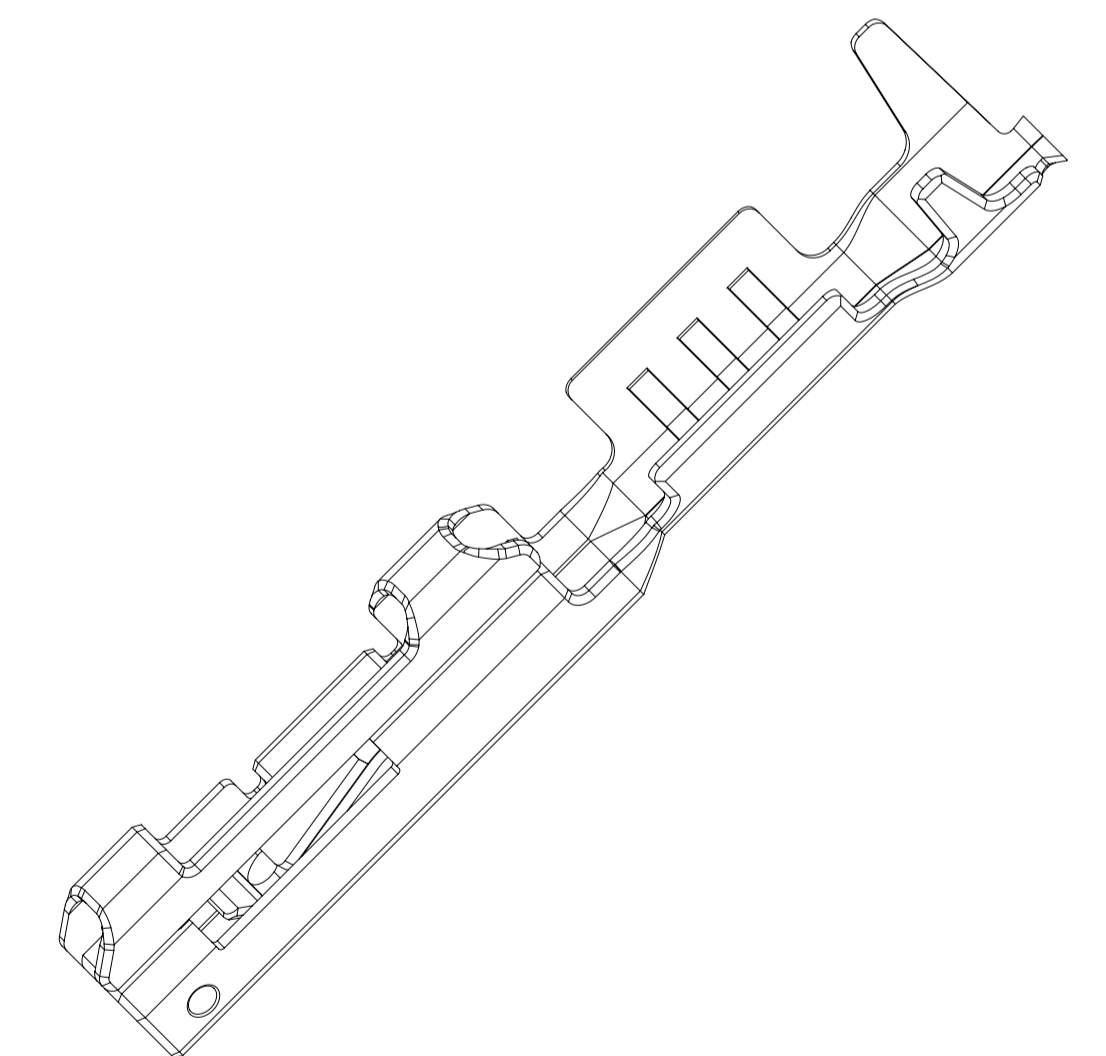


TABLE 1											
Part Number	Marking Type	Top Layer Plating Type	Grip Code	Wire Insulation OD - mm	Wire Size - mm ²	Pay Off Direction	Dimensions - mm				
							Dim A ± 0.10	Dim B ± 0.20	Dim C ± 0.10	Dim D	Dim E ± 0.05
34905-3443	LH	Ag	L	1.2-1.4	0.35	D	1.36	2.35	0.90	1.88 ± 0.20	0.18
34905-2443	L	Sn									
34905-3444	SH	Ag	S	0.95-1.05	0.13	D	0.82	1.90	0.68	1.30 ± 0.15	0.00
34905-2444	S	Sn									



NOTES: (UNLESS OTHERWISE SPECIFIED)

1. MATERIAL: COPPER ALLOY
2. PLATING: SEE TABLE 1
3. PACKAGING SPEC: PK-31301-319
4. CRIMPING SPEC: AS-34905-001
5. PROBING THE CONTACT INTERFACE OF THE TERMINAL OR AT ANY POINT ON THE TERMINAL BEAM IS NOT PERMITTED



THIS DRAWING CONTAINS INFORMATION THAT IS PROPRIETARY TO MOLEX ELECTRONIC TECHNOLOGIES, LLC AND SHOULD NOT BE USED WITHOUT WRITTEN PERMISSION											
QUALITY SYMBOLS	2017/02/21	2017/03/30	GENERAL TOLERANCES (UNLESS SPECIFIED)		DIMENSION UNITS	SCALE					
			ANGULAR TOL ± °		MM	20:1					
□ = 0 ▽ = 0 ▽ = 0 ▽ = 0 ▽ = 0 ▽ = 0 ▽ = 0 ▽ = 0 ▽ = 0 ▽ = 0	EC NO: 115118	DRWN: SJAZRAWI	CHKD: YLEPOTTIER	APPR: YLEPOTTIER	DRWN BY	DATE					
					4 PLACES ±	SJAZRAWI	2016/07/13	SERIES	MATERIAL NUMBER	CUSTOMER	
					3 PLACES ±	CHK'D BY	DATE	34905			
					2 PLACES ±	APPR BY	DATE	DOCUMENT NUMBER	DOC TYPE	DOC PART	SHEET NUMBER
					1 PLACE ±	YLEPOTTIER	2016/08/01	349050400	PSD	000	1 OF 1
					0 PLACES ±	DRAWING SIZE	THIRD ANGLE PROJECTION				
					DRAFT WHERE APPLICABLE MUST REMAIN WITHIN DIMENSIONS		A1				