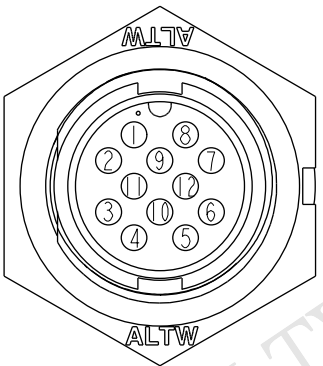
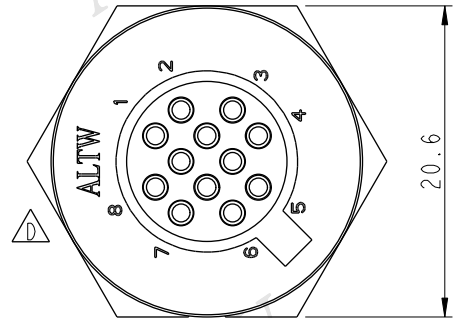
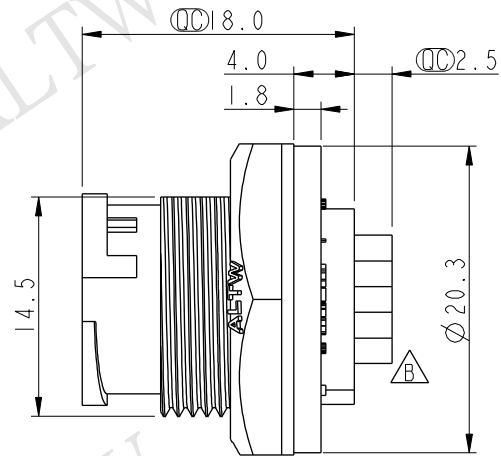
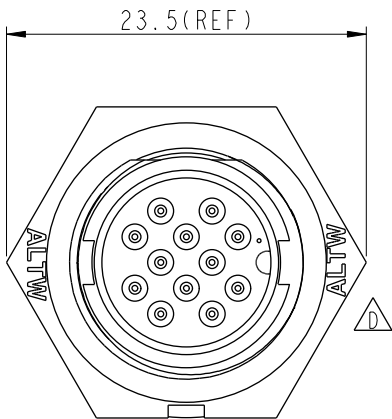


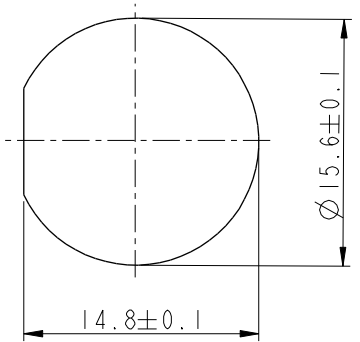
REV.	ECN NO.	DATE	SIGN	DESCRIPTION
B		2007/07/24	Jason	Change Pin Appearance
C	LEN-8B0416	2008/09/22	Shin	Add Note
D	LEN1530287	2014/12/18	Ruru	Change Logo

ALTW
CONFIDENTIAL
2014-12-18
R&D DEPT.

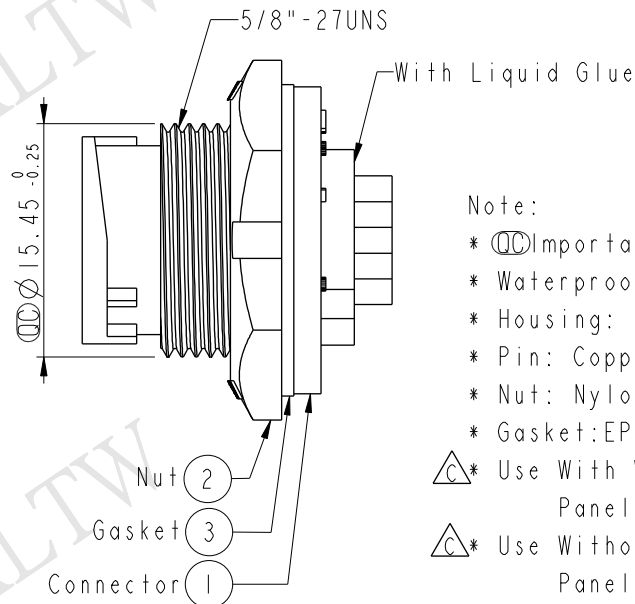
ALTW
DCC. DEPT.
CONFIDENTIAL
2015.03.20
ISSUED



Pin Assignments
Front View



Recommended Panel Cut-out



Note:

- * \varnothing Important Dimension To Check.
- * Waterproof Rate: IP67
- * Housing: Nylon+GF, Black
- * Pin: Copper Alloy, Gold Plated
- * Nut: Nylon+GF, Black
- * Gasket: EPDM, Black
- \triangle * Use With Waterproof Cap Or Dust Cap
Panel Thickness Max: 3.0mm
- \triangle * Use Without Waterproof Cap Or Dust Cap
Panel Thickness Max: 4.5mm

UNIT:mm		
TOLERANCE	.X ±0.25	
	.XX ±0.1	
	.XXX ±0.05	
ANGLES	±1°	

TITLE Standard Panel Lock 12Pin M Conn. M Pin			
SCALE 2:1	SIZE A4	SHEET 1 OF 1	
REV. D	WC-REV. A.2	\varnothing : Inspection item	

Amphenol LTW
安費諾亮泰企業股份有限公司

ITEM NO BU-12PMMS-LC7001	DRAWN BY Ruru	DATE 2014-12-18
DWG NO BU-12PMMS-LC7001	CHECKED BY Rita	DATE 2014-12-18
CUSTOMER ALTW	APPROVED BY Win	DATE 2014-12-18

THIS DOCUMENT IS SUBJECT TO CHANGE WITHOUT NOTICE. IT IS CONFIDENTIAL AND A PROPERTY OF AMPHENOL LTW. DISCLOSURE TO THIRD PARTY HAS TO BE AUTHORIZED BY AMPHENOL LTW.