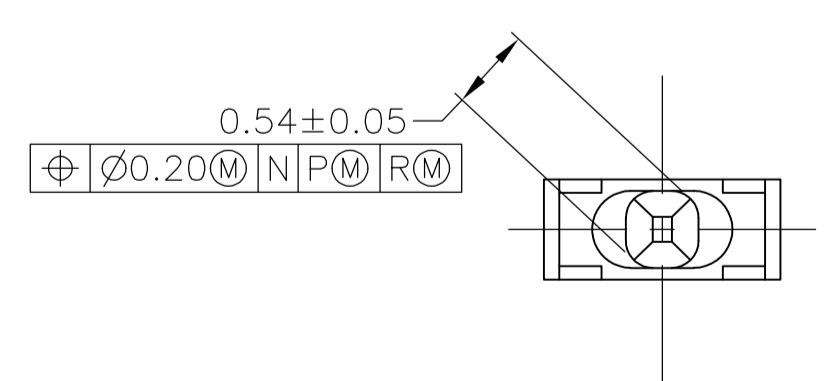


RECOMMENDED CIRCUIT PATTERN
 PER IPC-D300 TYPE II, CLASS C
 (COMPONENT SIDE)



VIEW Z-Z
 SCALE 20:1

- 1 HOUSING MATERIAL: LIQUID CRYSTAL POLYMER, NATURAL.
- 2 CONTACT MATERIAL: PHOSPHOR BRONZE.
- 3 CONTACT FINISH:(B)
 UNDERPLATE (ENTIRE CONTACT):
 0.00127 MIN NICKEL PER SAE-AMS-QQ-N-290
 ON MATING SURFACES:
 CONFORMS TO ALL TESTING SPECIFIED FOR TELCORDIA
 UNCONTROLLED ENVIRONMENT.
 ON LEADS:
 0.0006 MIN MATTE TIN PER ASTM B 545 OVER UNDERPLATE.
 LUBRICATION (MIN MATING SURFACES):
 SURFACE CONDITIONER AFTER PLATING.
- 4 PART MARKING, LOCATED APPROXIMATELY AS SHOWN.
- 5 DIMENSION APPLIES WHEN SEATED ON PRINTED CIRCUIT BOARD.

THIS DRAWING IS A CONTROLLED DOCUMENT.		DIN B MCMMASTER 150EC04	tyco Electronics	Tyco Electronics Corporation Harrisburg, Pa 17105-3608
DIMENSIONS: mm		CHK R WERTZ 150EC04	NAME R WERTZ 150EC04	PRODUCT SPEC 108-1441
TOLERANCES UNLESS OTHERWISE SPECIFIED: 0. PLC ± - 1. PLC ± - 2. PLC ± 0.13 3. PLC ± - 4. PLC ± - ANGLES ± -		APPROX 114-1075	APPLICATION SPEC 114-1075	RESTRICTED TO
MATERIAL 1 2 3	FINISH 3	WEIGHT -	SCALE 4:1	SHEET 1 OF 2
CUSTOMER DRAWING		DRAWING NO A1 00779	DRAWING NO C=5223610	REV B

LOC	DIST	REVISIONS			
P	LTR	DESCRIPTION	DATE	BY	APPRO
-	SEE SHEET 1				

MM	3	8.25	4.25
UU	3	5.75	13.60
HH	3	8.25	13.60
SS	3	8.00	13.60
L	3	6.50	15.60
G	3	5.75	15.60
C	3	5.00	15.60
M	3	6.50	17.00
D	3	5.00	17.00
PP	3	8.25	17.00
RR	3	7.00	17.00
H	3	5.75	17.00
Y	3	7.25	13.60
T	3	8.00	4.25
N	3	7.25	4.25
J	3	6.50	4.25
E	3	5.75	4.25
A	3	5.00	4.25
CONTACT LETTER		DIM Y	DIM Z

D	A	A	A	A	D		
C	E	A	J	C			
B	A	E	J	B			
A	A	A	J	A			
ROW	1	2	3	4	5	6	ROW
CONTACT LOAD CHART							
5223610-7							
PART NUMBER							

D	N	N	N	N	N	D	
C	J	J	J	J	J	C	
B	J	J	J	J	J	B	
A	J	J	J	J	J	A	
ROW	1	2	3	4	5	6	ROW
CONTACT LOAD CHART							
1-5223610-7							
PART NUMBER							

D	E	N	N	E	T	T	D
C	E	N	N	E	T	T	C
B	E	N	N	E	T	T	B
A	E	N	N	E	T	T	A
ROW	1	2	3	4	5	6	ROW
CONTACT LOAD CHART							
5-5223610-1							
PART NUMBER							

D	E	-	E	-	E	-	D
C	-	E	-	E	-	E	C
B	E	-	E	-	E	-	B
A	-	E	-	E	-	E	A
ROW	1	2	3	4	5	6	ROW
CONTACT LOAD CHART							
6-5223610-6							
PART NUMBER							

D	E	A	A	A	A	D	
C	E	A	A	A	A	C	
B	E	J	J	A	A	B	
A	E	J	J	A	A	A	
ROW	1	2	3	4	5	6	ROW
CONTACT LOAD CHART							
5223610-8 OBSOLETE							
PART NUMBER							

D	T	T	T	T	T	D	
C	E	E	E	E	E	C	
B	J	J	J	J	J	B	
A	J	J	J	J	J	A	
ROW	1	2	3	4	5	6	ROW
CONTACT LOAD CHART							
1-5223610-8 OBSOLETE							
PART NUMBER							

D	UU	X	X	UU	Y	D	
C	UU	X	X	UU	Y	C	
B	UU	X	X	UU	Y	B	
A	UU	X	X	UU	Y	A	
ROW	1	2	3	4	5	6	ROW
CONTACT LOAD CHART							
5-5223610-3 OBSOLETE							
PART NUMBER							

D	A	-	A	-	A	-	D
C	-	A	-	A	-	A	C
B	A	-	A	-	A	-	B
A	-	A	-	A	-	A	A
ROW	1	2	3	4	5	6	ROW
CONTACT LOAD CHART							
6-5223610-7							
PART NUMBER							

D	RR	RR	RR	RR	RR	D	
C	H	H	H	H	H	C	
B	H	H	H	H	H	B	
A	RR	RR	RR	RR	RR	A	
ROW	1	2	3	4	5	6	ROW
CONTACT LOAD CHART							
5223610-9							
PART NUMBER							

D	C	C	C	C	C	D	
C	G	G	G	G	G	C	
B	G	G	G	G	G	B	
A	L	L	L	L	L	A	
ROW	1	2	3	4	5	6	ROW
CONTACT LOAD CHART							
1-5223610-9 OBSOLETE							
PART NUMBER							

D	N	E	E	E	E	D	
C	N	E	E	E	E	C	
B	N	E	E	E	E	B	
A	N	E	E	E	E	A	
ROW	1	2	3	4	5	6	ROW
CONTACT LOAD CHART							
5-5223610-5							
PART NUMBER							

D	E	E	N	N	N	D	
C	E	E	N	N	N	C	
B	E	E	N	N	N	B	
A	E	E	N	N	N	A	
ROW	1	2	3	4	5	6	ROW
CONTACT LOAD CHART							
6-5223610-8							
PART NUMBER							

D	T	E	N	N	N	D	
C	T	J	N	N	N	C	
B	T	J	N	N	N	B	
A	T	J	N	N	N	A	
ROW	1	2	3	4	5	6	ROW
CONTACT LOAD CHART							
5223610-1 OBSOLETE							
PART NUMBER							

D	RR	RR	RR	RR	RR	D	
C	RR	RR	RR	RR	RR	C	
B	RR	RR	RR	RR	RR	B	
A	RR	RR	RR	RR	RR	A	
ROW	1	2	3	4	5	6	ROW
CONTACT LOAD CHART							
1-5223610-0 OBSOLETE							
PART NUMBER							

D	T	T	T	T	T	D	
C	E	E	E	E	E	C	
B	E	E	E	E	E	B	
A	J	J	J	J	J	A	
ROW	1	2	3	4	5	6	ROW
CONTACT LOAD CHART							
2-5223610-0							
PART NUMBER							

D	SS	UU	UU	UU	UU	D	
C	SS	UU	UU	UU	UU	C	
B	SS	UU	UU	UU	UU	B	
A	SS	UU	UU	UU	UU	A	
ROW	1	2	3	4	5	6	ROW
CONTACT LOAD CHART							
5-5223610-8 OBSOLETE							
PART NUMBER							

D	E	E	E	E	E	D	
C	E	E	E	E	E	C	
B	E	E	E	E	E	B	
A	E	E	E	E	E	A	
ROW	1	2	3	4	5	6	ROW
CONTACT LOAD CHART							
6-5223610-9							
PART NUMBER							

D	A	A	A	A	A	D	
C	A	A	A	A	A	C	
B	J	J	J	J	J	B	
A	A	A	A	A	A	A	
ROW	1	2	3	4	5	6	ROW
CONTACT LOAD CHART							
1-5223610-1 OBSOLETE							
PART NUMBER							

D	E	E	E	J	E	D	
C	E	E	E	J	E	C	
B	E	E	E	J	E	B	
A	E	E	E	J	E	A	
ROW	1	2	3	4	5	6	ROW
CONTACT LOAD CHART							
2-5223610-3							
PART NUMBER							

D	T	E	E	E	E	D	
C	T	E	E	E	E	C	
B	T	E	E	E	E	B	
A	T	E	E	E	E	A	
ROW	1	2	3	4	5	6	ROW
CONTACT LOAD CHART							
5-5223610-9							
PART NUMBER							

D	J	J	N	J	J	D	
C	J	J	N	J	J	C	
B	J	J	N	J	J	B	
A	J	J	N	J	J	A	
ROW	1	2	3	4	5	6	ROW
CONTACT LOAD CHART							
7-5223610-0							
PART NUMBER							

D	N	J	J	J	J	D	
C	N	J	J	J	J	C	
B	N	J	J	J	J	B	
A	N	J	J	J	J	A	
ROW	1	2	3	4	5	6	ROW
CONTACT LOAD CHART							
5223610-2 OBSOLETE							
PART NUMBER							

D	J	J	J	J	A	D	
C	J	J	J	J	T	C	
B	J	J	J	J	J	B	
A	J	J	J	J	T	A	
ROW	1	2	3	4	5	6	ROW
CONTACT LOAD CHART							
1-5223610-2 OBSOLETE							
PART NUMBER							

D	J	J	J	J	J	D	
C	J	J	J	J	J	C	
B	J	J	A	J	J	B	
A	J	J	J	J	J	A	
ROW	1	2	3	4	5	6	ROW
CONTACT LOAD CHART							
2-5223610-4							
PART NUMBER							

D	UU	UU	UU	UU	UU	D	
C	UU	UU	UU	UU	UU	C	
B	UU	UU	UU	UU	UU	B	
A	UU	UU	UU	UU	UU	A	
ROW	1	2	3	4	5	6	ROW
CONTACT LOAD CHART							
6-5223610-0 OBSOLETE							
PART NUMBER							

D	J	J	J	J	J	D	
C	N	N	N	N	N	C	
B	N	J	N	N	N	B	
A	J	N	N	J	J	A	
ROW	1	2	3	4	5	6	ROW
CONTACT LOAD CHART							
7-5223610-1							
PART NUMBER							

D	E	A	A	A	A	D	
C	E	A	A	A	A	C	
B	E	J	J	A	A	B	
A	E	J	J	A	A	A	
ROW	1	2	3	4	5	6	ROW
CONTACT LOAD CHART							
5223610-3							
PART NUMBER							

D	J	J	J	T	J	D	
C	J	J	J	J	J	C	
B	J	J	J	J	J	B	
A	J	J	J	J	J	A	
ROW	1	2	3	4	5	6	ROW
CONTACT LOAD CHART							
1-5223610-3 OBSOLETE							
PART NUMBER							

D	J	J	J	J	J	D	
C	J	J	J	J	T	C	
B	J	J	J	J	T	B	
A	A	J	J	T	T	A	
ROW	1	2	3	4	5	6	ROW
CONTACT LOAD CHART							
2-5223610-5							
PART NUMBER							

D	MM	MM	MM	MM	MM	D	
C	T	T	T	T	T	C	
B	T	T	T	T	T	B	
A	MM	MM	MM	MM	MM	A	
ROW	1	2	3	4	5	6	ROW
CONTACT LOAD CHART							
6-5223610-1							
PART NUMBER							

D	J	J	J	J	J	D	
C	J	J	J	J	J	C	
B	J	J	J	J	J	B	
A	E	E	E	E	E	A	
ROW	1	2	3	4	5	6	ROW
CONTACT LOAD CHART							
7-5223610-7							
PART NUMBER							

D	Y	Y	Y	Y	Y	D	
C	Y	Y	Y	Y	Y	C	
B	Y	Y	Y	Y	Y	B	
A	Y	Y	Y	Y	Y	A	
ROW	1	2	3	4	5	6	ROW
CONTACT LOAD CHART							
5223610-4 OBSOLETE							
PART NUMBER							

D	PP	PP	PP	PP	PP	D	
C	RR	RR	RR	RR	RR	C	
B	RR	RR	RR	RR	RR	B	
A	PP	PP	PP	PP	PP	A	
ROW	1	2	3	4	5	6	ROW
CONTACT LOAD CHART							
1-5223610-4							
PART NUMBER							

D	HH	HH	HH	HH	HH	D	
C	SS	SS	SS	SS	SS	C	
B	SS	SS	SS	SS	SS	B	
A	HH	HH	HH	HH	HH	A	
ROW	1	2	3	4	5	6	ROW
CONTACT LOAD CHART							
2-5223610-6							
PART NUMBER							

D	E	E	E	J	N	T	D
C	E	E	E	J	N	T	C
B	E	E	E	J	N	T	B
A	E	E	E	J	N	T	A
ROW	1	2	3	4	5	6	ROW
CONTACT LOAD CHART							
6-5223610-3							
PART NUMBER							

D	N	N	N	N	N	D	
C	J	J	J	J	J	C	
B	J	J	J	J	J	B	
A	N	N	N	N	N	A	
ROW	1	2	3	4	5	6	ROW
CONTACT LOAD CHART							
5223610-5 OBSOLETE							
PART NUMBER							

D	RR	RR
---	----	----