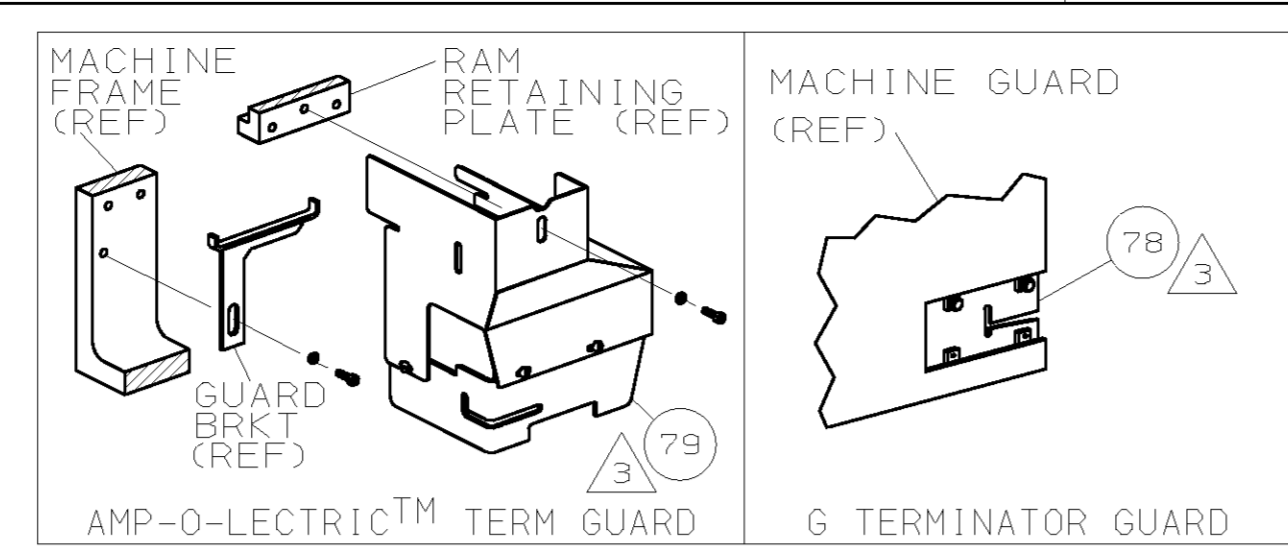
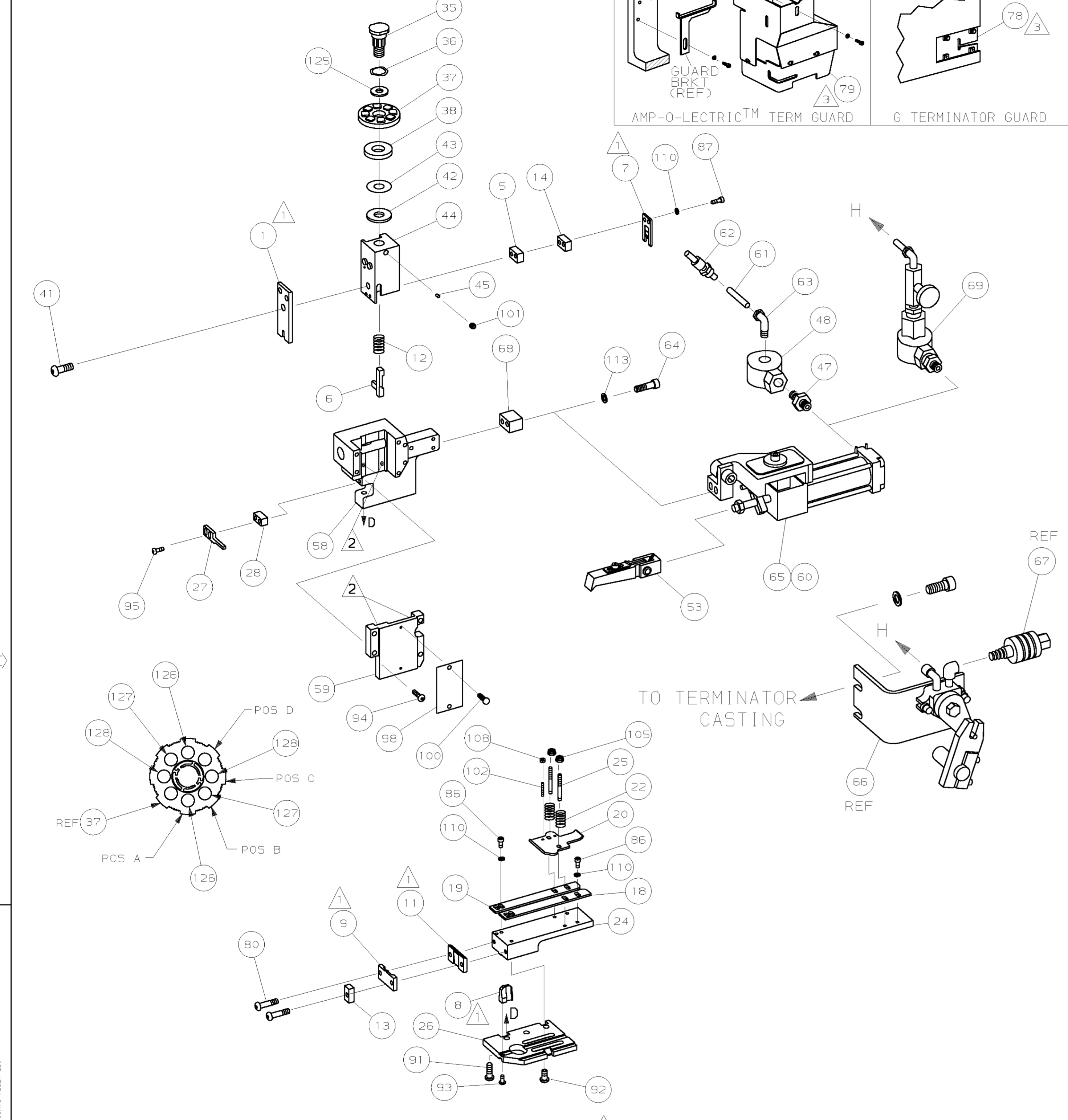


PART NUMBER	REV	FIRST USED
680359-1	D	122500-1
680359-2	C	565435-5



TERMINAL NAME: AMPLIVAR™ RING		62755		CRIMPING DATA	
PAD LTR	CRIMP HEIGHT	WIRE SIZE			
A	.087 ±.002 [2.21 ±0.05mm]	(2) 15			
B	.086 ±.002 [2.18 ±0.05mm]	12			
C	.078 ±.002 [1.98 ±0.05mm]	14			
D	NOT	USED			
CRIMP	SIZE	TYPE	RANGE		
WIRE	.180 [4.57mm]	F	12-14 OR (2) 15		
INSUL	-	-	-		

QTY	REV	U/M	DWG SIZE	PART NO	DESCRIPTION	ITEM NO
1	-	-	-	692655-5	AIR FEED VALVE ASSY	70
1	1	-	-	461690-3	SPACER, AIR FEED	69
REF	-	-	-	24042-2	VALVE, SHUT OFF	67
REF	-	-	-	692655-6	AIR FEED VALVE ASSY	66
1	-	-	-	1-460277-5	AIR FEED ASSY (2 INCH)	65
2	2	-	-	4-21000-3	SCR,SHC (10-32x.00)AIR ASSY	64
-	1	-	-	983427-6	ELBOW, SWIVEL 1/8 NPT - 1/4 T	63
-	1	-	-	23238-1	QUICK DISCONNECT	62
-	12.00	IN	-	27319-4	TUBING, POLY-FLO Ø.25	61
-	1	-	-	1-460277-9	AIR FEED ASSY (2 INCH)	60
1	1	-	-	454220-1	CAP, RAM	59
1	1	-	-	453736-1	HOUSING	58
-	-	-	-	-	-	57
-	-	-	-	-	-	56
-	-	-	-	-	-	55
-	-	-	-	-	-	54
1	1	-	-	460680-1	FEED FINGER ASSY	53
-	-	-	-	-	-	52
-	-	-	-	-	-	51
-	-	-	-	-	-	50
-	-	-	-	-	-	49
-	1	-	-	22374-7	VALVE, QUICK EXHAUST	48
-	1	-	-	22304-1	NIPPLE, HEX 1/8 NPT	47
-	-	-	-	-	-	46
1	1	-	-	690191-1	PLUG, NYLON	45
1	1	-	-	455674-1	RAM	44
1	1	-	-	690125-1	WASHER, LAMINATED	43
1	1	-	-	690124-4	WASHER, RAM	42
1	1	-	-	7-21002-9	BOLT, CRIMPER (5/16-24x1.00)	41
-	-	-	-	-	-	40
-	-	-	-	-	-	39
1	1	-	-	690223-2	SPACER, INSULATION DISC	38
1	1	-	-	354777-1	WIRE DISC, PLASTIC	37
1	1	-	-	22480-5	WASHER, SPRING	36
1	1	-	-	690212-1	POST, RAM	35
-	-	-	-	-	-	34
-	-	-	-	-	-	33
-	-	-	-	-	-	32
-	-	-	-	-	-	31
-	-	-	-	-	-	30
-	-	-	-	-	-	29
1	1	-	-	3-690451-2	SPACER, STRIPPER	28
1	1	-	-	240639-1	STRIPPER	27
1	1	-	-	455676-1	PLATE, BASE	26
2	2	-	-	22354-8	DRAG, STUD	25
1	1	-	-	455678-1	PLATE, STRIP GUIDE	24
-	-	-	-	-	-	23
2	2	-	-	4-22281-1	SPRING, DRAG	22
-	-	-	-	-	-	21
1	1	-	-	454177-1	DRAG, STOCK	20
1	1	-	-	1-458030-5	GUIDE, STRIP (REAR)	19
1	1	-	-	1-458031-5	GUIDE, STRIP (FRONT)	18
-	-	-	-	-	-	17
-	-	-	-	-	-	16
-	-	-	-	-	-	15
1	1	-	-	6-240641-8	SPACER, SLUG BLADE	14
1	1	-	-	1-690481-0	SPACER, HOLD DOWN	13
1	1	-	-	23846-1	SPRING, HOLD DOWN	12
1	1	-	-	240644-1	PLATE, REAR SHEAR	11
-	-	-	-	-	-	10
1	1	-	-	690482-5	PLATE, FRONT SHEAR	9
1	1	-	-	7-240654-2	ANVIL	8
1	1	-	-	690474-5	BLADE, SLUG	7
1	1	-	-	1-455892-7	HOLD DOWN, TERMINAL	6
1	1	-	-	240641-4	SPACER, SLUG BLADE	5
-	-	-	-	-	-	4
-	-	-	-	-	-	3
-	-	-	-	-	-	2
1	1	-	-	456428-3	CRIMPER, WIRE	1



- ① RECOMMENDED SPARE PARTS.
- ② GREASE LIGHTLY.
- ③ GUARD MUST BE IN PLACE WHEN OPERATING APPLICATOR IN A BENCH MACHINE.
- ④ SEE DRAWING FOR COMPONENTS

QTY	REV	U/M	DWG SIZE	PART NO	DESCRIPTION	ITEM NO
2	2	-	-	6-354778-0	PIN, WIRE DISC (.2795)C	129
2	2	-	-	4-354778-4	PIN, WIRE DISC (.2715)B	127
2	2	-	-	4-354778-5	PIN, WIRE DISC (.2720)A	126
1	1	-	-	986950-1	WASHER, FLAT PRECISION	125
1	1	-	-	217238-1	GENERAL INSTRUCTION PACKAGE	124
1	1	-	-	4088039	EF APPL INST 408-8039	123
-	-	-	-	-	-	122
-	-	-	-	-	-	121
-	-	-	-	-	-	120
-	-	-	-	-	-	119
-	-	-	-	-	-	118
-	-	-	-	-	-	117
-	-	-	-	-	-	116
-	-	-	-	-	-	115
-	-	-	-	-	-	114
2	2	-	-	21024-5	WASHER, LOCK (#10) AIR ASSY	113
-	-	-	-	-	-	112
-	-	-	-	-	-	111
4	4	-	-	21024-4	WASHER, LOCK (NO.8) SHEAR BL	110
-	-	-	-	-	-	109
2	2	-	-	21018-4	NUT, HEX (4-40) DRAG	108
-	-	-	-	-	-	107
-	-	-	-	-	-	106
2	2	-	-	21022-2	NUT, HEX SL (8-32) DRAG STUD	105
-	-	-	-	-	-	104
-	-	-	-	-	-	103
2	2	-	-	2-21006-6	SCR, SKT SET (4-40x.62) DRAG	102
1	1	-	-	21009-2	SCR, SKT SET (1/4-20x.25) RAM	101
2	2	-	-	21017-2	SCR, DRIVE (#2x.19) ID PLATE	100
-	-	-	-	-	-	99
1	1	-	-	461264-1	PLATE, IDENTIFICATION	98
-	-	-	-	-	-	97
-	-	-	-	-	-	96
2	2	-	-	2-21002-2	SCR, BHC (8-32x.50) STRIPPER	95
4	4	-	-	2-21002-9	SCR, BHC (10-32x.75) CAP	94
1	1	-	-	22733-8	SCR, BHC (8-32x.38 LW) ANVIL	93
4	4	-	-	3-21002-3	SCR, BHC (1/4-20x.50) ST 6D PL	92
3	3	-	-	2-22733-8	SCR, BHC (1/4-20x.62) H5G	91
-	-	-	-	-	-	90
-	-	-	-	-	-	89
-	-	-	-	-	-	88
2	2	-	-	2-21000-9	SCR, SHC (8-32x.75) SLUG BLADE	87
4	4	-	-	2-21000-6	SCR, SHC (8-32x.38) STRIP GUIDE	86
-	-	-	-	-	-	85
-	-	-	-	-	-	84
-	-	-	-	-	-	83
-	-	-	-	-	-	82
-	-	-	-	-	-	81
2	2	-	-	3-21002-0	SCR, BHC (10-32x.88) SHEAR PL	80
1	-	-	-	455750-8	GUARD ASSY	79
-	REF	-	-	679532-1	INSERT, GUARD	78
-	-	-	-	-	-	77
-	-	-	-	-	-	76
-	-	-	-	-	-	75
-	-	-	-	-	-	74
-	-	-	-	-	-	73
-	-	-	-	-	-	72
-	-	-	-	-	-	71

QTY	REV	U/M	DWG SIZE	PART NO	DESCRIPTION	ITEM NO
-2	-1	-	-	-	-	-