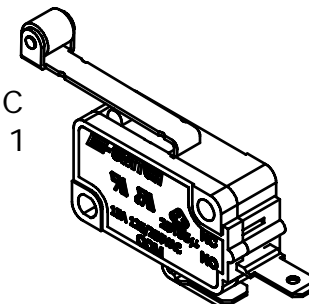
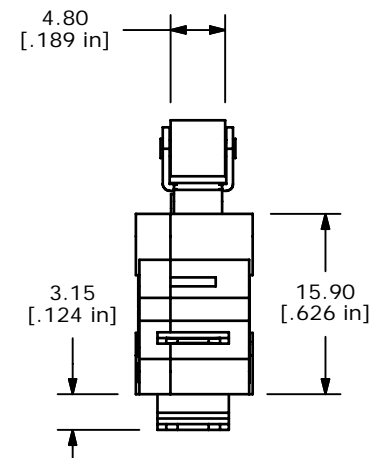
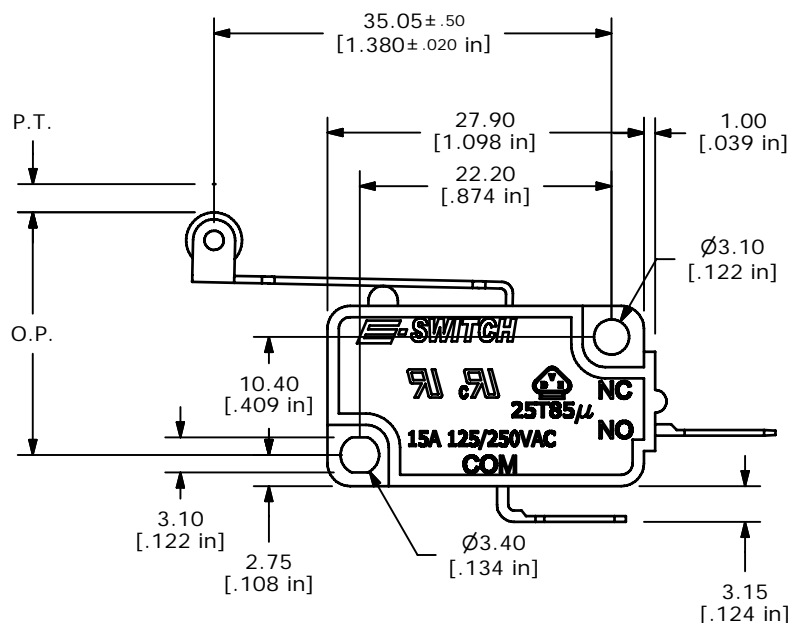
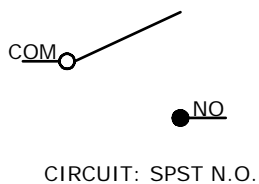


ISOMETRIC  
SCALE 1 : 1



| O.P. (MM)  | P.T. (MM) |
|------------|-----------|
| 20.7 ± 1.5 | 5.5 MAX.  |

O.P. = OPERATING POINT  
P.T. = PRE-TRAVEL



- NOTES:
- ALL DIMENSIONS IN MM [INCH]
  - GENERAL TOLERANCE: X.X ± 0.4  
X.XX ± 0.25
  - RATING: .4VA AT 20VAC/VDC MAX
  - OPERATING FORCE: 120 ± 40 GRAMS
  - OPERATING TEMP: -25°C TO 85°C
  - ELECTRICAL LIFE: 50,000 CYCLES MIN.
  - MECHANICAL LIFE: 1,000,000 CYCLES TYP.
  - INSULATION RESISTANCE: 100 MEGA-OHMS MIN.
  - DIELECTRIC STRENGTH: 1500VAC 1 MINUTE (INITIAL VALUE)
  - CONTACT RESISTANCE: 100 MILLI-OHMS MAX.
  - ▲ DENOTES CRITICAL PARAMETER.
  - 2002/95/EC (ROHS) COMPLIANT



|     |        |                        |         |    |
|-----|--------|------------------------|---------|----|
| A   | 20667  | RELEASE FOR PRODUCTION | 7/18/12 | rc |
| REV | PCR NO | DESCRIPTION            | DATE    | BY |

TITLE LS085R106F120C1C

THE INFORMATION CONTAINED IN THIS DOCUMENT IS PROPRIETARY TO E-SWITCH AND IS NOT TO BE COPIED OR TRANSFERRED

|       |           |    |         |     |
|-------|-----------|----|---------|-----|
| SCALE | DATE      | DR | DWG     | REV |
| 1.5:1 | 7/18/2012 | rc | Q950102 | A   |