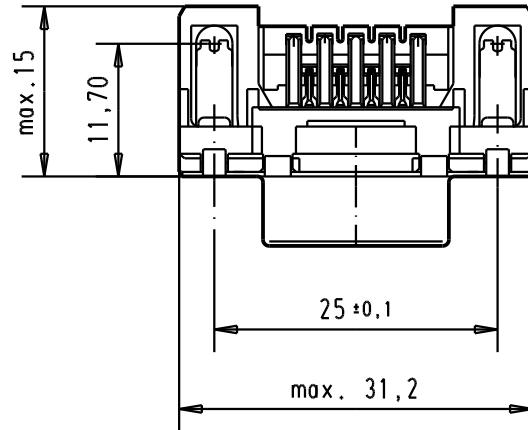
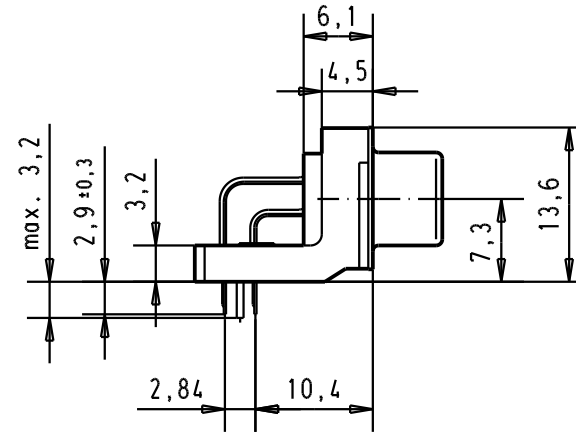
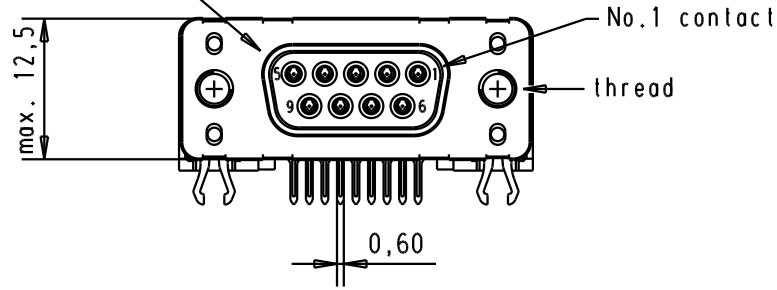
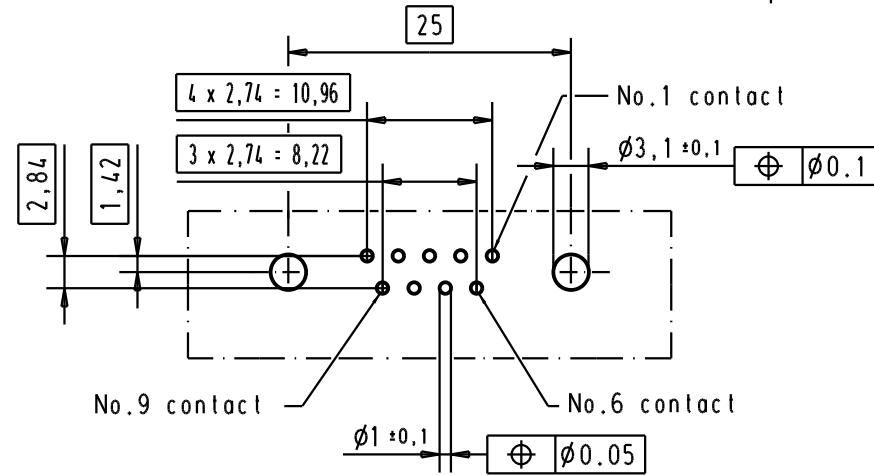


5 4 3 2 1

Mating face according to : MIL-C-24308 / DIN 41652 / CECC 75301-802



PCB layout hole component side



Connector retention and insertion forces on the PCB = 25 / 80 newtons

A

09 66 153 3611	M 3	1					Dat.	Name	<p>All Dim. in mm Orig. Size DIN A 4</p>	D-Sub 09 poles standard angle female, solder pin with nut and grounding board lock.	Maßstab/ Scale 1.5:1
09 66 153 6611	M 3	2				Detail.	20/nov/00	jfb			
09 66 153 7611	M 3	3				Insp.					
09 66 153 3612	4-40 UNC	1	31892	05/05/04	JH	Stand.					
09 66 153 6612	4-40 UNC	2	31084	04/SEP/02	YT	HARTING EURL F-95972 Paris				TB 0966153x61x	Blatt/ Page 2
09 66 153 7612	4-40 UNC	3	27957	20/nov/00	jfb						
Part number	Screw lock thread	Performance level	Mod.	Dat.	Name				Sub.		