

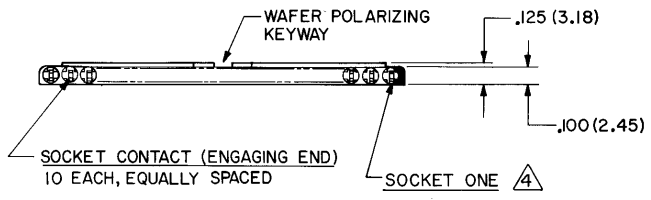
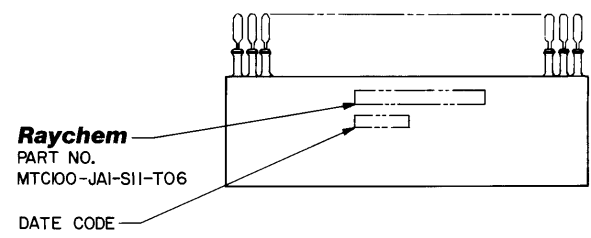
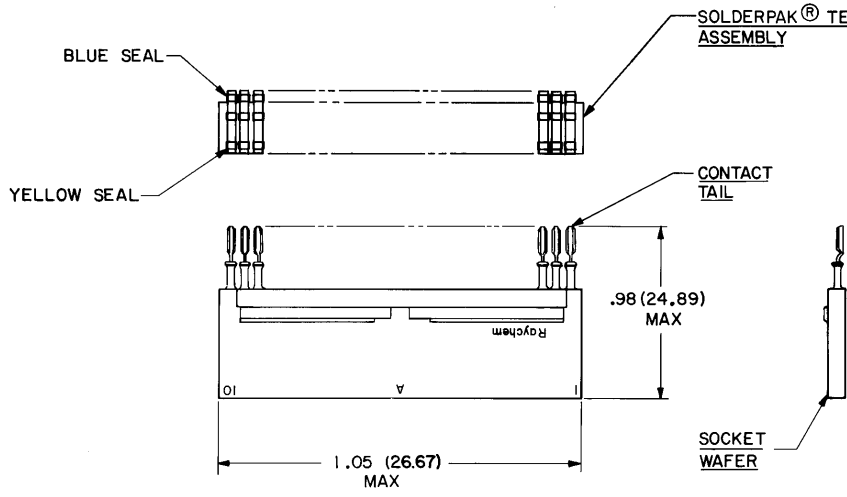
4

3

2

1

REVISIONS				
ZONE	LTR	DESCRIPTION	DATE	APPROVED
—	A	CHG'D PER DCO* T-02582	W.J.J. 4-23-81	<i>[Signature]</i>



⑤ WEIGHT (MAX.) : $\frac{\text{LBS.}}{.0054} \mid \frac{\text{GRAMS}}{2.46}$

④ SOCKET ONE: SOCKET NUMBER ONE MARKED IN CONTRASTING COLOR.

3. WAFER : WAFER MEETS THE REQUIREMENTS OF RAYCHEM SPECIFICATION D-6012.
2. FINISH :
 2-A SOCKET WAFER ; FINISH TO BE AS MOLDED.
 2-B SOCKET CONTACT ; GOLD PLATE PER MIL-G-45204 CLASS I.
 (ENGAGING END)
 2-C CONTACT TAIL ; COATED WITH SOLDER PER QQ-S-571.
1. MATERIAL :
 1-A SOCKET WAFER ; HIGH GRADE POLYARYLENE THERMO-PLASTIC.
 1-B SOCKET CONTACT ; COPPER ALLOY PER QQ-B-750 (A).
 1-C SOLDERPAK® ; REFER TO RAYCHEM DWG. CTA-0035
TERMINATORS ASSY ; FOR DATA.

NOTES

If this document is printed it becomes uncontrolled.
 Check with the web for latest revision.

DO NOT SCALE THIS DRAWING

SPECIFICATION CONTROL DRAWING © Raychem Corporation 1981

UNLESS OTHERWISE SPECIFIED DIMENSIONS ARE IN INCHES BRACKETED DIMENSIONS () ARE METRIC AND TOLERANCES ARE: .XXX: ± .005 (0.13 M.M.) .XX: ± .02 (0.51 M.M.) Δ: ± —	DRAWN	W.V.J.	1-15-81	Raychem <small>RAYCHEM CORPORATION 300 CONSTITUTION DR. MENLO PARK, CALIFORNIA 94025</small> TITLE KIT, 1" SOCKET WAFER "A" WITH SOLDERPAK® TERMINATORS, FOR ROUND WIRE (20-26AWG), 125 °C TEMPERATURE RATING MTC 100 SERIES
	CHECKED			
	APPROVED	<i>[Signature]</i>		
	APPROVED	<i>[Signature]</i>	2-6-81	
				SIZE C CODE IDENT NO. 06090 DWG. NO. MTC100-JAI-S11-T06 WEIGHT ⑤ SHEET 1 OF 1