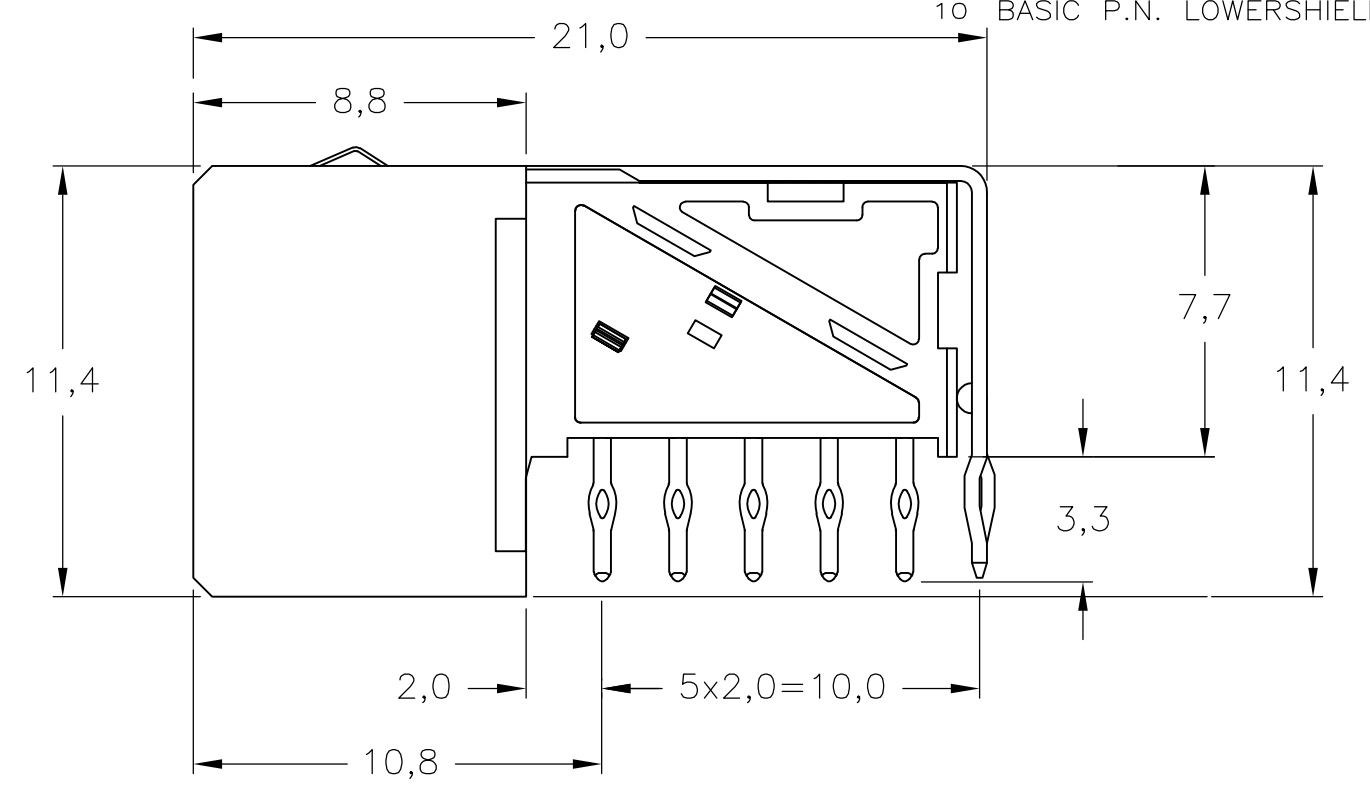
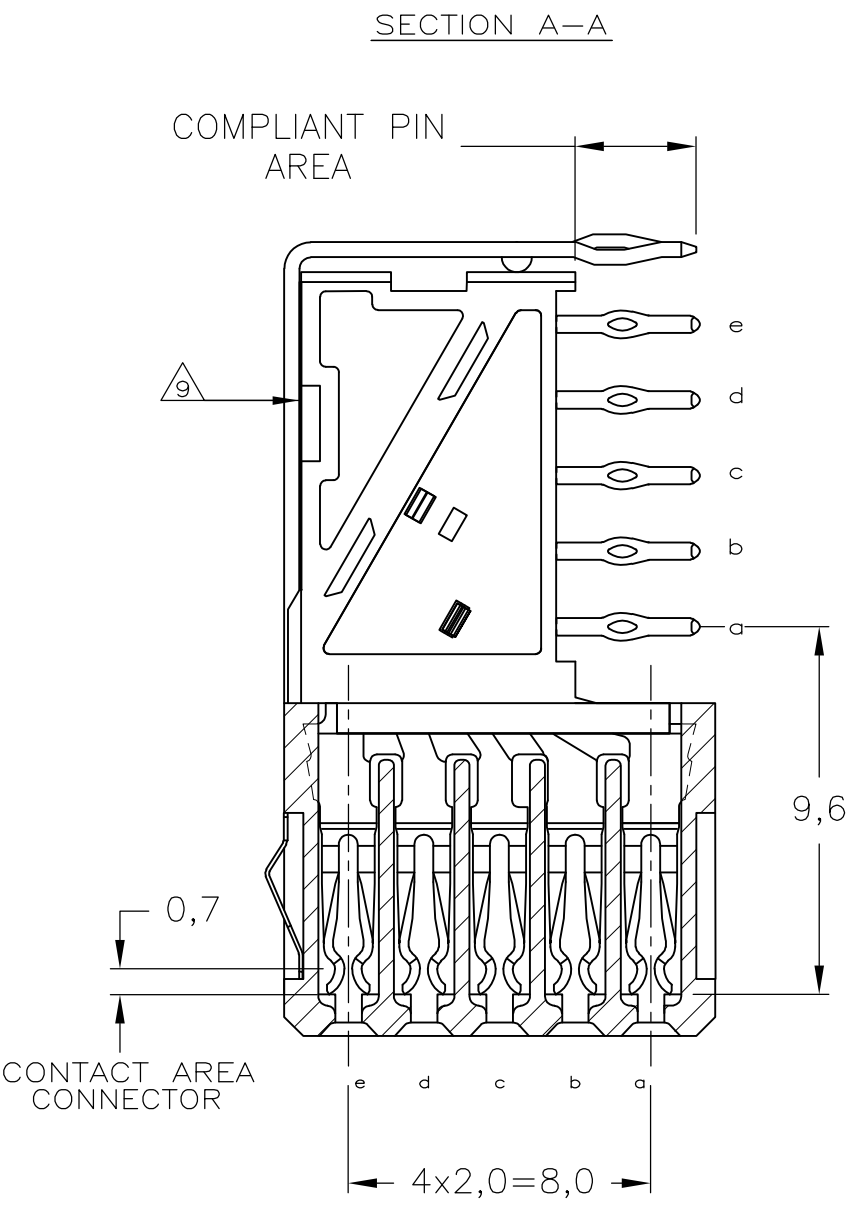
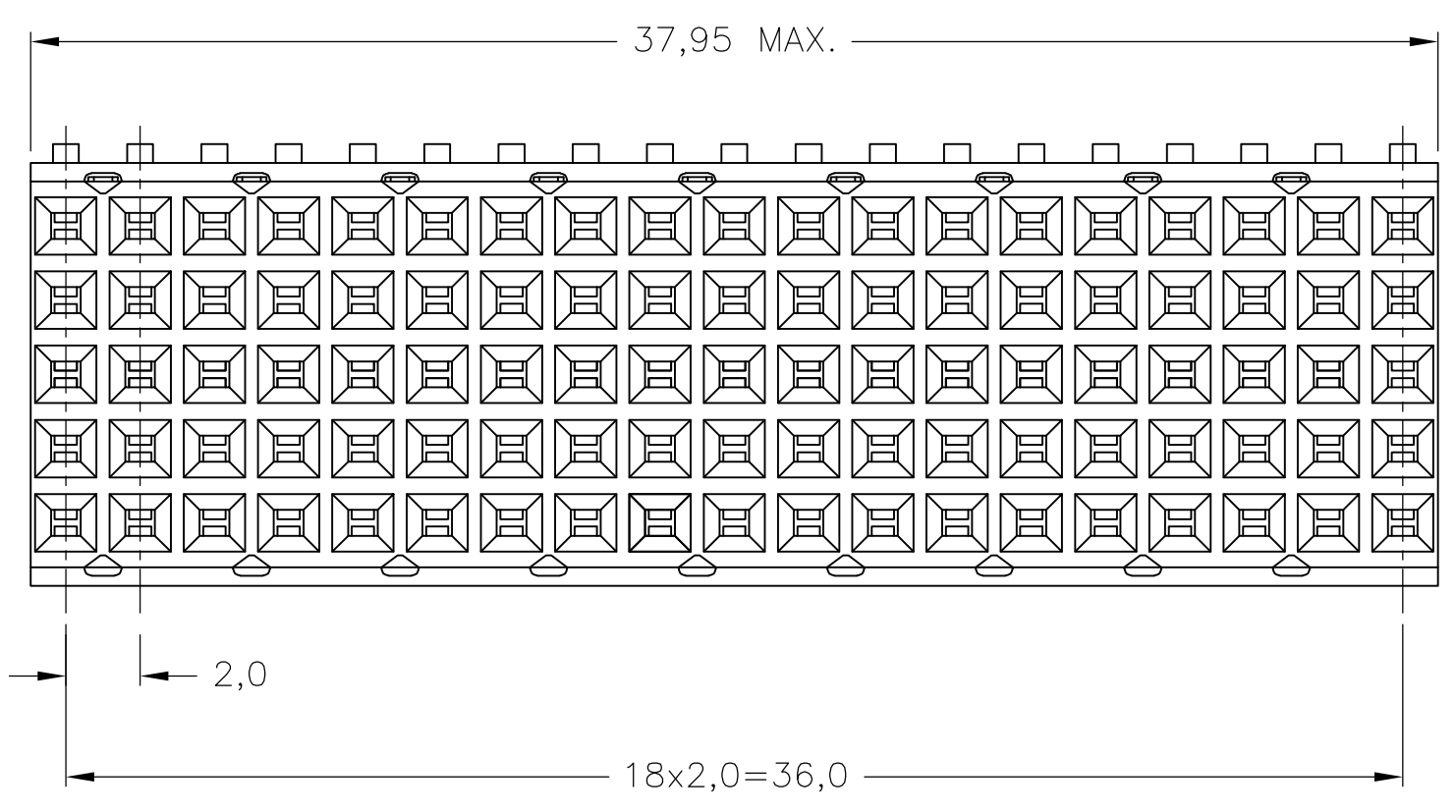
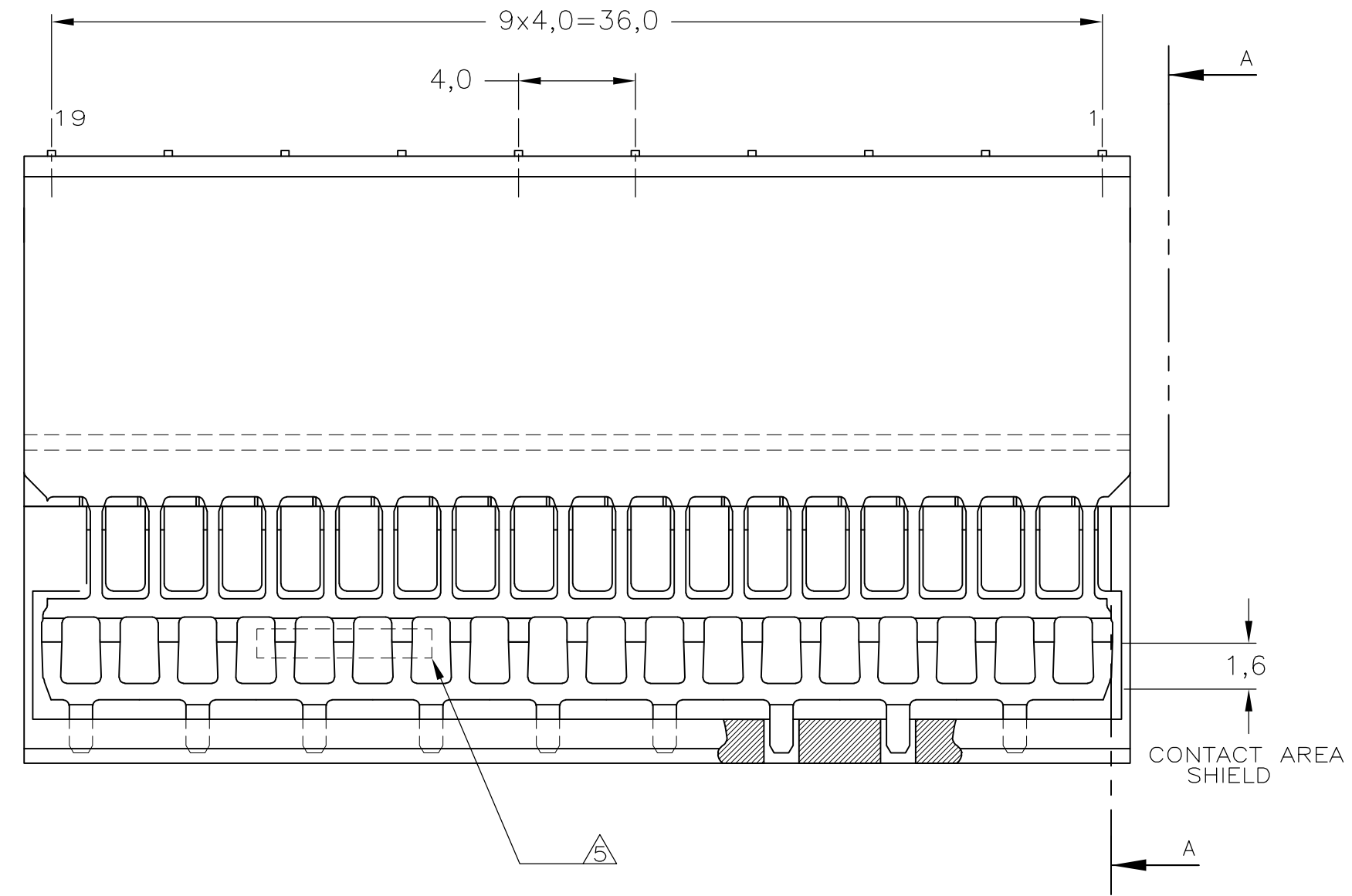


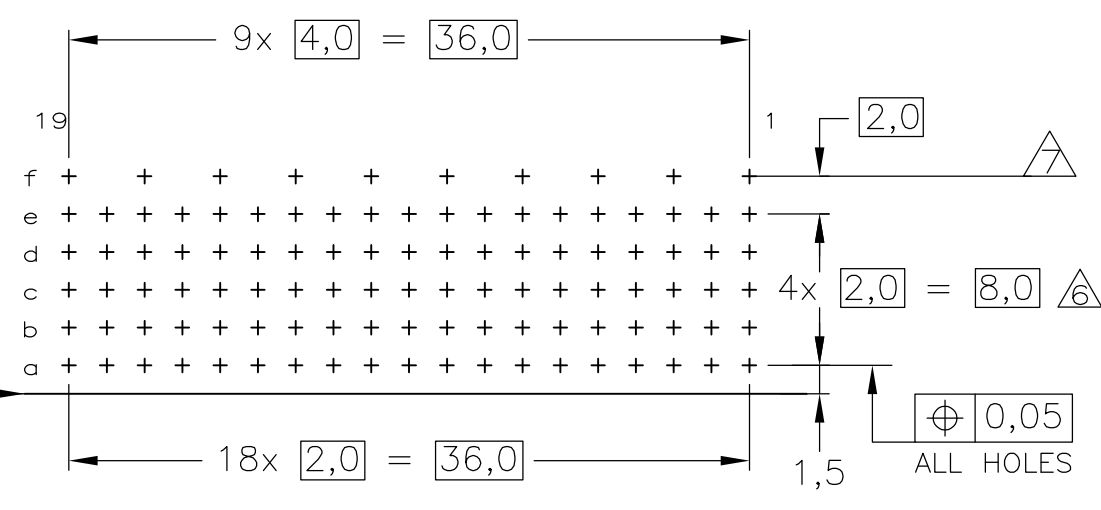
THIS DRAWING IS UNPUBLISHED. RELEASED FOR PUBLICATION
 © COPYRIGHT BY TYCO ELECTRONICS CORPORATION. ALL RIGHTS RESERVED.

LOC	DIST	REVISIONS					
		P	LTR	DESCRIPTION	DATE	DWN	APVD
H	-		A1	ECR-07-024984	19OCT2007	JvH	JB
			B	ECR-10-018652	10SEP10	SW	MQW
			C	ECO-11-024491	13DEC11	SY	MQW



- NOTES:
- 1 PLATING CONNECTOR: CONTACT AREA: 0,76µm Au MIN. OVER 1,27 µm Ni MIN. COMPLIANT PIN SECTION: 0,5µm Sn MIN. OVER 1,27 µm Ni MIN.
 - 2 PLATING CONNECTOR: CONTACT AREA: 1,27µm Au MIN. OVER 1,27 µm Ni MIN. COMPLIANT PIN SECTION: 0,5µm Sn MIN. OVER 1,27 µm Ni MIN.
 - 3 PLATING SHIELD: CONTACT AREA: 0,76 µm Au MIN. COMPLIANT PIN SECTION: 0,5 µm Sn MIN. REMAINDER : Ni
 - 4 MATERIAL CONTACTS; PHOSPHORBRONZE MATERIAL HOUSING; GLASSFILLED POLYESTER (GRAY)
 - 5 ASSEMBLY PRINTED WITH P/N AND DATECODE THE MARKING CAN APPEAR ON THE FRONT SIDE OR BACK SIDE.
 - 6 HOLE PATTERN FOR FEMALE CONNECTOR TYPE B-19 COLUMNS 95 PLATED-THROUGH HOLES AT 2x2mm SQUARE GRID
 - 7 ROW "f" 10 PLATED THROUGH HOLES FOR UPPERSHIELD
 - 8 CONNECTOR & SHIELD LUBRICATED WITH BELLCORE APPROVED LUBRICANT, TECHNICAL REFERENCE TR-NWT-001217 ISSUE 1, SEPT. 1992. CONNECTOR TESTED AND QUALIFIED AGAINST BELLCORE QUALITY LEVEL III, CENTRAL OFFICE APPLICATIONS
 - 9 SHIELD MOUNTED ON CONNECTOR WITH DOUBLE SIDED ADHESIVE TAPE OR ADHESIVE.
- 10 BASIC P.N. LOWERSHIELD: 5352029

COMPONENT SIDE AS SHOWN
 RECOMMENDED PCB-HOLE LAY-OUT
 SCALE 2,5:1



P.C.B. HOLE DIM. COMPLIANT PIN
 FOR DETAILS SEE
 APPLICATION SPECIFICATION

THIS DRAWING IS A CONTROLLED DOCUMENT.		DWN	J.van Hoek	23AUG2007	Tyco Electronics Corporation 's-Hertogenbosch,5222AR-32		
DIMENSIONS: mm		CHK	B.Mooij	23AUG2007	NAME		
TOLERANCES UNLESS OTHERWISE SPECIFIED: ±0.2		APVD	J.Broeksteeg	23AUG2007	Z-PACK 2mm HM TYPE B - 19 COLUMNS PRE-SHIELDED RECEPTACLE		
MATERIAL		PRODUCT SPEC	108-19082		SIZE	A2	RESTRICTED TO
		APPLICATION SPEC	114-19029		CAGE CODE	00779	
		WEIGHT	-		DRAWING NO	C=1857998	
		CUSTOMER DRAWING			SCALE	5:1	SHEET 1 OF 1
					REV	C	