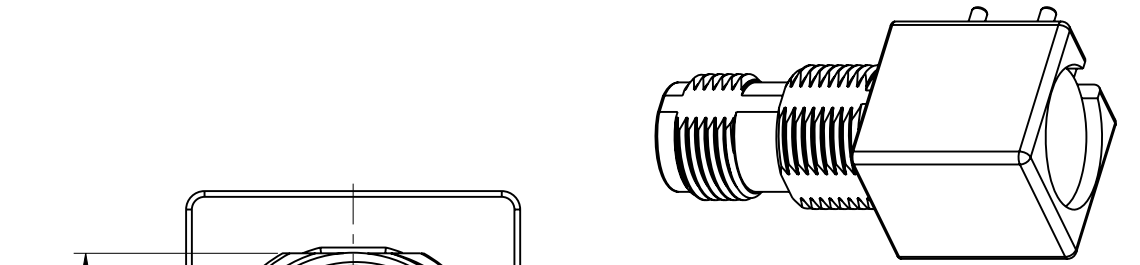
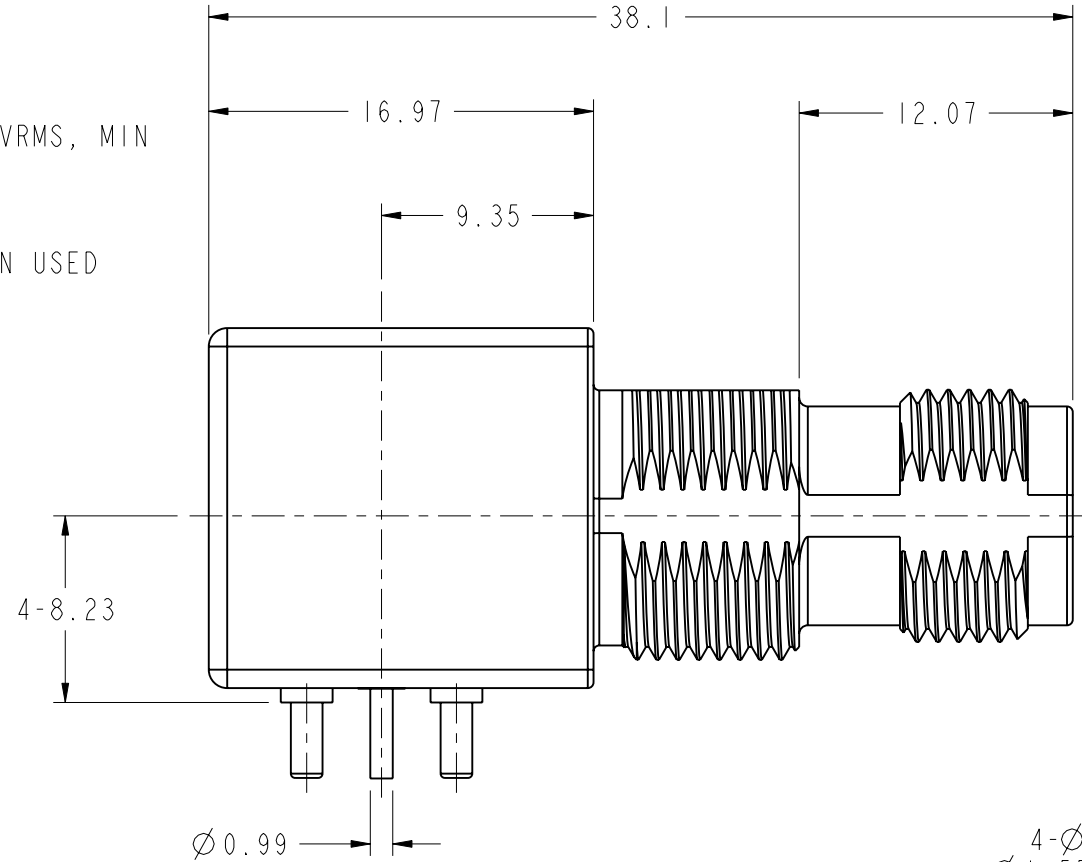


- NOTES:
- MATERIALS AND FINISHS(PLATING THICKNESS IN MICRO-INCHES):
 BODY-ZINC DIECAST, NICKEL PLATING
 CONTACT-BERYLLIUM COPPER,GOLD PLATING
 INSULATOR-PTFE & PBT
 - ELECTRICAL:
 A.IMPEDANCE:50 OHM
 B.FREQUENCY RANGE: DC 0-11GHz
 C.VSWR(RETURN LOSS):1.5MAX.
 D.DIELECTRIC WITHSTANDING VOLTAGE:1500 VRMS, MIN
 - MECHANICAL:
 A.DURABILITY: 500 CYCLES MIN.
 B.TEMPERATURE RANGE:-40°C TO +155°C
 - THE LEGS ARE TIN DIPPED AND LEAD FREE TIN USED
 - MAX.PCB PANEL THICKNESS=2.54MM

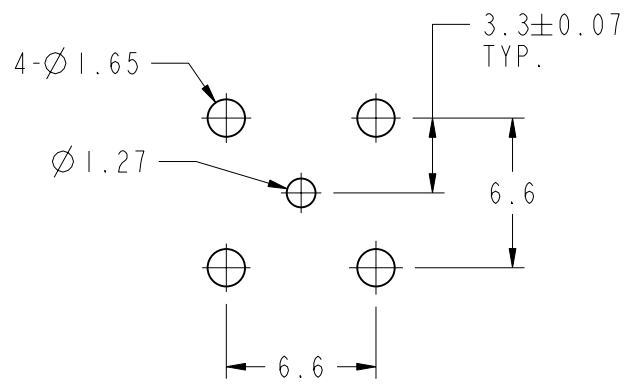
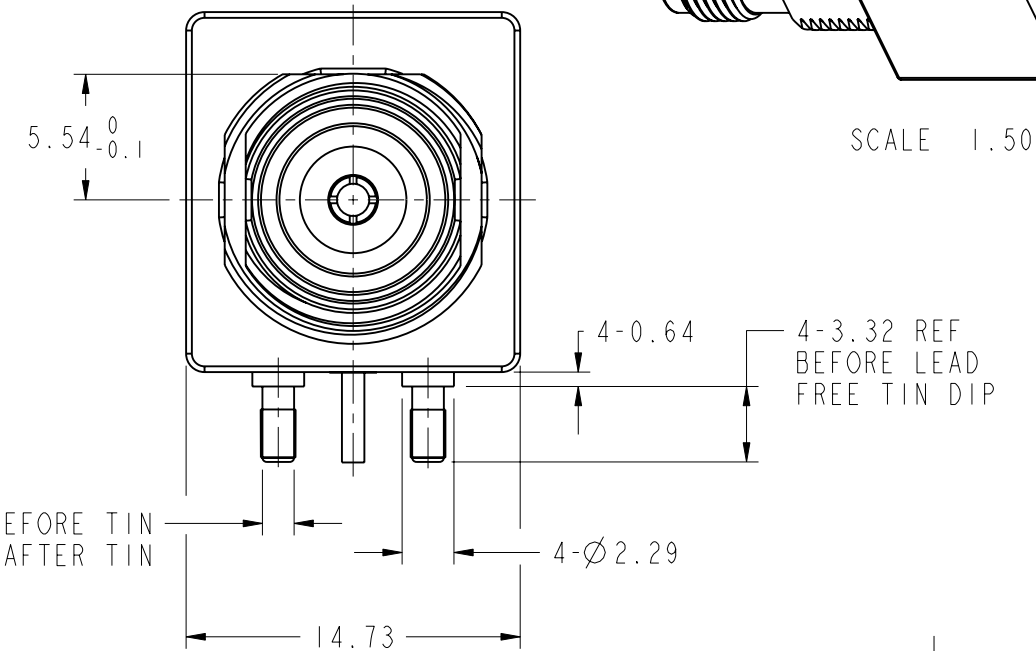
THIRD ANGLE PROJ.

REVISIONS

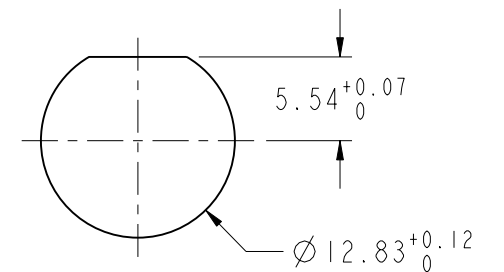
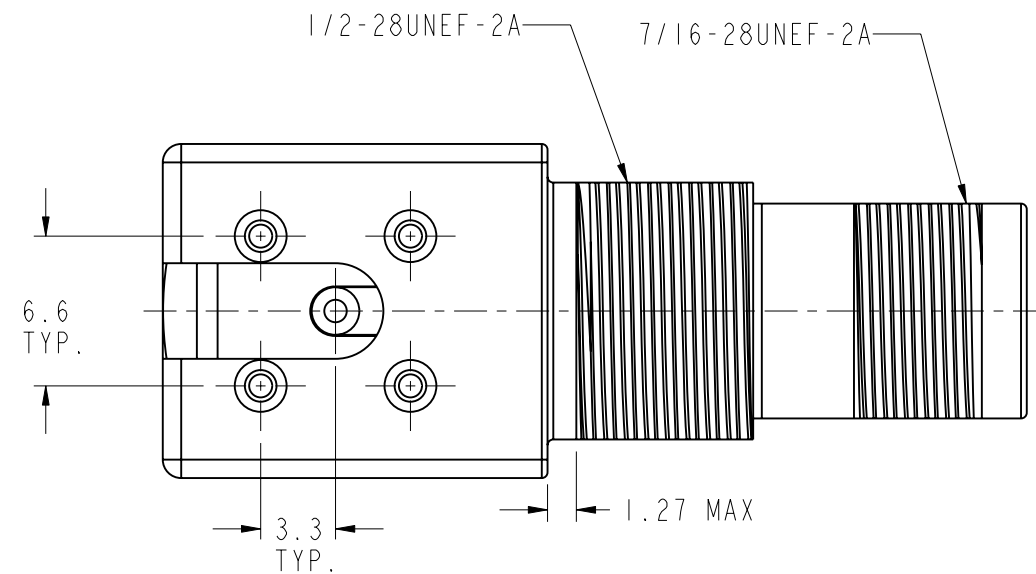
REV	DESCRIPTION	DATE	ECO	APPR
A	RELEASE TO MFG.	02-Jun-08	46532	MZ
B	BODY CHANGE WITH REAL P/N.	06-Jul-11	--	SCOTT
C	UPDATE NOTE 1 INSULATOR MATERIAL\RD-DMI3062701S2	09-Jul-13	--	HARRY
D	ADD DANBURY NUMBER 31-6294\RD-DMI4073001J9	22-Sep-14	50129	SH



SCALE 1.500



RECOMMENDED
PCB MOUNTING HOLE



RECOMMENDED
MOUNTING HOLE

CUSTOMER OUTLINE DRAWING
ALL OTHER SHEETS ARE FOR INTERNAL USE ONLY

UNLESS OTHERWISE SPECIFIED, DIMENSIONS ARE IN METRIC AND TOLERANCES ARE:
 <0.5mm ±0.05mm 0.5 - 6mm ±0.1mm 6 - 30mm ±0.2mm 30 - 120mm ±0.3mm ANGLES ±1°

NOTICE - These drawings, specifications, or other data (1) are, and remain the property of Amphenol corp. (2) must be returned upon request; and (3) are confidential and not to be disclosed to any person other than those to whom they are given by Amphenol Corp. the furnishing of these drawings, specifications, or other data by Amphenol Corp., or to any other person to anyone for any purpose is not to be regarded by implication or otherwise in any manner licensing, granting rights to permitting such holder or any other person to manufacture, use or sell any product, process or design, patented or otherwise, that may in any way be related to or disclosed by said drawings, specifications, or other data.

MATERIAL	SEE NOTE
REFERENCE AND CONFIGURATION LEVEL:	
FINISH	

DRAWN	JONA	DATE	12-Aug-14
ENGINEER	GISSY	DATE	02-Jun-08
APPROVED	SCOTT	DATE	12-Aug-14
CAD FILE	I:\TNC\T6252PI-006-NT3G-50		

TITLE		TNC R/A PCB BULKHEAD	
SCALE:	3.0:1.0	SHEET	2 OF 2
DWG SIZE	B	REV	D

Amphenol RF	
www.amphenolrf.com	
DRAWING NO.	T6252PI-006-NT3G-50
ITEM NO.	06252AAQ90NA5F
PART NO.	31-6294