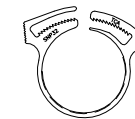
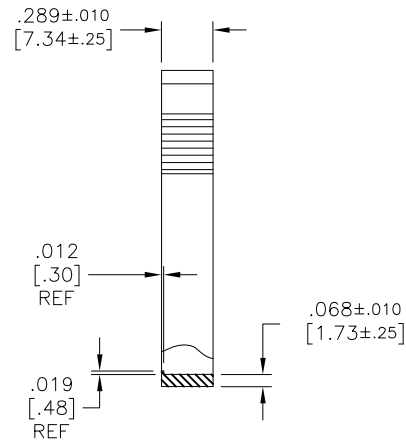
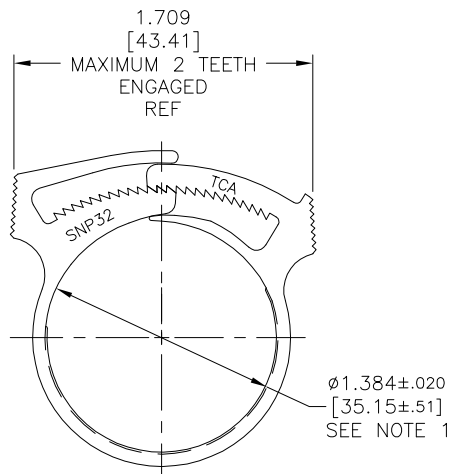


AS MOLDED



APPROX. FULL SIZE

REDUCED  
NO SCALE

**HellermannTyton**  
ALL PROPRIETARY RIGHTS IN THE SUBJECT MATTER SHOWN ON THIS DRAWING ARE EXCLUSIVE PROPERTY OF HELLERMANN TYTON

name	date	city, state

- NOTES**
- INSIDE DIAMETERS ARE MEASURED IN THREE PLACES SPACED 120° APART EXCLUDING .019[.48] HIGH RIB
  - DRAWING CREATED FROM SNP28 DATA BASE. USE FOR DIMENSIONAL INFO. ONLY.
  - 26 TOTAL TEETH, 13 TEETH POSITIONS

**REVISIONS**

level	01
date	04/02/07
by	AAC
ECN #	010690
part level	-

**DIMENSIONS**

.XXXX =  
.XXX = NOTED  
.XX = NOTED  
.X =  
\_ =  
unless otherwise specified  
units inches/[mm]

**PART**

number	SNP3210	phase	PRODUCTION
name	SNAPPER 32 HOSE CLAMP		
material	ACETAL WHITE		

**DRAWING**

FORMAT C	version M	CAD	ACAD	scale	2X
computer file number	CP\GST\2032002_01				
previous number					
drawn	A.A.C.	checked	K.A.C.	approved	
date	04/02/07	date	04/02/07	approved	
type	CUSTOMER		sheet	1 of 1	
number	CP2032002CST				