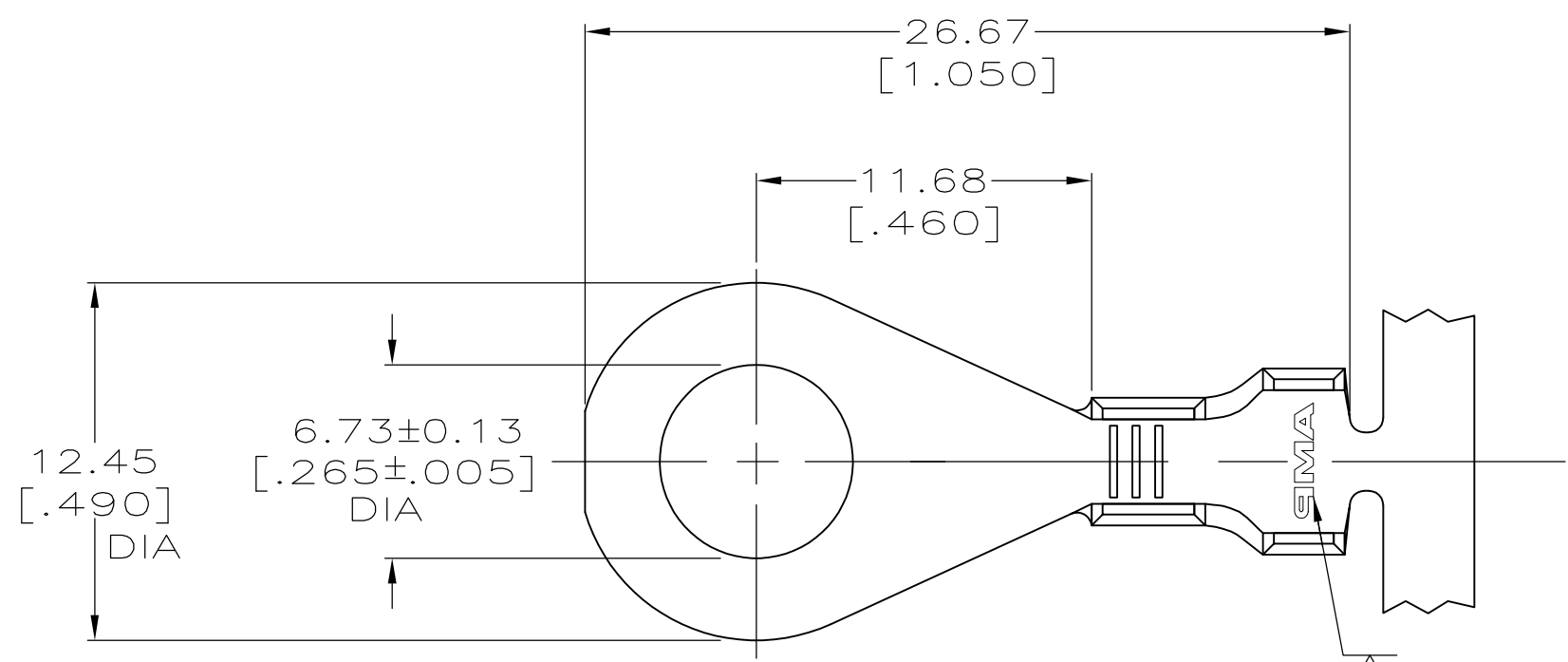
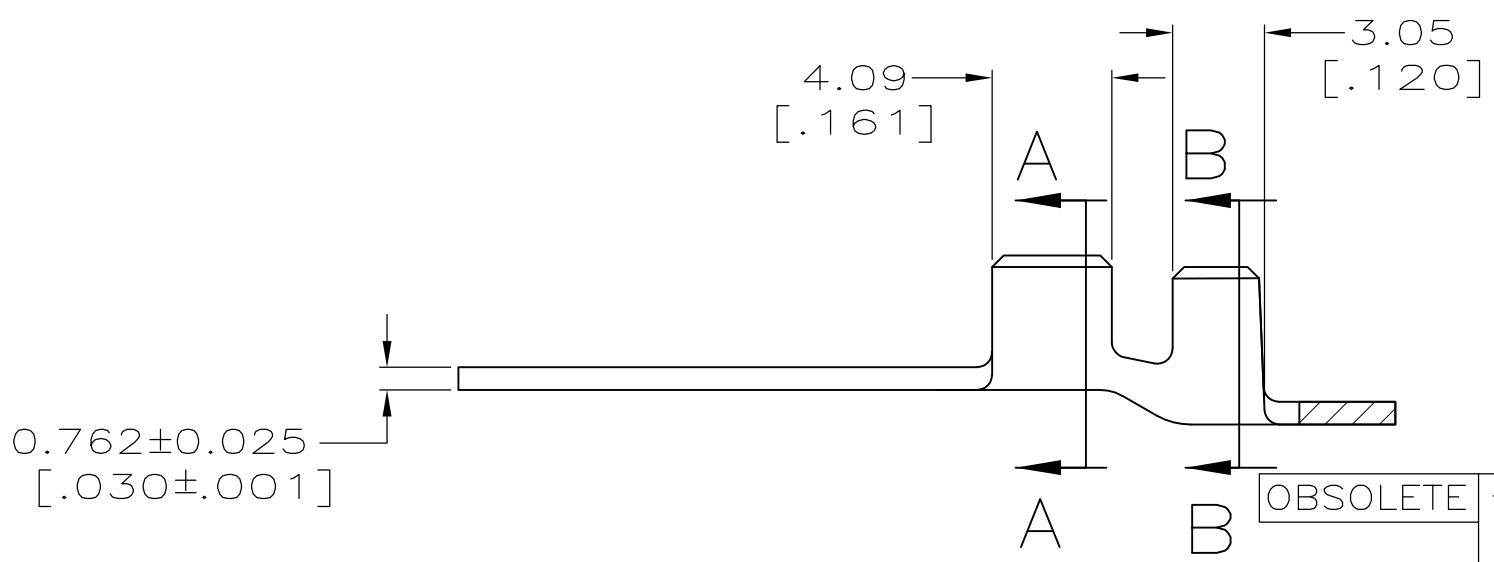
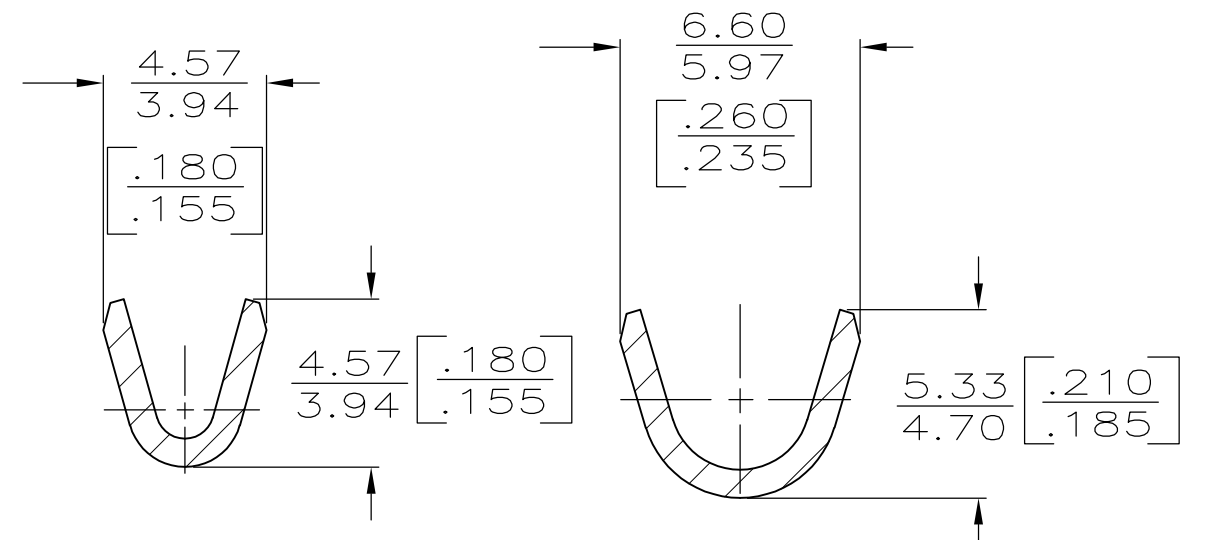


THIS DRAWING IS UNPUBLISHED. RELEASED FOR PUBLICATION  
 © COPYRIGHT - By - ALL RIGHTS RESERVED.

LOC	DIST	REVISIONS			
P	LTR	DESCRIPTION	DATE	DWN	APVD
AF	50	J2	REVISED PER ECR-11-009335	09AUG1	JR PD



- 1 CONTINUOUS STRIP ON REEL.
- 2 INSULATION RANGE:  
2.03-2.92 [.080-.115] F CRIMP  
2.92-3.81 [.115-.150] O CRIMP.
- 3 STAMPING:  
AMP FOR PART NO 61867-2  
AMP\* FOR PART NO 61867-3.



OBSOLETE	[18-14] AWG	H02 PHOS BRZ	61867-3
		082 BRASS	61867-2
INSULATION RANGE	WIRE RANGE	MATERIAL	PART NO

THIS DRAWING IS A CONTROLLED DOCUMENT.		DWN 2/16/94 PHILLIP M FORTNEY	<b>STE</b> TE Connectivity	
DIMENSIONS: INCHES		CHK 2/16/94 JEFF RUTH		
TOLERANCES UNLESS OTHERWISE SPECIFIED:		APVD 2/16/94 GARY YETTER	NAME	
0 PLC ± -		PRODUCT SPEC 2/16/94 RON KUZO	RING	
1 PLC ± -		APPLICATION SPEC	RESTRICTED TO	
2 PLC ± 0.25 [.010]		WEIGHT -	SIZE A3	CAGE CODE 00779
3 PLC ± -		CUSTOMER DRAWING	DRAWING NO C-61867	SCALE 4:1
4 PLC ± -			SHEET 1 OF 1	REV J2
ANGLES ± -				
FINISH TIN PLATE				