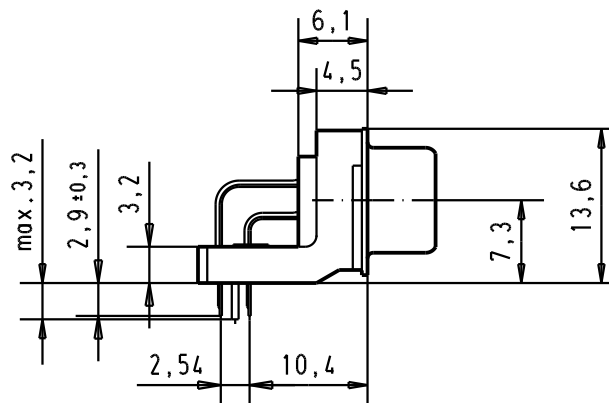
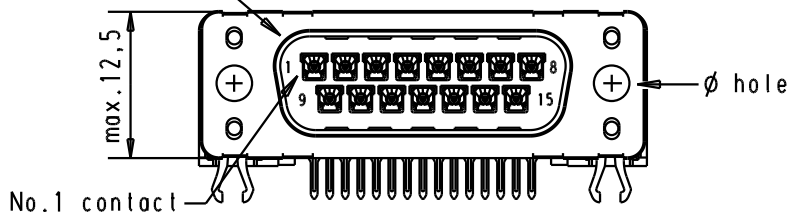
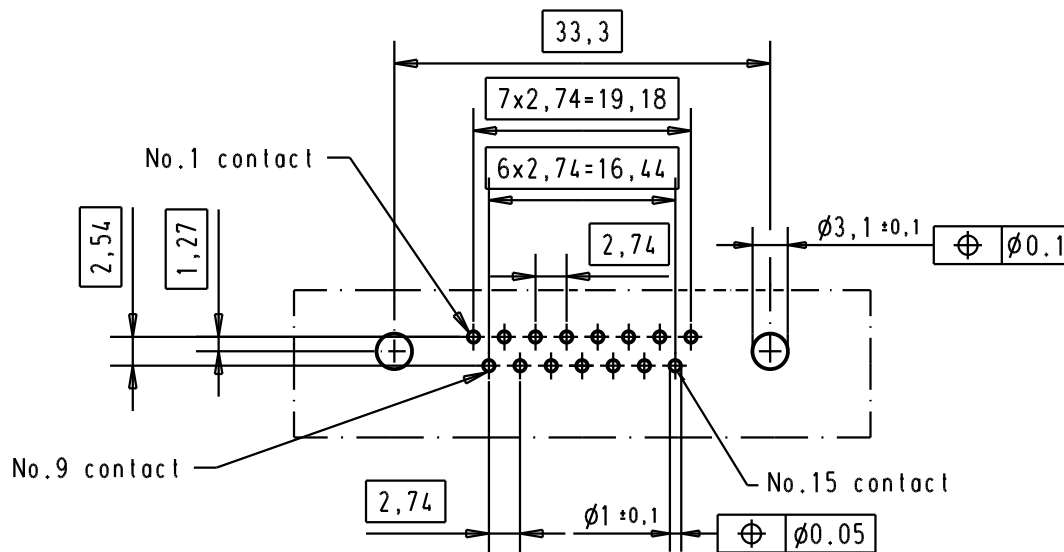
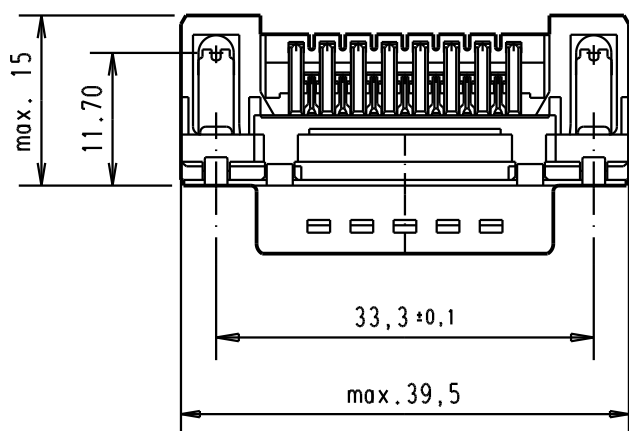


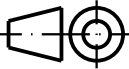

Mating face according to : MIL-C-24308 / DIN 41652 / CECC 75301-802



Printed board layout component side



Connector retention and insertion forces on the PCB = 25 / 80 newtons

A						Det.	Name	 All Dim. in mm Orig. Size DIN A 4	D-Sub, high temperature, male, standard, 15 poles, with solder pins 2.9, holes and grounding board lock	Moßstab/ Scale
						Detail. 05/03/02	CV			1.5:1
	09 65 266 3810	3.1 ± 0.1	1					 TB 0965266x81x	Blatt/ Page 1 /	
	09 65 266 6810	3.1 ± 0.1	2	31892	22/04/04	JH	HARTING EUROL F-95972 Paris			
	09 65 266 7810	3.1 ± 0.1	3	29723	05/03/02	CV				
	Part number	∅ hole	Performance level	Mod.	Det.	Name	Sub.			